

FACE VIEWS

M8 3 POLE		M8 4 POLE		M8 5 POLE	
Pin #.	Wire	Pin #.	Wire	Pin #.	Wire
1	Brown	1	Brown	1	Brown
2	-	2	White	2	White
3	Blue	3	Blue	3	Blue
4	Black	4	Black	4	Black
5	-	5	-	5	Grey

NUMERICAL CODE

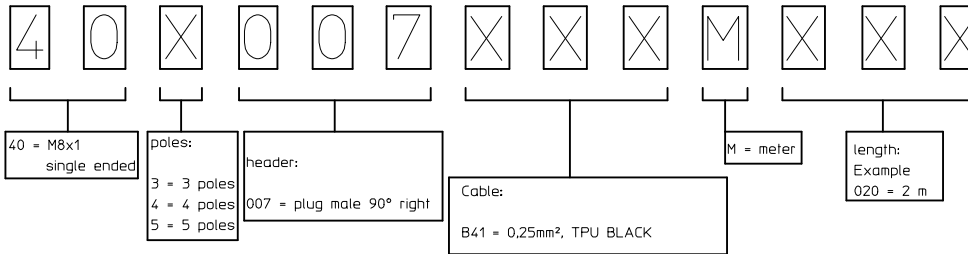
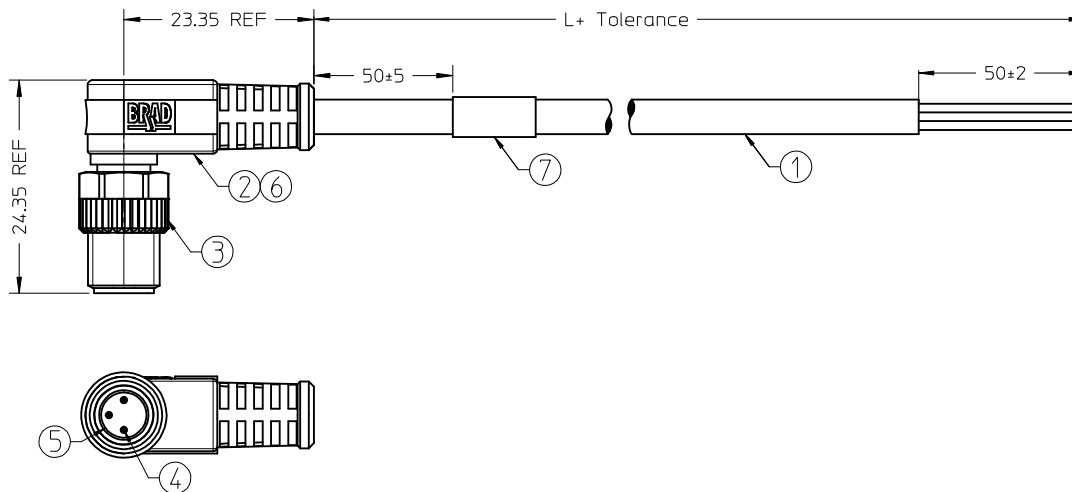


Table of length tolerances		
Over	Up to and including	Tolerancja (+)
0	1000	+40 0
1000	5000	+60 0
5000	10000	+80 0
10000	20000	+140 0
20000	30000	+160 0
30000	>	+1 % of length

MALE RIGHT ANGLED PLUG
M8 PLUG

NOTES

Temperatur Range	-25°C/+80°C
Contact Current Rating	3A
Voltage Rating	3 poles 60V
	4-5 poles 30V
Protection class	IP 67



Bill of Materials

ITEM	QTY.	DESCRIPTION	MATERIAL	FINISH
7	1	LABEL	-	-
6	1	M8 MALE SLEEVE	BRASS	Cu/Ni3
5	1	M8 MALE INSERT	ELASTOLLAN	BLACK
4	X	CONTACT MALE	BRASS	Cu/Ni
3	1	M8 HEX KNU MALE NUT	BRASS	Ni3
2	-	MOLDING NATURAL	TPU	BLACK
1	-	CABLE Xx0.25 [mm²]	TPU	BLACK

TITLE BLOCK UPDATED EC NO: IPG2015-1097 DRWN: MISTRASZKIEWI 2014/09/16 CHYK: JMARSZALEK 2014/09/16 APPR: MIWASIECZKO 2015/01/29	QUALITY SYMBOLS ▽=0 ▽=0	GENERAL TOLERANCES (UNLESS SPECIFIED)		DIMENSION STYLE MM ONLY	SCALE ---	DESIGN UNITS METRIC	THIRD ANGLE PROJECTION
		4 PLACES ± --- ± --- 3 PLACES ± --- ± --- 2 PLACES ± --- ± --- 1 PLACE ± --- ± --- 0 PLACE ± --- ± ---	mm INCH	DRAWN BY DATE WSTRASZKIEWI 2014/09/02	TITLE CSE M8 XP AC MA RA TPU XM		
		ANGULAR ± 1 °	CHECKED BY DATE JMARSZALEK 2014/09/02	APPROVED BY DATE MIWASIECZKO 2014/09/08	molex		
		DRAFT WHERE APPLICABLE MUST REMAIN WITHIN DIMENSIONS	MATERIAL NO. SEE TABLE 1	DOCUMENT NO. SD-120086-008	SHEET NO. 1 OF 2		

FACE VIEWS

M8 3 POLE		M8 4 POLE		M8 5 POLE	
Pin #.	Wire	Pin #.	Wire	Pin #.	Wire
1	Brown	1	Brown	1	Brown
2	-	2	White	2	White
3	Blue	3	Blue	3	Blue
4	Black	4	Black	4	Black
5	-	5	-	5	Grey

NUMERICAL CODE

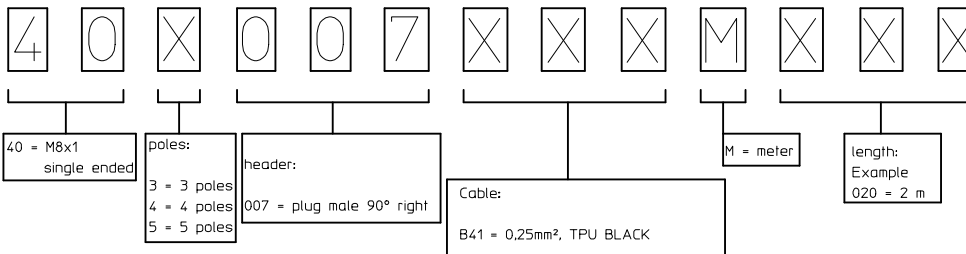
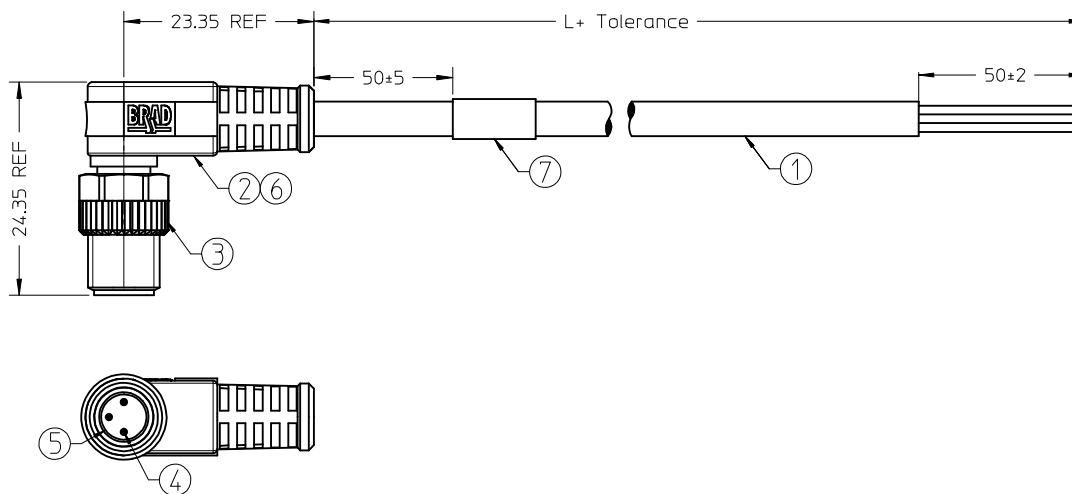


Table of length tolerances		
Over	Up to and including	Tolerancja (+)
0	1000	+40 0
1000	5000	+60 0
5000	10000	+80 0
10000	20000	+140 0
20000	30000	+160 0
30000	>	+1 % of length

MALE RIGHT ANGLED PLUG
M8 PLUG

NOTES

Temperatur Range	-25°C/+80°C
Contact Current Rating	3A
Voltage Rating	3 poles 60V
	4-5 poles 30V
Protection class	IP 67



Bill of Materials

ITEM	QTY.	DESCRIPTION	MATERIAL	FINISH
7	1	LABEL	-	-
6	1	M8 MALE SLEEVE	BRASS	Cu/Ni3
5	1	M8 MALE INSERT	ELASTOLLAN	BLACK
4	X	CONTACT MALE	BRASS	Cu/Ni
3	1	M8 HEX KNU MALE NUT	BRASS	Ni3
2	-	MOLDING NATURAL	TPU	BLACK
1	-	CABLE Xx0.25 [mm ²]	TPU	BLACK

TITLE BLOCK UPDATED	EC NO: PG2015-1097	DRWN:WSTRASZKIEWI 2014/09/16	CHKD: JMARSZALEK 2014/09/16	APPR: MIWASIECZKO 2015/01/29	QUALITY SYMBOLS	GENERAL TOLERANCES (UNLESS SPECIFIED)		DIMENSION STYLE	SCALE	DESIGN UNITS	THIRD ANGLE PROJECTION
						mm	INCH	MM ONLY	---	METRIC	☉
TITLE BLOCK UPDATED EC NO: PG2015-1097 DRWN:WSTRASZKIEWI 2014/09/16 CHKD: JMARSZALEK 2014/09/16 APPR: MIWASIECZKO 2015/01/29	DESCRIPTION REV	4 PLACES	± ---	± ---	DRAWN BY DATE WSTRASZKIEWI 2014/09/02 CHECKED BY DATE JMARSZALEK 2014/09/02 APPROVED BY DATE MIWASIECZKO 2014/09/08 MATERIAL NO. SEE TABLE 1	DIMENSION STYLE MM ONLY	SCALE ---	DESIGN UNITS METRIC	THIRD ANGLE PROJECTION ☉	TITLE CSE M8 XP AC MA RA TPU XM	
		3 PLACES	± ---	± ---							
		2 PLACES	± ---	± ---							
		1 PLACE	± ---	± ---							
		0 PLACE	± ---	± ---							
ANGULAR ± 1 °						DOCUMENT NO. SD-120086-008	SHEET NO. 1 OF 2				
DRAFT WHERE APPLICABLE MUST REMAIN WITHIN DIMENSIONS											
THIS DRAWING CONTAINS INFORMATION THAT IS PROPRIETARY TO MOLEX INCORPORATED AND SHOULD NOT BE USED WITHOUT WRITTEN PERMISSION											

F

E

D

C

B

A

TABLE 1

MOLEX PN	ENGINEERING No.
1200868643	403007B41M010
1200868644	403007B41M020
1200868645	403007B41M050
1200868646	403007B41M100
1200868647	404007B41M010
1200868648	404007B41M020
1200868649	404007B41M050
1200868650	404007B41M100
1200868651	405007B41M010
1200868652	405007B41M020
1200868653	405007B41M050
1200868654	405007B41M100

CABLE SPECYFICATION

CABLE TYPE	WIRE GAUGE	CABLE JACKET	UL	CSA	static	flexing	drag chain tested	other
B41	0.25mm ²	TPU black	STYLE 21215	yes	-40°C to +90°C 5xD	-25°C to +80°C 7.5xD	5 mio cycles	WELD SLAG RESISTANCE

For Raw Cable Specification see SD-120209-006

TITLE BLOCK UPDATED EC NO: IPG2015-1097 DRWN:WSTRASZKIEWI 2014/09/16 CHKD:JMARSZALEK 2014/09/16 APPR:MIWASIECZKO 2015/01/29	DESCRIPTION REV	QUALITY SYMBOLS	GENERAL TOLERANCES (UNLESS SPECIFIED)	DIMENSION STYLE	SCALE	DESIGN UNITS	THIRD ANGLE PROJECTION		
		▼=0 □=0	mm INCH 4 PLACES ± --- ± --- 3 PLACES ± --- ± --- 2 PLACES ± --- ± --- 1 PLACE ± --- ± --- 0 PLACE ± --- ± ---	MM ONLY	---	METRIC	DRAWN BY DATE WSTRASZKIEWI 2014/09/02 CHECKED BY DATE JMARSZALEK 2014/09/02 APPROVED BY DATE MIWASIECZKO 2014/09/08	TITLE	CSE M8 XP AC MA RA TPU XM
		ANGULAR ± 1 ° DRAFT WHERE APPLICABLE MUST REMAIN WITHIN DIMENSIONS	SEE TABLE 1	MATERIAL NO.	DOCUMENT NO.	SHEET NO.	molex		
				SD-120086-008	2 OF 2				
		THIS DRAWING CONTAINS INFORMATION THAT IS PROPRIETARY TO MOLEX INCORPORATED AND SHOULD NOT BE USED WITHOUT WRITTEN PERMISSION							

F

E

D

C

B

A

F

E

D

C

B

A

TABLE 1

MOLEX PN	ENGINEERING No.
1200868643	403007B41M010
1200868644	403007B41M020
1200868645	403007B41M050
1200868646	403007B41M100
1200868647	404007B41M010
1200868648	404007B41M020
1200868649	404007B41M050
1200868650	404007B41M100
1200868651	405007B41M010
1200868652	405007B41M020
1200868653	405007B41M050
1200868654	405007B41M100

CABLE SPECYFICATION

CABLE TYPE	WIRE GAUGE	CABLE JACKET	UL	CSA	static	flexing	drag chain tested	other
B41	0.25mm ²	TPU black	STYLE 21215	yes	-40°C to +90°C 5xD	-25°C to +80°C 7.5xD	5 mio cycles	WELD SLAG RESISTANCE

For Raw Cable Specification see SD-120209-006

TITLE BLOCK UPDATED EC NO: IPG2015-1097 DRWN:WSTRASZKIEWI 2014/09/16 CHKD:JMARSZALEK 2014/09/16 APPR:MIWASIECZKO 2015/01/29	DESCRIPTION REV	QUALITY SYMBOLS	GENERAL TOLERANCES (UNLESS SPECIFIED)	DIMENSION STYLE	SCALE	DESIGN UNITS	THIRD ANGLE PROJECTION		
		▼=0 □=0	mm INCH 4 PLACES ± --- ± --- 3 PLACES ± --- ± --- 2 PLACES ± --- ± --- 1 PLACE ± --- ± --- 0 PLACE ± --- ± ---	MM ONLY	---	METRIC	DRAWN BY DATE WSTRASZKIEWI 2014/09/02 CHECKED BY DATE JMARSZALEK 2014/09/02 APPROVED BY DATE MIWASIECZKO 2014/09/08	TITLE	CSE M8 XP AC MA RA TPU XM
		ANGULAR ± 1 ° DRAFT WHERE APPLICABLE MUST REMAIN WITHIN DIMENSIONS	SEE TABLE 1	MATERIAL NO.	DOCUMENT NO.	SHEET NO.	molex		
				SD-120086-008	2 OF 2				
		THIS DRAWING CONTAINS INFORMATION THAT IS PROPRIETARY TO MOLEX INCORPORATED AND SHOULD NOT BE USED WITHOUT WRITTEN PERMISSION							