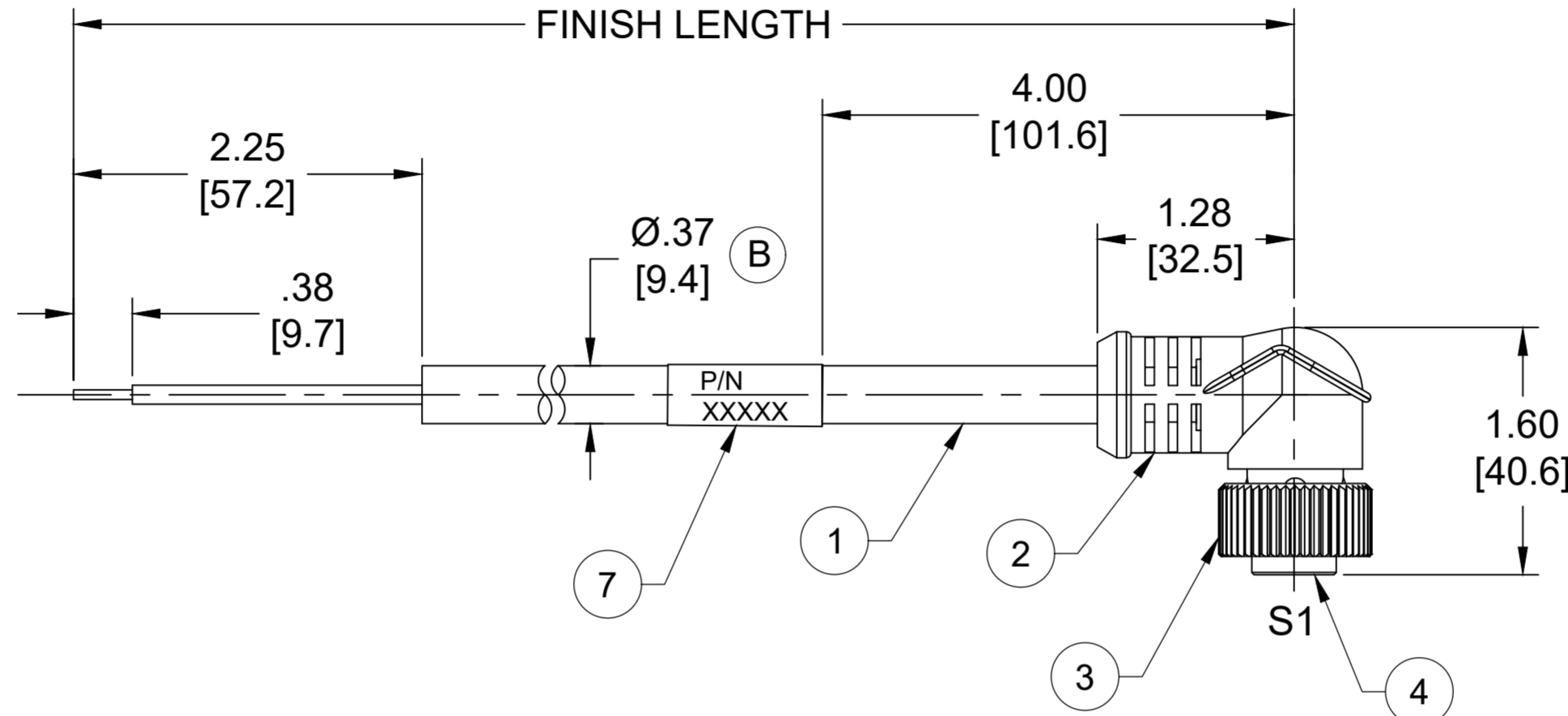
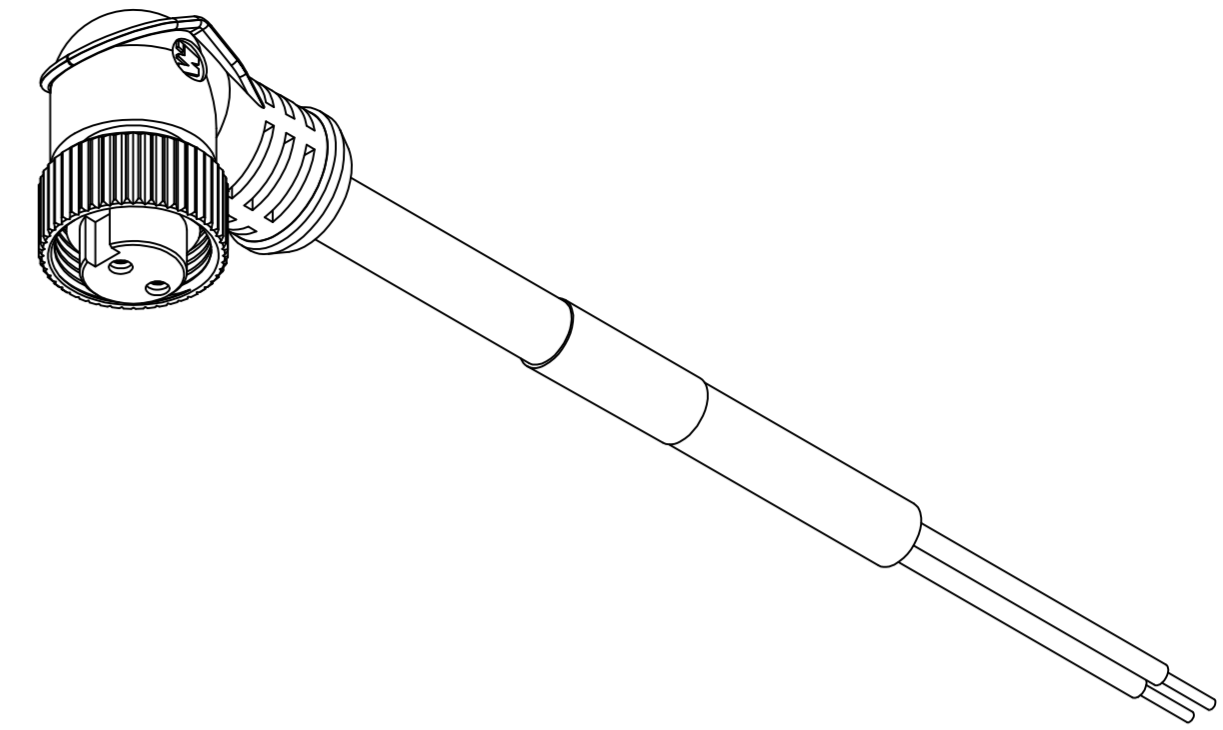


| PART NO.   | ENGINEERING NO. | FINISHED LENGTH |
|------------|-----------------|-----------------|
| 1300060134 | 102001A01F030   | 3FT [0.9M]      |
| 1300060141 | 102001A01F120   | 12FT [3.7M]     |
| 1300062368 | 102001A01F600   | 60FT [18.3M]    |

## PART NUMBER LEGEND

102001A01F030

CABLE LENGTH  
 F050 = 5 FEET  
 F100 = 10 FEET  
 F150 = 15 FEET

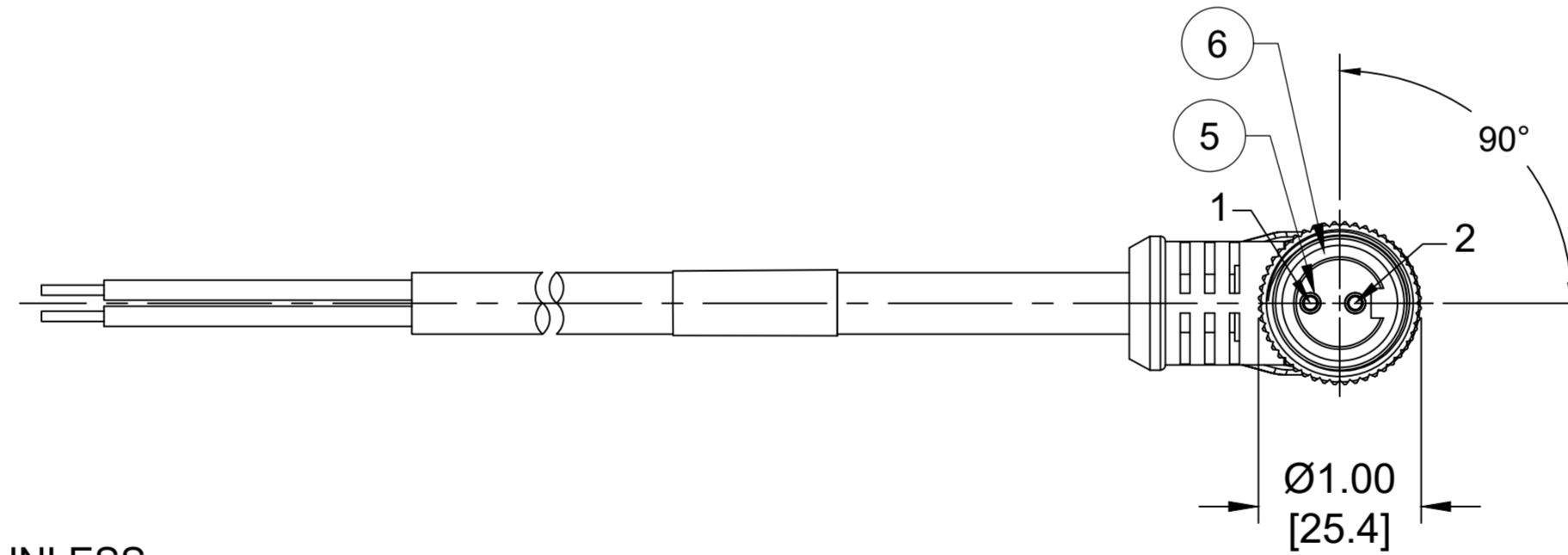


### NOTES:

- MATERIAL: AS NOTED
- FINISH: AS NOTED
- ELECTRICAL:  
 VOLTAGE : 500V PER IEC60664  
 600V PER UL2238  
 CURRENT: 13A
- TEMP RATING: -20° TO +105°C
- PROTECTION: IP67 (WHEN MATED)
- COUPLING THREAD: 7/8"-16UN
- UL RECOGNIZED FILE: E152210  
 CSA CERTIFIED FILE: LR6837
- ALL DIMENSIONS ARE FOR REFERENCE UNLESS TOLERANCED OR NOTED OTHERWISE

|       | S1 |
|-------|----|
| WHITE | 1  |
| BLACK | 2  |

### WIRING DIAGRAM



### FEMALE FACE VIEW

**CABLE LENGTH TOLERANCES**

|                          |                         |
|--------------------------|-------------------------|
| <.3M [1FT]:              | +19mm-0 [+.75in-0]      |
| .3 - .9M [1 - 3FT]:      | +44.5mm-0 [+1.75in-0]   |
| .9 - 1.8M [3 - 6FT]:     | +55.6mm-0 [+2.19in-0]   |
| 1.8 - 3.7M [6 - 12FT]:   | +88.9mm-0 [+3.50in-0]   |
| 3.7 - 7.3M [12 - 24FT]:  | +165.1mm-0 [+6.50in-0]  |
| 7.3-14.6M [24 - 48FT]:   | +317.5mm-0 [+12.50in-0] |
| 14.6 - 30.5M [48-100FT]: | +622.3mm-0 [+24.50in-0] |
| OVER 30M [100FT]         | +2% OF FINISHED LENGTH  |

| ITEM | COMPONENT              | MATERIAL      | FINISH           |
|------|------------------------|---------------|------------------|
| 7    | WRAP LABEL             | VINYL         | BLACK/YELLOW     |
| 6    | FRICION RING           | NYLON         | WHITE            |
| 5    | CONTACT SOCKET         | COPPER ALLOY  | GOLD OVER NICKEL |
| 4    | INSERT                 | TPE           | YELLOW           |
| 3    | COUPLING NUT           | ZINC DIE CAST | BLACK-E-COAT     |
| 2    | OVERMOLD               | TPE           | YELLOW           |
| 1    | CABLE, 16 AWG STOOW/ST | PVC           | YELLOW           |

|  |                                       |                           |   |                                       |
|--|---------------------------------------|---------------------------|---|---------------------------------------|
| FUNCTIONAL SYMBOLS<br>FA=0<br>FC=0<br>FD=0           | DIMENSION UNITS<br><b>INCH/MM</b>     | SCALE<br><b>NTS</b>       | CURRENT REV DESC: ITEM# 2 & 4 WERE PVC. ITEM #7 WAS PLASTIC FILM. ADDED FRICTION RING, IEC VOLTAGE, PN LEGEND, CABLE DIA & TOL CHART. MODIFIED PN CHART |                                       |
|  | GENERAL TOLERANCES (UNLESS SPECIFIED) |                           | EC NO: 702709   | DRWN: ABENJAMINLW 2021/05/18          |
| DIVISIONAL SYMBOLS                                   | 4 PLACES ±----                        | ±----                     | CHK'D: RSTONE 2022/04/11  | APPR: BWOODMAN 2022/04/16             |
|  | 3 PLACES ±----                        | ±----                     | INITIAL REVISION:   |                                       |
| 2 PLACES ±----                                       | ±----                                 | DRWN: TWOLDEGE 2009/07/29 | DOCUMENT NUMBER: <b>SD-130006-014</b>   |                                       |
| 1 PLACE ±----  | ±----                                 | APPR: JFMURPHY 2009/08/10 | CUSTOMER: GENERAL MARKET  | DOC TYPE/DOC PART/REVISION: PSD 001 B |
| 0 PLACES ±----                                       | ±----                                 | ANGULAR TOL ± ---- °      | MATERIAL NUMBER: SEE CHART  | SHEET NUMBER: 1 OF 1                  |
| DRAFT WHERE APPLICABLE MUST REMAIN WITHIN DIMENSIONS |                                       | THIRD ANGLE PROJECTION    | DRAWING: C-SIZE   | SERIES: 130006                        |

**molex**

MINI-CHANGE CORDSET, A-SIZE  
 2-POLE, FEMALE, 90DEG, SINGLE KEY,  
 #16 AWG

PRODUCT CUSTOMER DRAWING