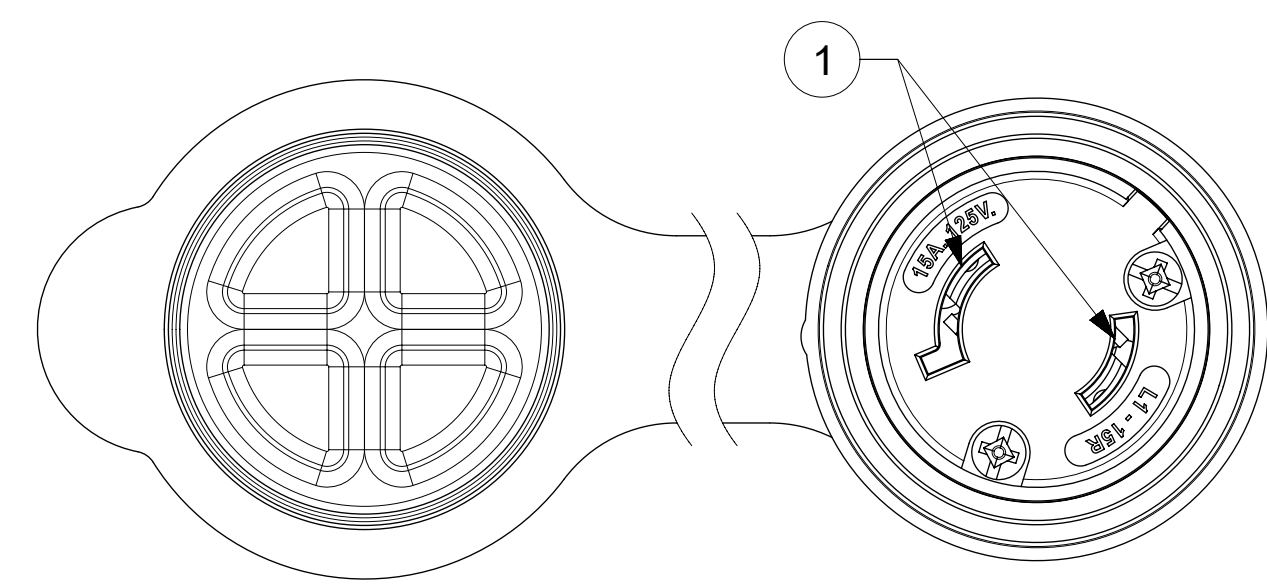
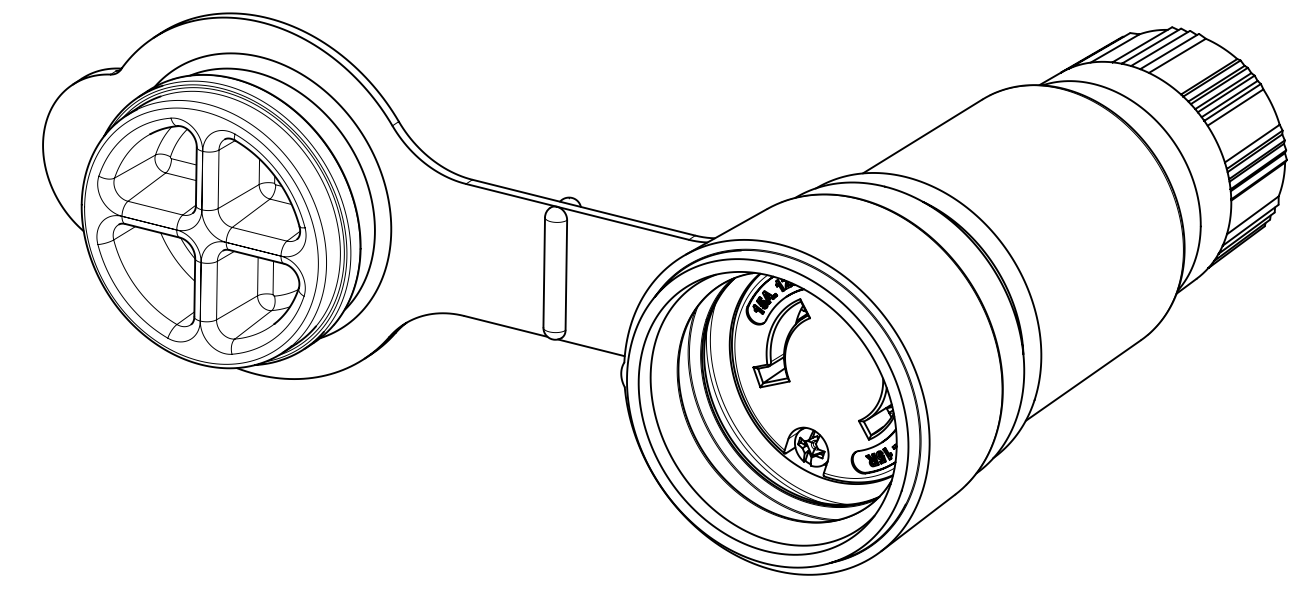
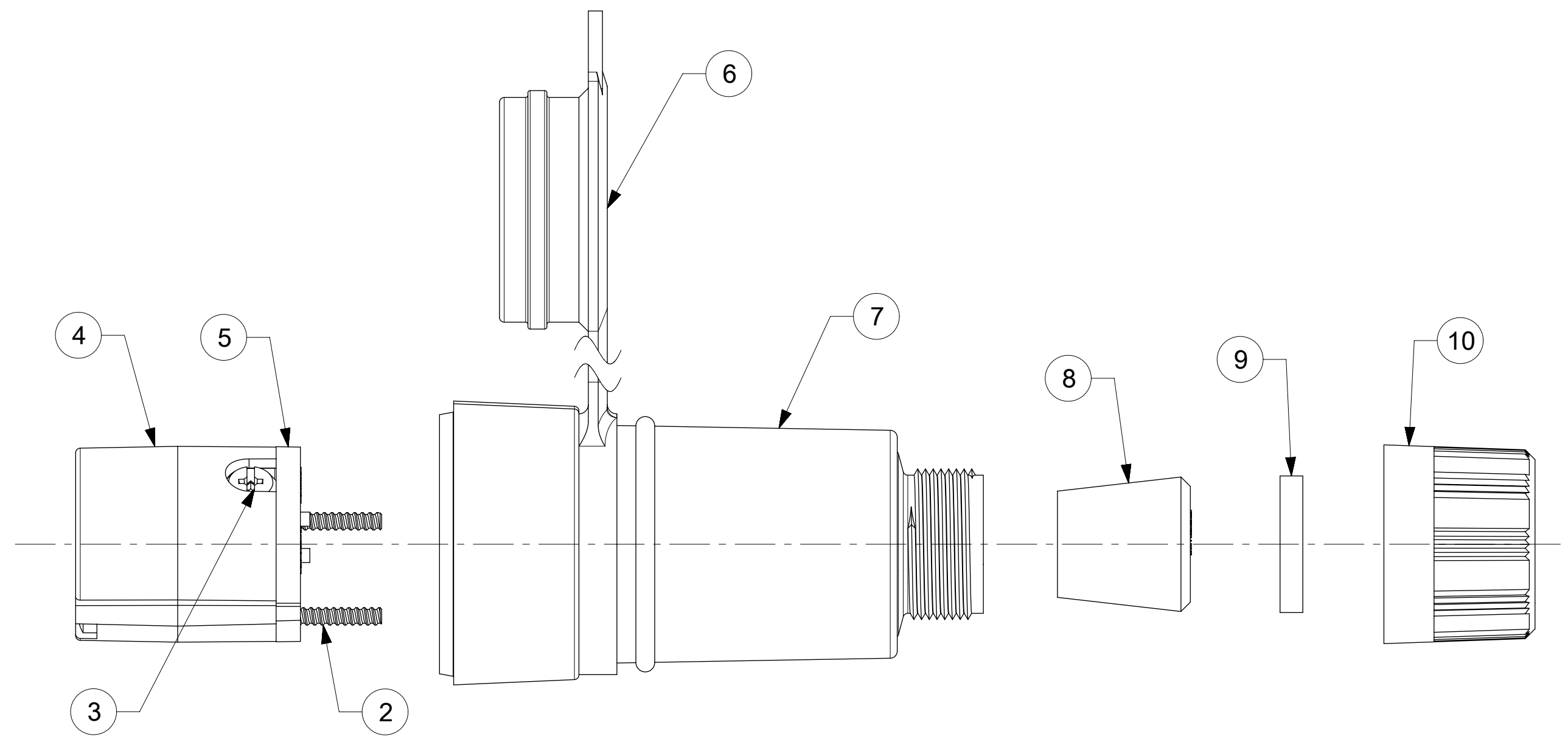
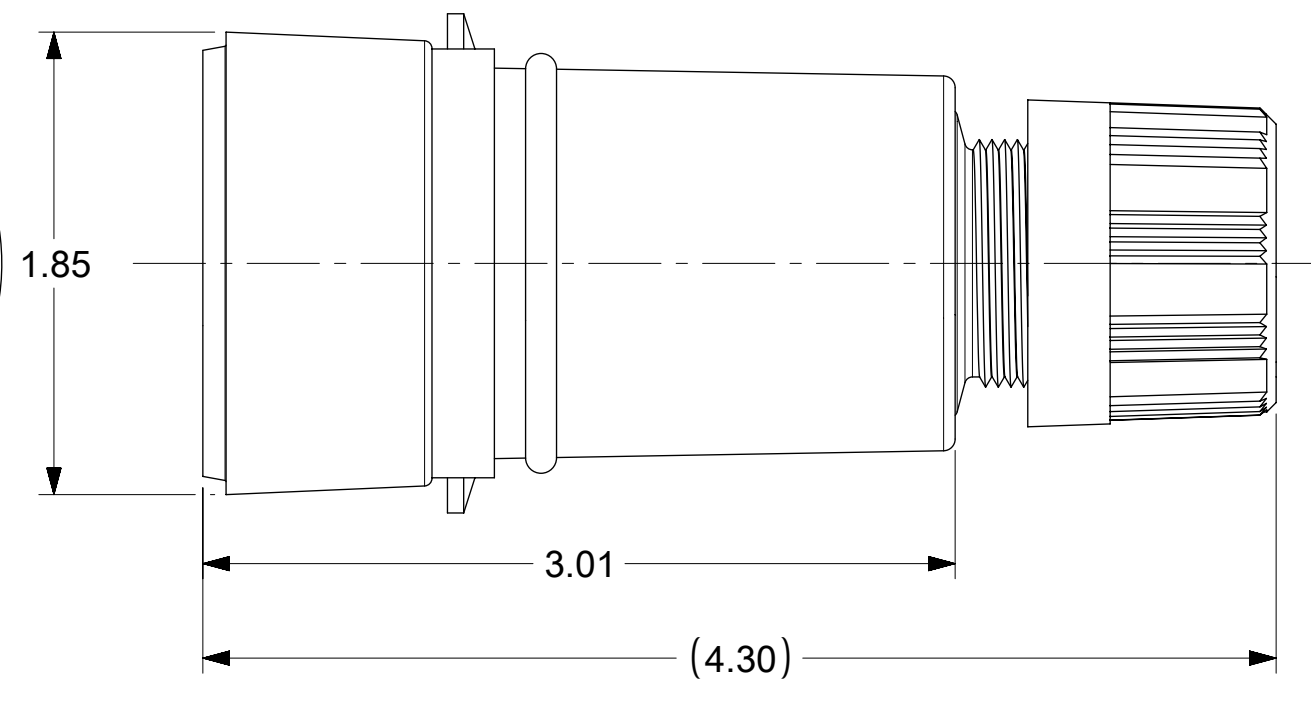


ORDER NO.	WOODHEAD NO.	COLOR
130146-0212	25W04-P	YELLOW



FACE VIEW



NOTES:

1. SEE INSTRUCTION SHEET NUMBER 1301414770 FOR PRODUCT SPECIFICATION.
2. CABLE RANGE FROM 0.375" TO 0.625"

ITEM NO.	DESCRIPTIONS	MATERIAL	QTY.
1	BLADES	BRASS	2
2	RETAINING SCREWS	STAINLESS STEEL	2
3	TERMINAL SCREWS	BRASS, ZINC PLATED	2
4	INSERT	NYLON	1
5	TERMINAL COVER	POLYCARBONATE	1
6	FLIP COVER	SILICON	1
7	HOUSING	RUBBER WITH NYLON THREAD	1
8	GROMMETS	RUBBER	5
9	FRICTION RING	NYLON	1
10	COMPRESSION NUT	NYLON	1

SYMBOLS		THIS DRAWING CONTAINS INFORMATION THAT IS PROPRIETARY TO MOLEX ELECTRONIC TECHNOLOGIES, LLC AND SHOULD NOT BE USED WITHOUT WRITTEN PERMISSION		CURRENT REV DESC: RELEASED		molex	
▽ = 0	DIMENSION UNITS	SCALE					
▽ = 0	INCH	NTS				WATERTITE CONNECTOR, L1-15R	
▽ = 0	GENERAL TOLERANCES (UNLESS SPECIFIED)		EC NO: 614930			PRODUCT CUSTOMER DRAWING	
▽ = 0	ANGULAR TOL	± 0.5°	DRWN: VASUTHKARP 2019/04/04			DOCUMENT NUMBER	
▽ = 0	4 PLACES	±	CHK'D: DNGUYEN62 2019/04/04			DOC TYPE DOC PART REVISION	
▽ = 0	3 PLACES	± 0.005	APPR: HKNEELAND 2019/04/04			1301460212 PSD 000 A1	
▽ = 0	2 PLACES	± 0.01	INITIAL REVISION:			MATERIAL NUMBER	
▽ = 0	1 PLACE	± 0.02	DRWN: ABABU01 2018/11/27			CUSTOMER	
▽ = 0	0 PLACES	±	APPR: HKNEELAND 2019/03/21			SHEET NUMBER	
▽ = 0	DRAFT WHERE APPLICABLE MUST REMAIN WITHIN DIMENSIONS		THIRD ANGLE PROJECTION	DRAWING	SERIES	SEE TABLE GENERAL MARKET 1 OF 1	
▽ = 0			⊕	C-SIZE	130146		