

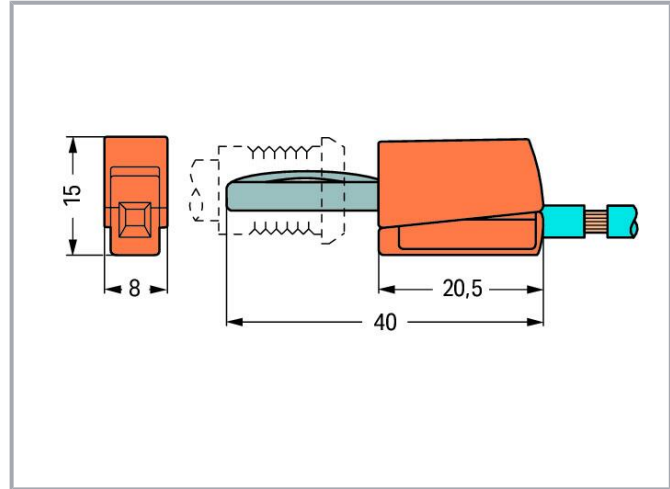
Data sheet | Item number: 215-611

Banana plug; for socket 4 mm Ø; 2,50 mm²; white

www.wago.com/215-611



Color:



Data

Technical data

Main product function	Testing accessories
Total number of potentials	1

Electrical data

Rated current	20 A
Test voltage	42 V

Connection data

Connection technology	CAGE CLAMP®
Strip length	9 ... 11 mm / 0.35 ... 0.43 inches
Connection points	1
Solid conductor	0.08 ... 2.5 mm ² / 28 ... 14 AWG
Fine-stranded conductor	0.08 ... 2.5 mm ² / 28 ... 14 AWG

Subject to changes. Please also observe the further product documentation!

WAGO GmbH & Co. KG
Hansastr. 27
32423 Minden
Phone: +49571 887-0 | Fax: +49571 887-169
Email: info.de@wago.com | Web: www.wago.com

Do you have any questions about our products?
We are always happy to take your call at +49 (571) 887-44222.



Physical data

Width	8 mm / 0.315 inches
Height	15 mm / 0.591 inches
Depth	40 mm / 1.575 inches

Material Data

Color	white
Fire load	0.066 MJ
Weight	3.9 g

Commercial data

Product Group	2 (Terminal Block Accessories)
eCl@ss 10.0	27-44-03-13
eCl@ss 9.0	27-44-03-13
ETIM 8.0	EC002255
ETIM 7.0	EC002255
PU (SPU)	50 pcs
Packaging type	box
Country of origin	DE
GTIN	4045454293536
Customs tariff number	85366990990

Environmental Product Compliance

CAS-No.	7439-92-1
REACH Candidate List Substance	Lead
RoHS Compliance Status	Compliant,With Exemption
RoHS Exemption	6(c)
SCIP notification number (Austria)	b7b385cf-ea1d-4594-b31a-375af4f58719
SCIP notification number (Belgium)	0a532542-1561-4b87-b840-92102ad63751
SCIP notification number (Bulgaria)	d2a58975-204f-4ea0-ba7f-e36ed1cee6fe
SCIP notification number (Czech Republic)	4c1a41f7-d382-475c-9325-842940f1be00
SCIP notification number (Denmark)	c23c1d6d-7032-4321-a4e3-bbfc40971ed8
SCIP notification number (Finland)	1a546ffa-3503-4972-80ca-6666cf2ab451
SCIP notification number (France)	f889779b-0df1-42dc-b578-cbde967c0ea6
SCIP notification number (Germany)	6022578d-1e7e-4789-b421-b986fdbe7c97

Subject to changes. Please also observe the further product documentation!

WAGO GmbH & Co. KG
 Hansastr. 27
 32423 Minden
 Phone: +49571 887-0 | Fax: +49571 887-169
 Email: info.de@wago.com | Web: www.wago.com

Do you have any questions about our products?
 We are always happy to take your call at +49 (571) 887-44222.



SCIP notification number (Hungary)	1bda8f86-b632-49ba-80b8-f1b73ad10640
SCIP notification number (Italy)	7c67c7c4-c389-4227-aeeb-0a855a1d8593
SCIP notification number (Netherlands)	3518980c-ff2b-4af6-b8f3-d6bf91b57dd9
SCIP notification number (Poland)	e3d4be3c-156d-421a-879f-21ac1e89722e
SCIP notification number (Romania)	6cf5dc75-bf4c-4ca1-8764-1473f26651a9
SCIP notification number (Sweden)	cc190a0e-d560-4fd1-b1ae-3d3b4a9f0087

Downloads

Documentation

Bid Text

215-611 X81 - Datei	2019 Feb 19	xml 3.1 kB	Download
215-611 doc - Datei	2017 Sep 19	doc 25.1 kB	Download

CAD/CAE-Data

CAE data

EPLAN Data Portal 215-611	URL	Download
WSCAD Universe 215-611	URL	Download

Environmental Product Compliance

Compliance Search

Environmental Product Compliance 215-611 Banana plug; for socket 4 mm Ø; 2,50 mm ² ; white	URL	Download
--	-----	----------

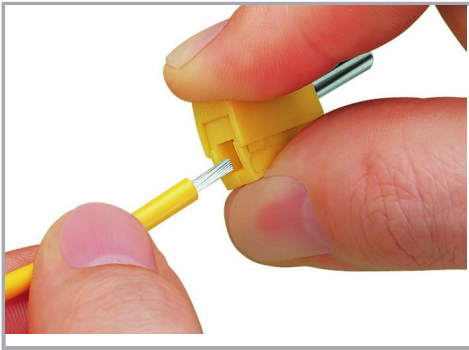
Installation Notes

Conductor termination

Subject to changes. Please also observe the further product documentation!

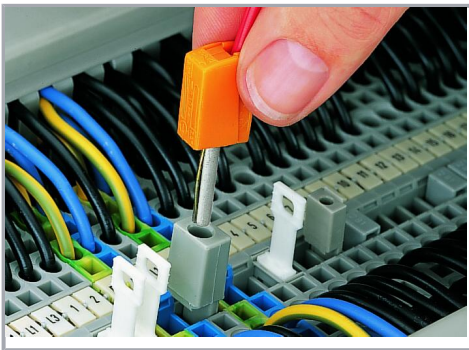
WAGO GmbH & Co. KG
 Hansastr. 27
 32423 Minden
 Phone: +49571 887-0 | Fax: +49571 887-169
 Email: info.de@wago.com | Web: www.wago.com

Do you have any questions about our products?
 We are always happy to take your call at +49 (571) 887-44222.



Conductor termination: Press button fully, insert stripped conductor into square entry and release.

Testing



Testing via banana plug.

Picture shows a test plug adapter (209-170).

Subject to changes. Please also observe the further product documentation!