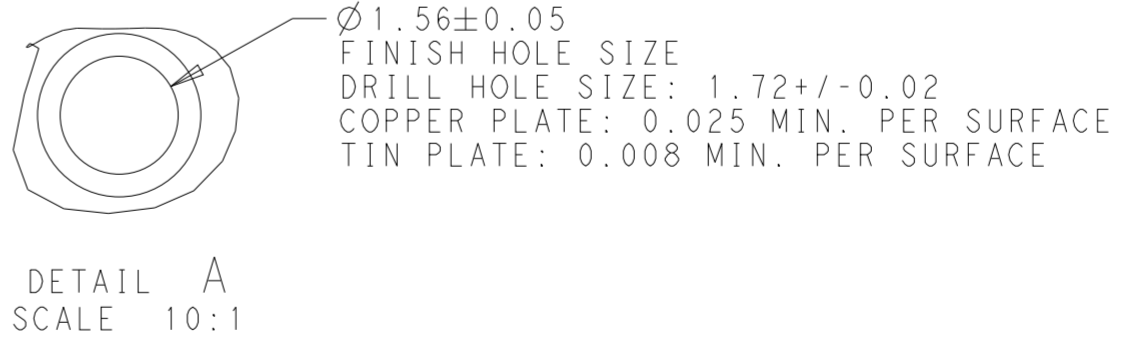
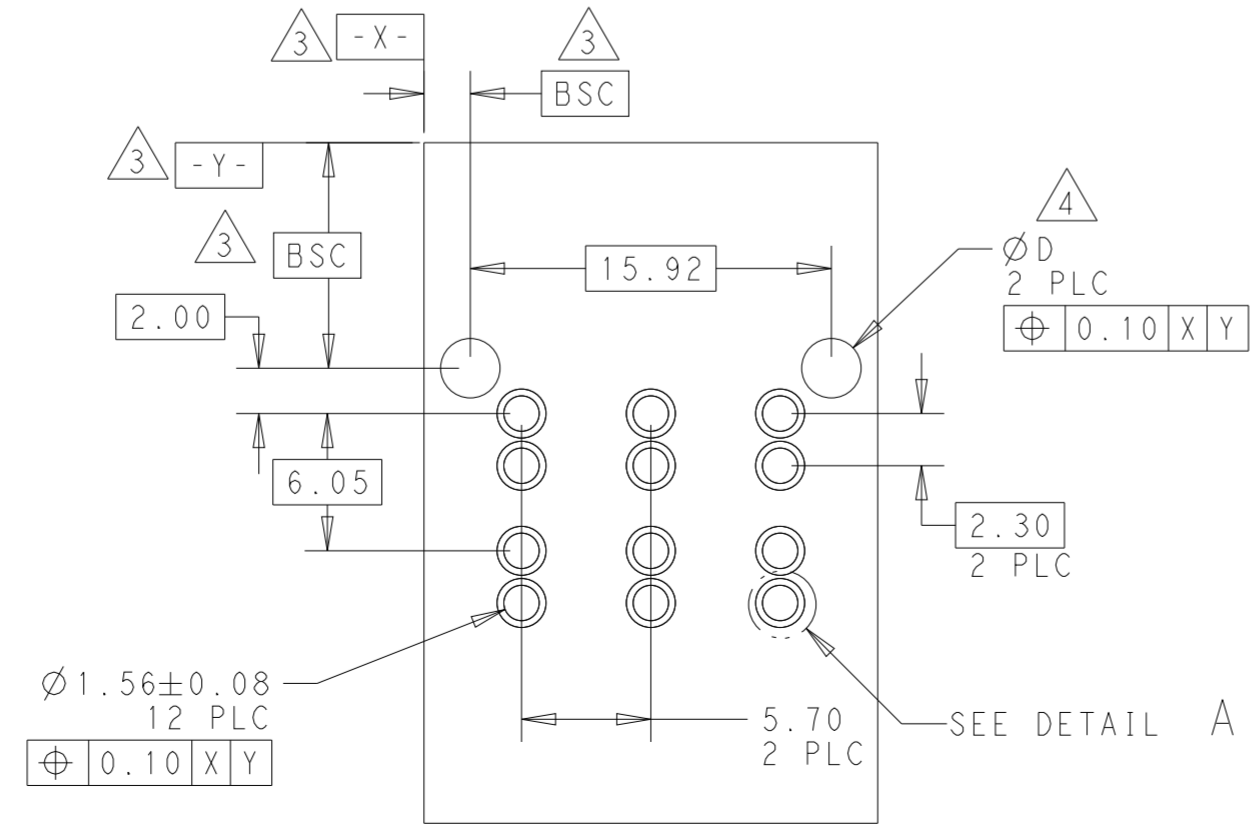
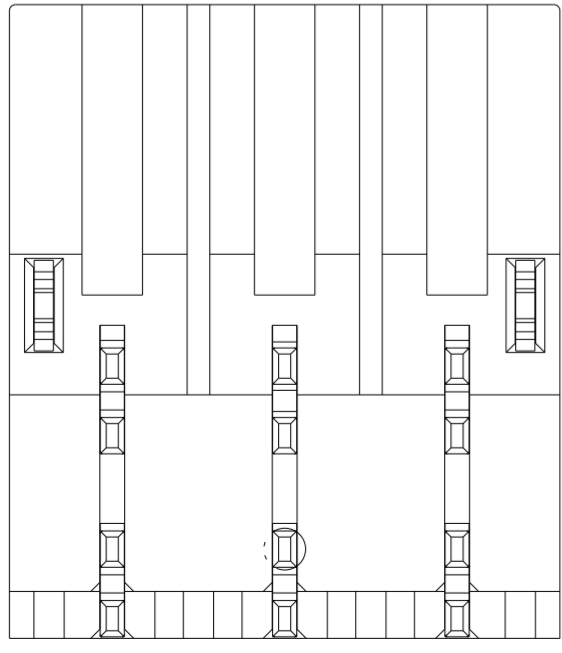
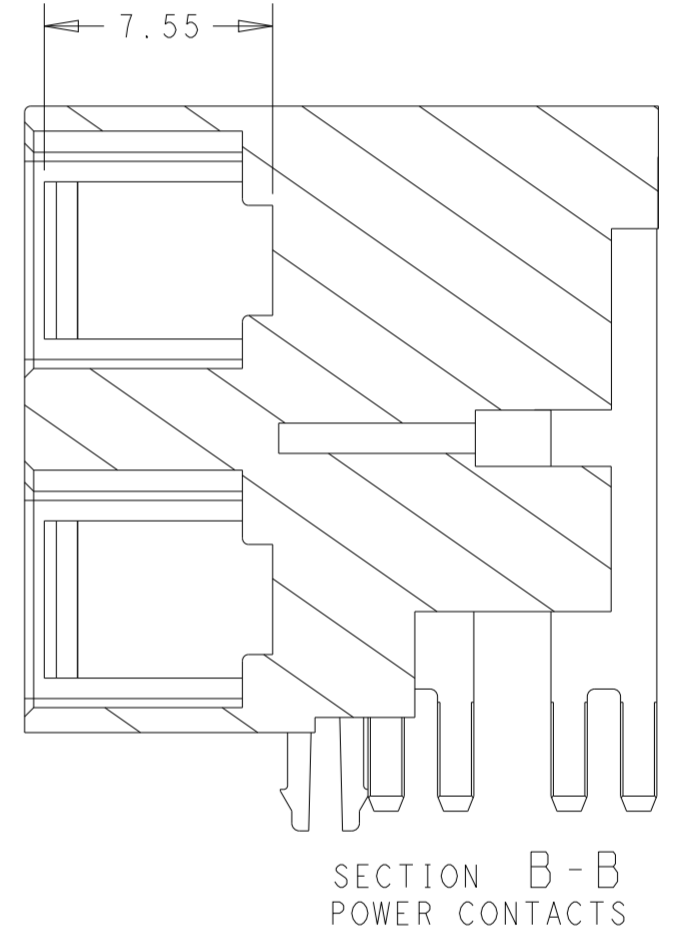
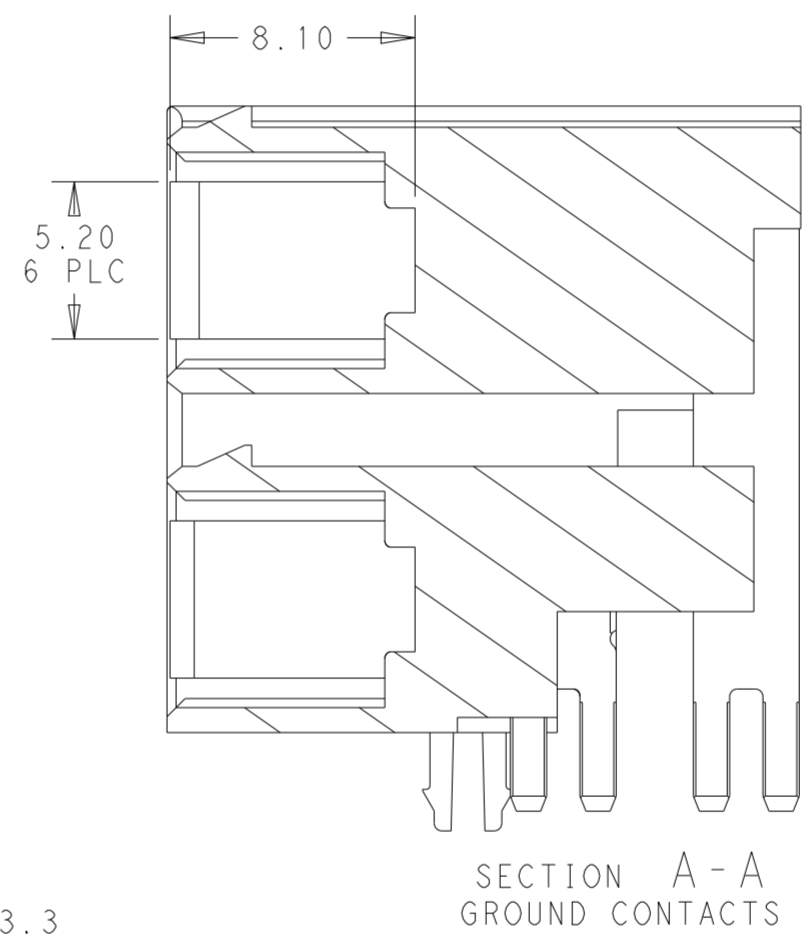
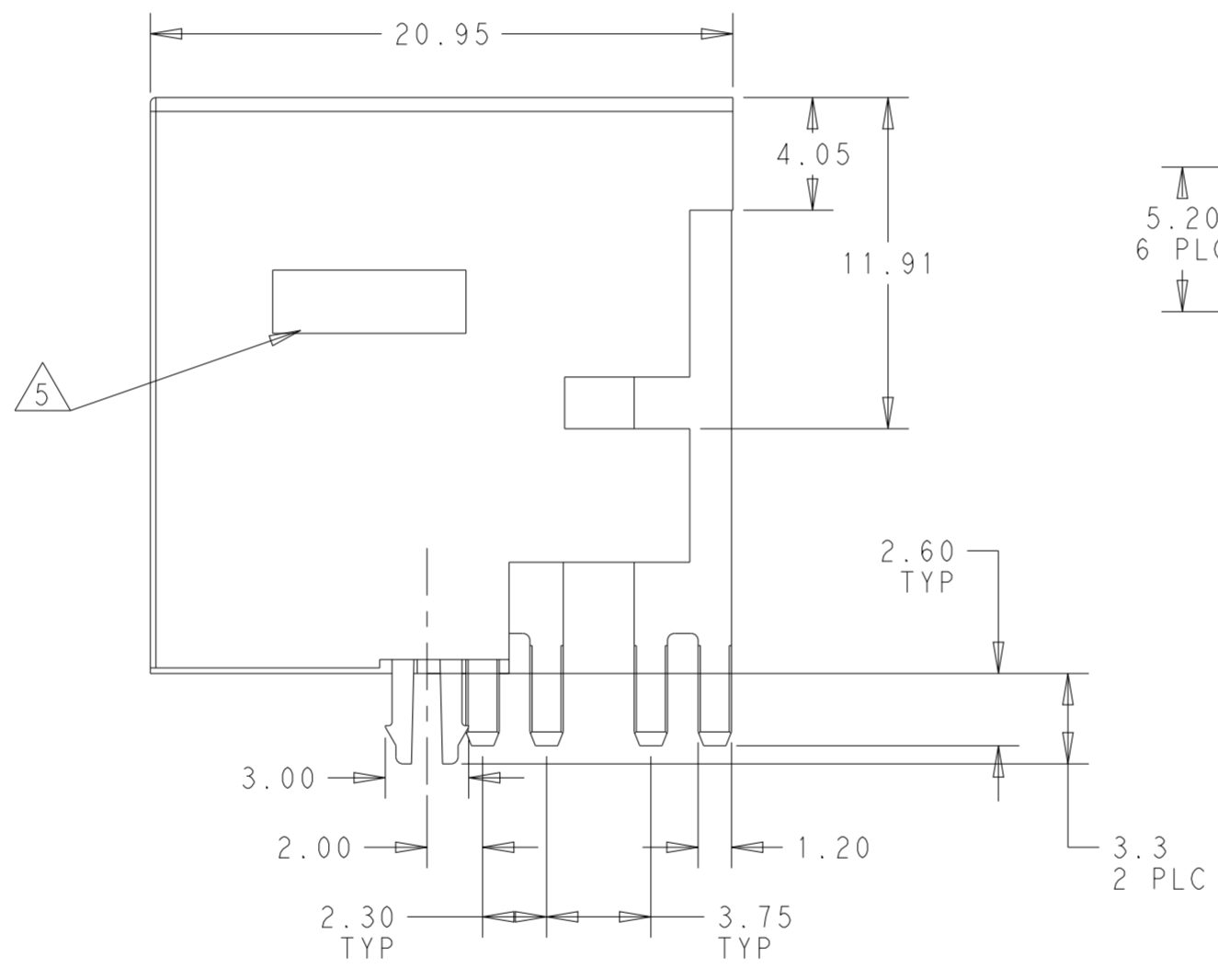
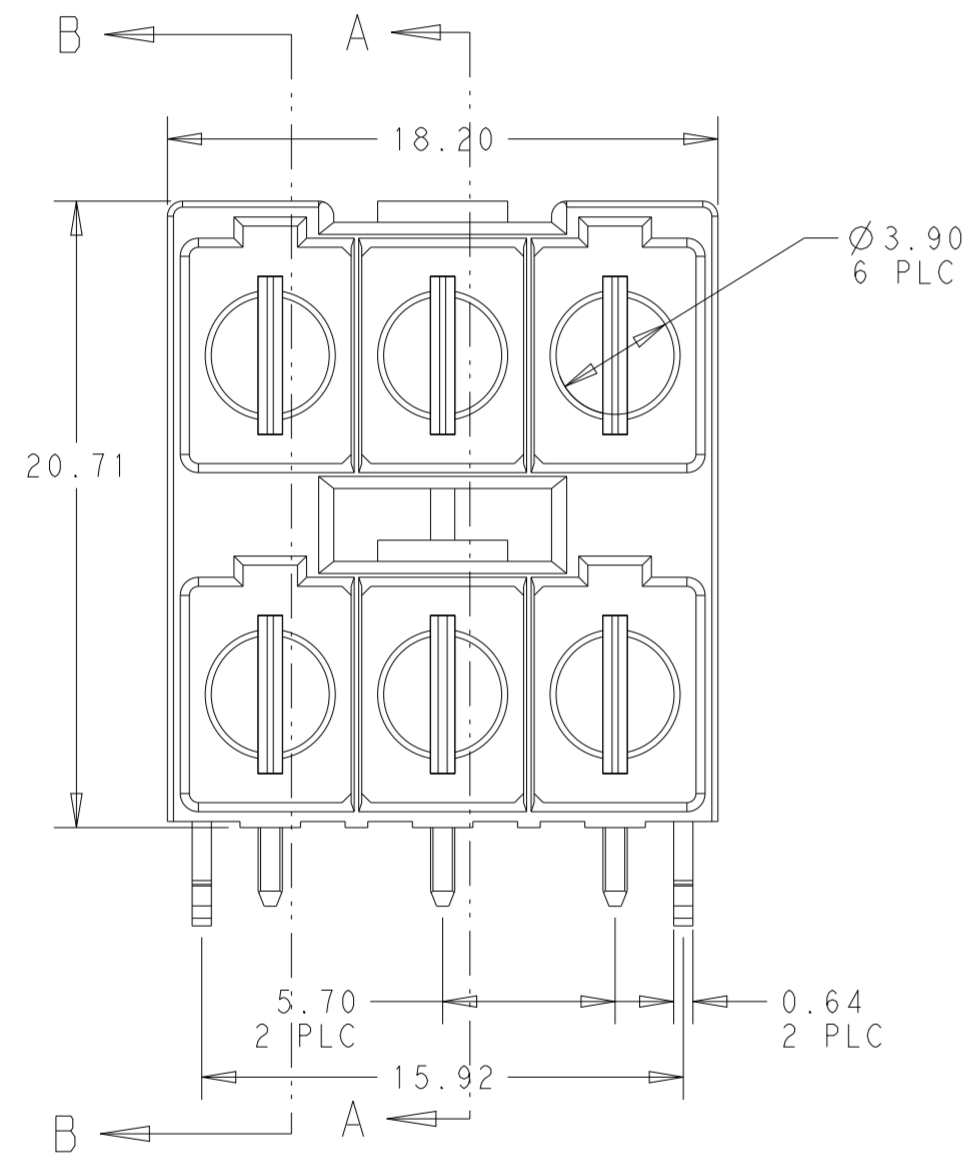
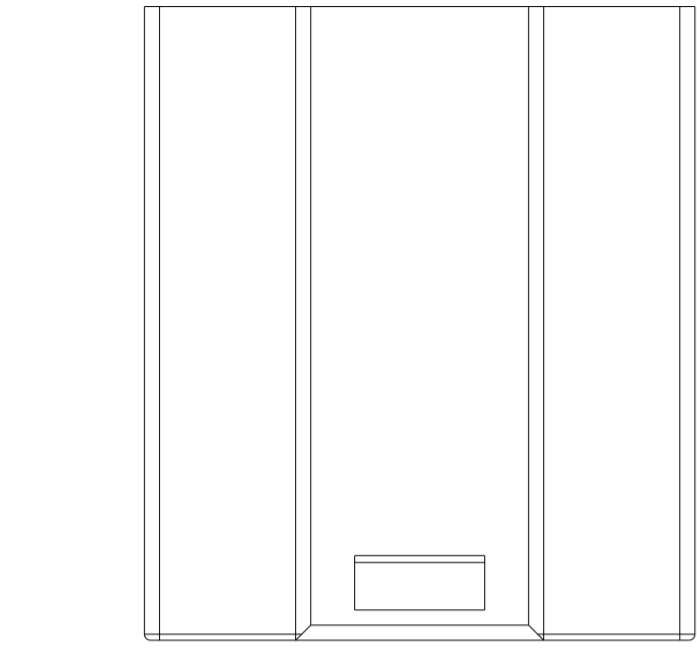


THIS DRAWING IS UNPUBLISHED. RELEASED FOR PUBLICATION 20
 © COPYRIGHT 20 BY - ALL RIGHTS RESERVED.

| REVISIONS | | | | | |
|-----------|-----|---------------------------------|------------|-----|------|
| P | LTR | DESCRIPTION | DATE | DWN | APVD |
| B6 | | UPDATE FOR -8 | 2NDJUN2021 | OL | SH |
| B7 | | CHANGE HOLD DOW LOCATION FOR -8 | 12JUL2021 | OL | SH |
| B8 | | ADD TAPE AND REEL FOR -8 | 13OCT2021 | OL | SZ |

- 1 MATERIAL:
HOUSING: LCP BLACK, UL94V-0; CONTACT AND RETENTION CLIP: COPPER ALLOY
- 2 PLATING:
POWER CONTACT: 3UM SILVER AT CONTACT AND SOLDER AREA OVER NICKEL PLATED;
RETENTION CLIP: TIN PLATED
- 3 DATUM AND BASIC DIMENSIONS ESTABLISHED BY CUSTOMER
- 4 UNPLATED THROUGH HOLE; THE RECOMMENDED HOLE SIZE IS 2.75MM OR 2.65MM.
- 5 "TE", PART NUMBER AND DATECODE TO BE MARKED IN AREA SHOWN
- 6 PLATING: 0.76µM GOLD ON CONTACT AREA AND GOLD FLASH ON OTHER AREA.
RETENTION CLIP: TIN PLATED

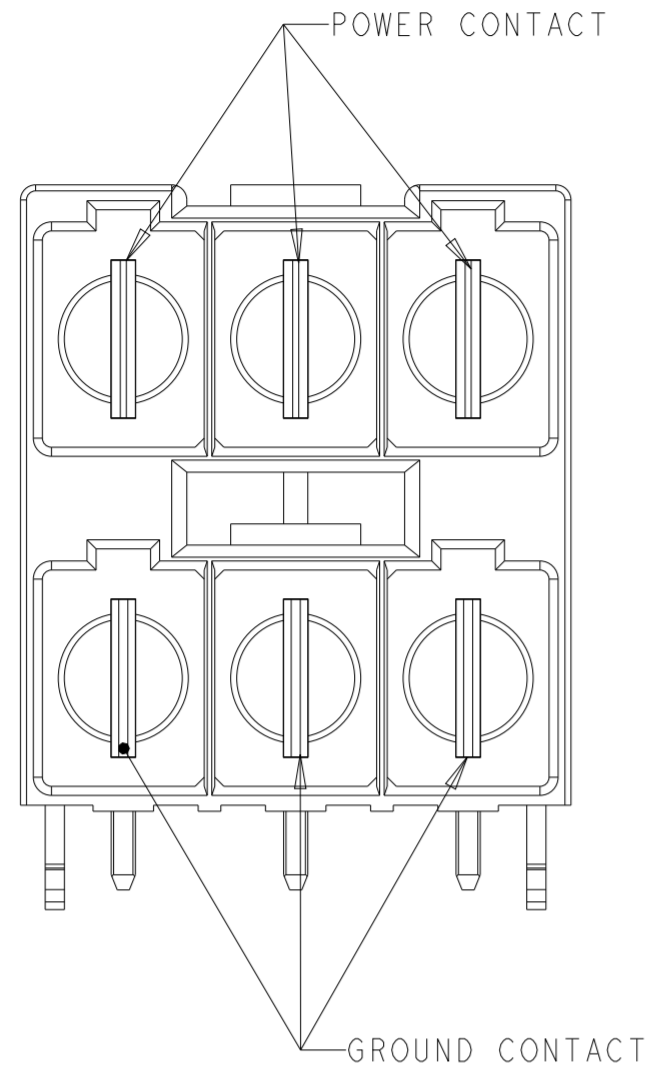


| | |
|---------|-------------|
| 2 | 2204535-1 |
| PLATING | PART NUMBER |

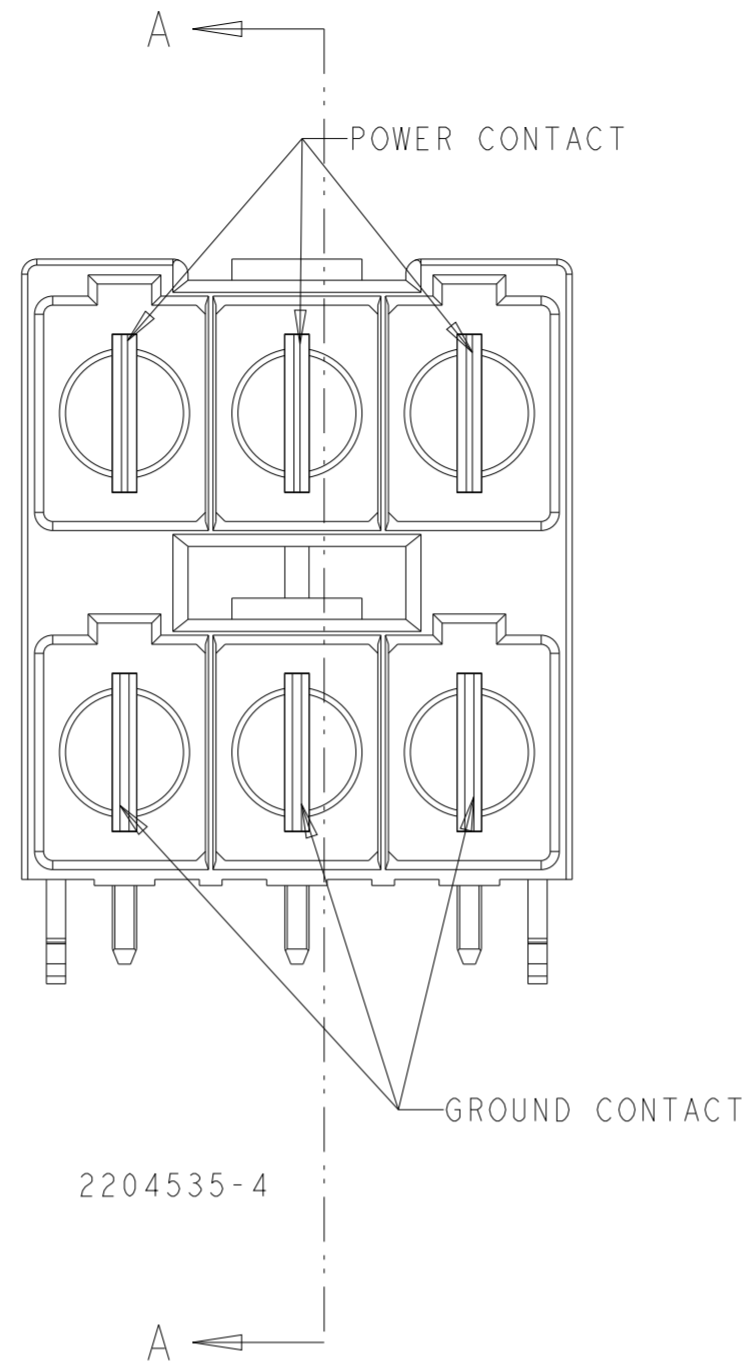
| | | | | |
|--|------------|-----------------------------|---|-----------------------|
| THIS DRAWING IS A CONTROLLED DOCUMENT. | | DWN ORANDO LI 03APR2015 | TE Connectivity | |
| DIMENSIONS: mm | | CHK ZHAO SUNY 03APR2015 | | |
| TOLERANCES UNLESS OTHERWISE SPECIFIED: | | APVD SUNY_ZHAO 03APR2015 | NAME ELCON Mini, 2x3-position stacked header, right-angle | |
| 0 PLC ± | 1 PLC ±0.1 | PRODUCT SPEC 108-128027 | SIZE A2 | |
| 2 PLC ±0.05 | 3 PLC ± | APPLICATION SPEC 114-128029 | CAGE CODE - | DRAWING NO. C-2204535 |
| 4 PLC ± | ANGLES ± | WEIGHT - | RESTRICTED TO - | |
| FINISH - | | CUSTOMER DRAWING | SCALE 4:1 | SHEET 1 OF 4 |
| | | | | REV B8 |

THIS DRAWING IS UNPUBLISHED. RELEASED FOR PUBLICATION 20
 © COPYRIGHT 20 BY - ALL RIGHTS RESERVED.

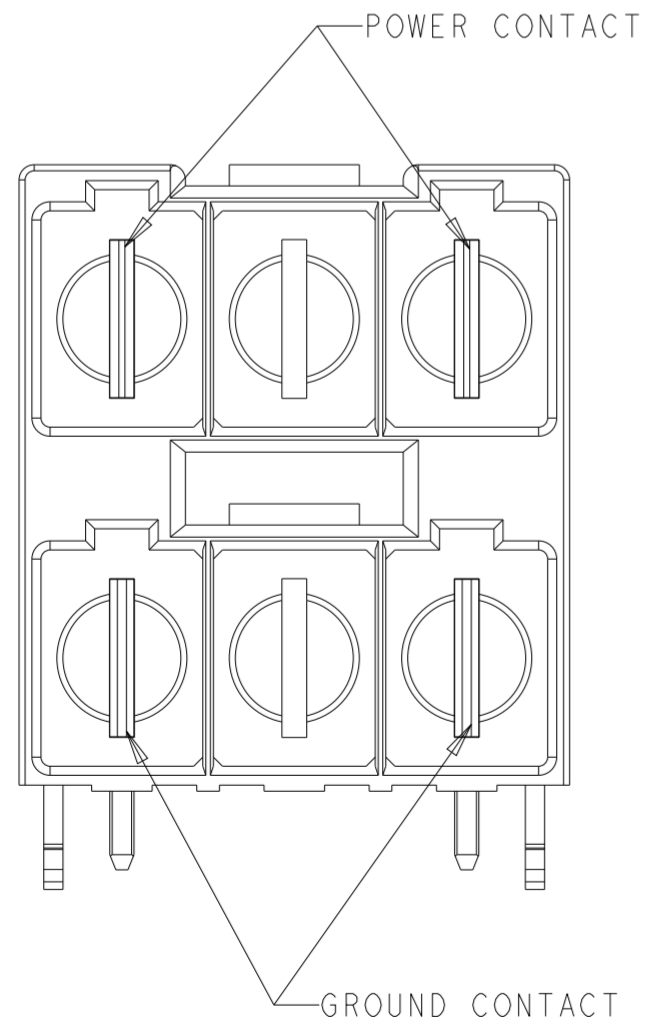
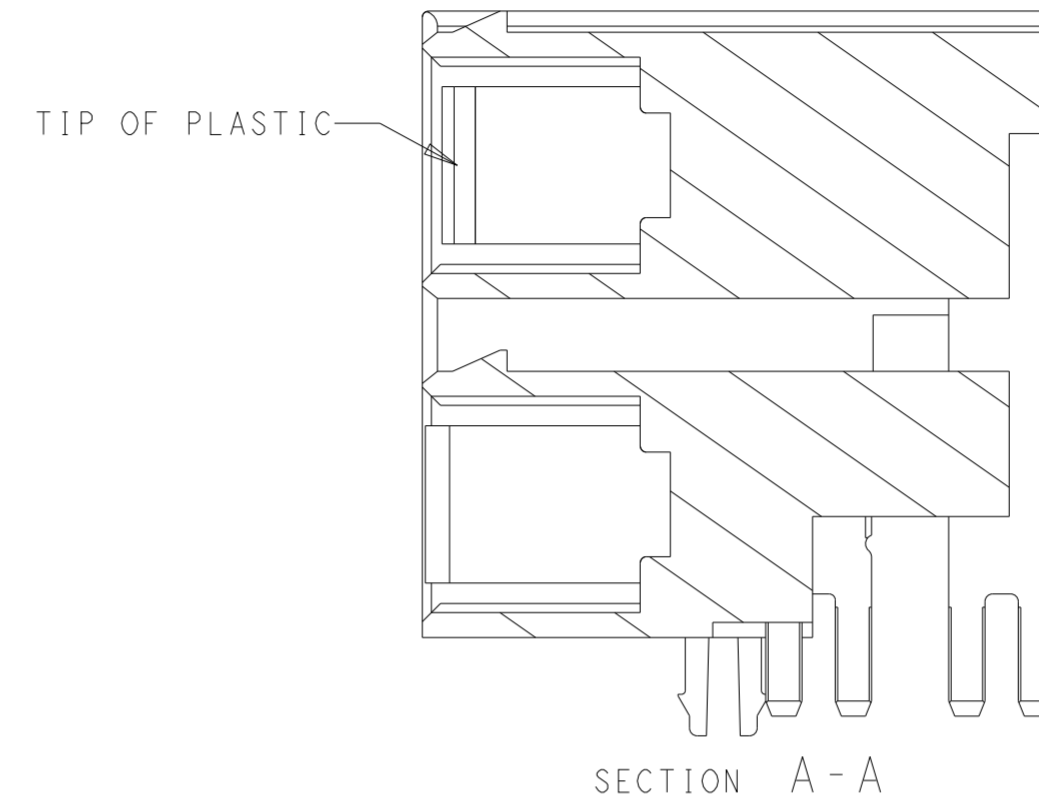
| REVISIONS | | | | | |
|-----------|-----|-------------|------|-----|------|
| P | LTR | DESCRIPTION | DATE | DWN | APVD |
| - | - | SEE SHEET 1 | - | - | - |
| | | | | | |
| | | | | | |



2204535-3



2204535-4



2204535-5

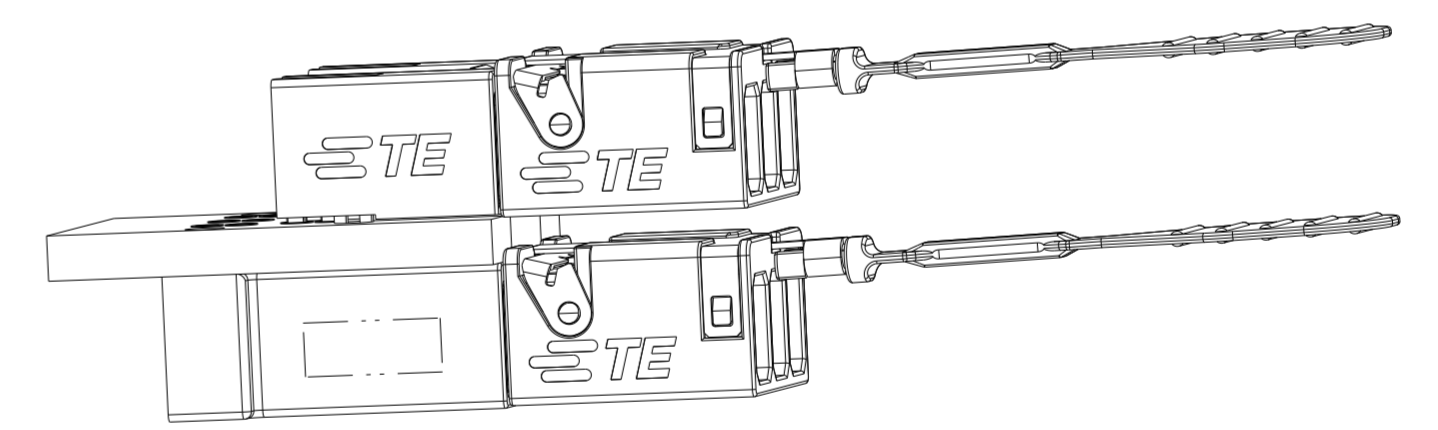
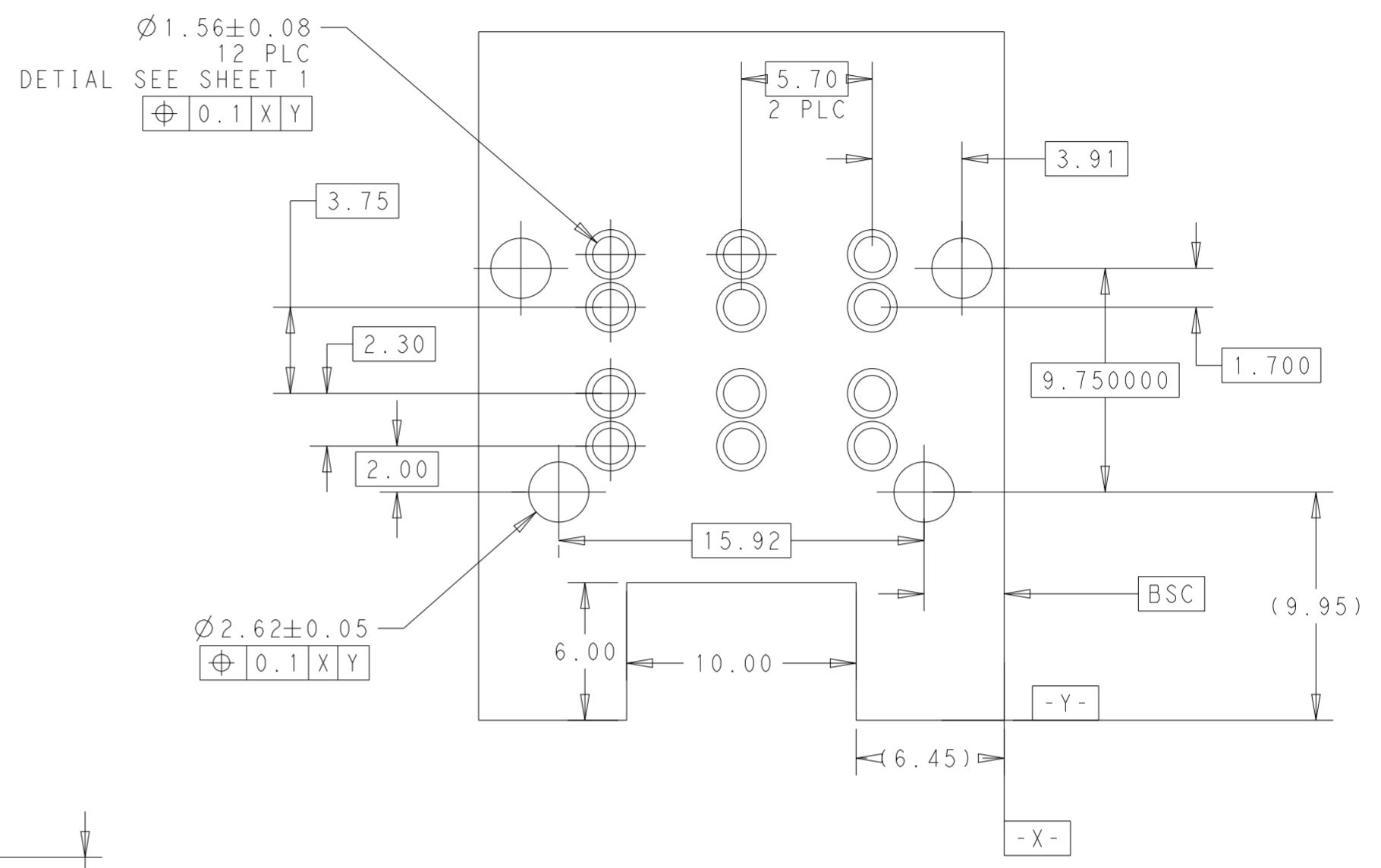
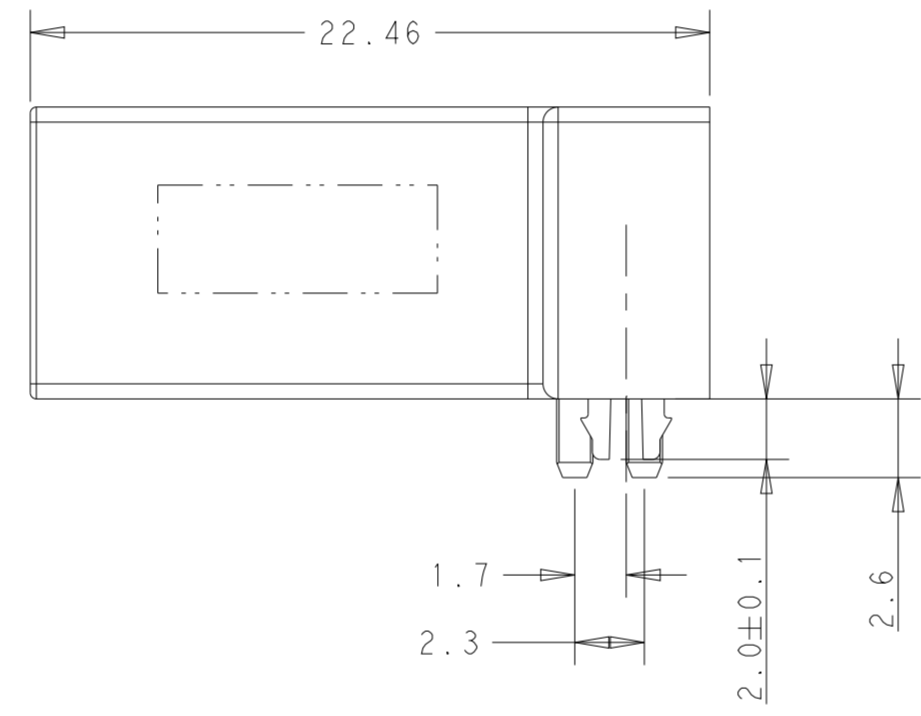
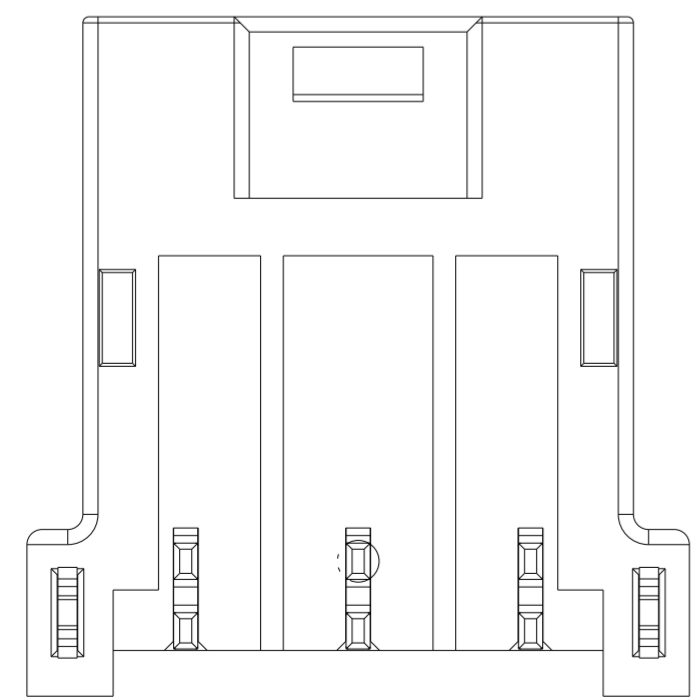
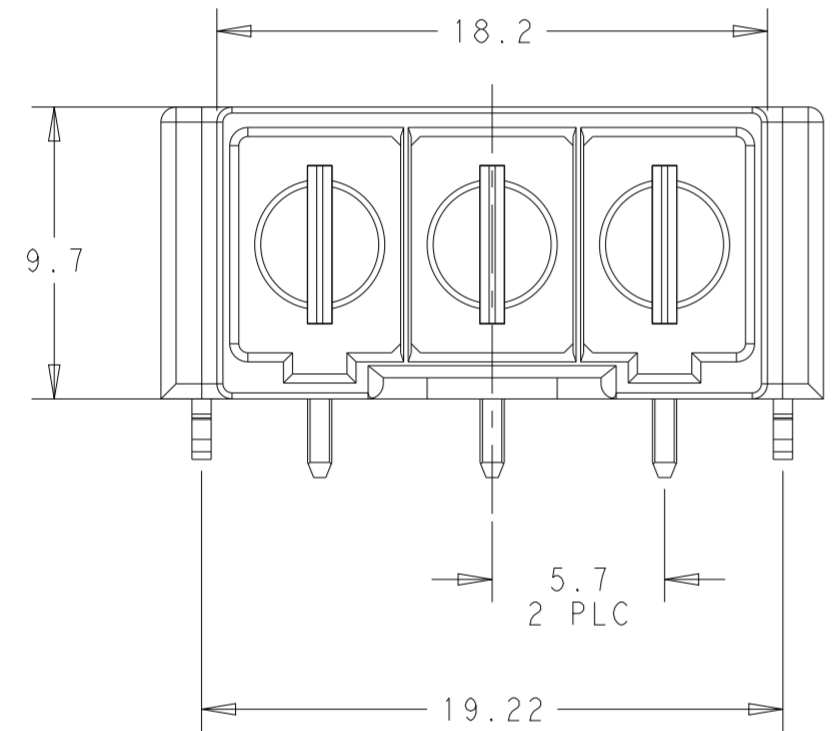
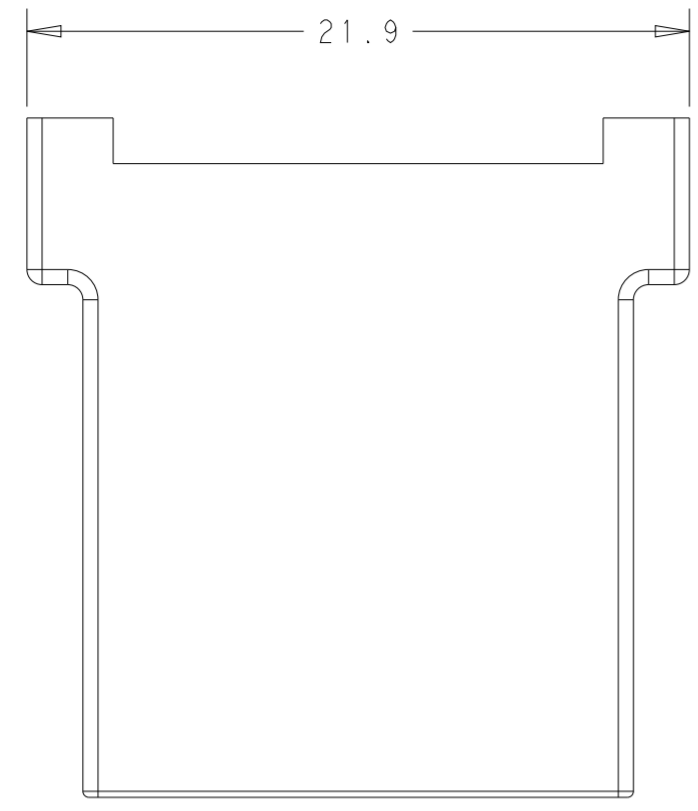
OTHER DIMENSIONS, PLEASE SEE SHEET 1

| | | | |
|-----------|-------------|---------|-------------|
| GROUND | PROBE PROOF | 6 | 2204535-5 |
| GROUND | PROBE PROOF | 6 | 2204535-4 |
| GROUND | PROBE PROOF | 2 | 2204535-3 |
| LOWER ROW | UPPER ROW | PLATING | PART NUMBER |

| | | | | | |
|--|--|------------------|--------------|----------------------------|--|
| THIS DRAWING IS A CONTROLLED DOCUMENT. | | DWN | 03APR2015 | STE TE Connectivity | |
| DIMENSIONS: | | CHK | 03APR2015 | | |
| mm | | APVD | 03APR2015 | | |
| TOLERANCES UNLESS OTHERWISE SPECIFIED: | | PRODUCT SPEC | 108-128027 | | |
| 0 PLC ± | | APPLICATION SPEC | 114-128029 | NAME | ELCON Mini, 2x3-position stacked header, right-angle |
| 1 PLC ±0.1 | | WEIGHT | - | SIZE | A2 |
| 2 PLC ±0.05 | | CUSTOMER DRAWING | SCALE 4:1 | CAGE CODE | - |
| 3 PLC ± | | RESTRICTED TO | SHEET 2 OF 4 | DRAWING NO | G-2204535 |
| 4 PLC ± | | REV | B8 | FINISH | - |
| ANGLES ± | | | | | |
| FINISH - | | | | | |
| MATERIAL TBD | | | | | |

THIS DRAWING IS UNPUBLISHED. RELEASED FOR PUBLICATION 20
 © COPYRIGHT 20 BY - ALL RIGHTS RESERVED.

| REVISIONS | | | | |
|-----------|-----|-------------|------|------|
| P | LTR | DESCRIPTION | DATE | APVD |
| - | - | SEE SHEET 1 | - | - |
| | | | | |
| | | | | |



2204535-8 IS SHOWN

THIS PRINT IS
PRELIMINARY
 UNQUALIFIED PRODUCT
 CONTACT PRODUCT ENGINEERING
 BEFORE USING THIS PRINT

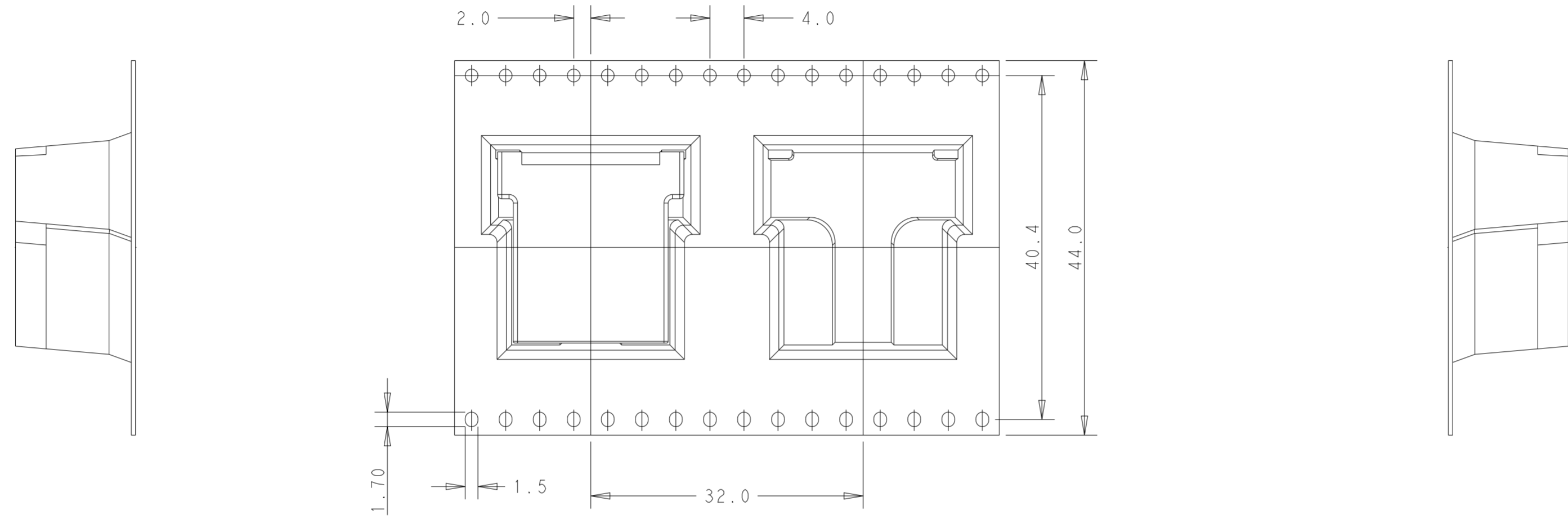
| | | | | |
|-----------|-------------|------------|---------|-------------|
| SOLDER | PROBE PROOF | GND | 2 | 2204535-8 |
| TAIL TYPE | SIDE PINS | MIDDLE PIN | PLATING | PART NUMBER |

| | | | | | |
|--|-------|------------------|--------------|---------------|--|
| THIS DRAWING IS A CONTROLLED DOCUMENT. | | DWN | ORANDO LI | 03APR2015 | TE Connectivity ELCON Mini, 2x3-position stacked header, right-angle |
| DIMENSIONS: | | CHK | ZHAO SUNY | 03APR2015 | |
| TOLERANCES UNLESS OTHERWISE SPECIFIED: | | APVD | SUNY ZHAO | 03APR2015 | |
| mm | | PRODUCT SPEC | 108-128027 | NAME | |
| 0 PLC | ± | APPLICATION SPEC | 114-128029 | SIZE | A2 |
| 1 PLC | ±0.1 | WEIGHT | - | CAGE CODE | - |
| 2 PLC | ±0.05 | CUSTOMER DRAWING | SCALE 4:1 | DRAWING NO | G-2204535 |
| 3 PLC | ± | | SHEET 3 OF 4 | RESTRICTED TO | - |
| 4 PLC | ± | | REV B8 | | |
| ANGLES | ± | | | | |
| FINISH | - | | | | |


THIS DRAWING IS UNPUBLISHED. RELEASED FOR PUBLICATION 20
 © COPYRIGHT 20 BY - ALL RIGHTS RESERVED.

| REVISIONS | | | | | |
|-----------|-----|-------------|------|-----|------|
| P | LTR | DESCRIPTION | DATE | DWN | APVD |
| - | - | SEE SHEET 1 | - | - | - |
| | | | | | |
| | | | | | |
| | | | | | |

→ UNREELING DIRECTION



PACKAGE FOR 2204538-8

| | | | | | |
|--|--|--------------------------------|---|-------------------------------|-------------------------|
| THIS DRAWING IS A CONTROLLED DOCUMENT. | | DWN ORANDO LI 03APR2015 |  TE Connectivity | | |
| DIMENSIONS: mm | | CHK ZHAO SUNY 03APR2015 | | | |
| TOLERANCES UNLESS OTHERWISE SPECIFIED: | | APVD SUNY ZHAO 03APR2015 | NAME ELCON Mini, 2x3-position stacked header, right-angle | | |
| 0 PLC ± 1 PLC ±0.1 2 PLC ±0.05 3 PLC ± 4 PLC ± ANGLES ± FINISH - | | PRODUCT SPEC 108-128027 | SIZE A2 | CAGE CODE - | DRAWING NO C-2204535 |
| MATERIAL TBD | | APPLICATION SPEC 114-128029 | RESTRICTED TO - | SCALE 4:1 SHEET 4 OF 4 REV B8 | |
| - | | WEIGHT - | CUSTOMER DRAWING | | |