

REVISIONS					
P	LTN	DESCRIPTION	DATE	DMN	APVD
A		FIRST RELEASE	30JUN2020	SZ	SZ

NOTES, UNLESS OTHERWISE SPECIFIED

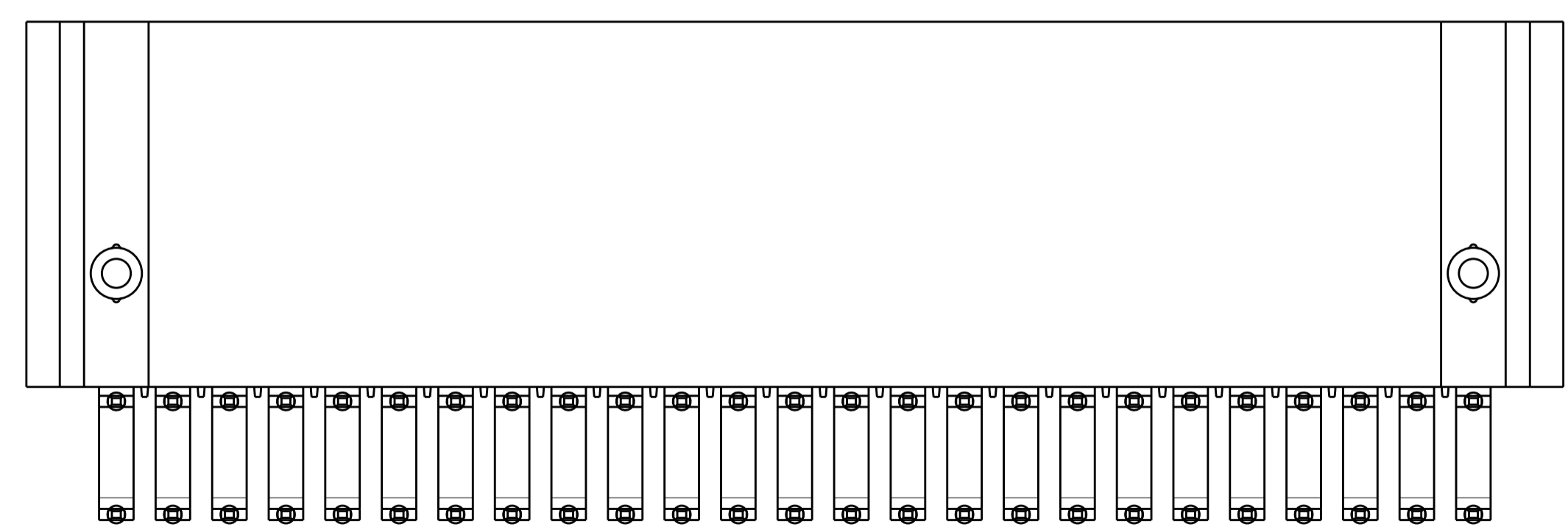
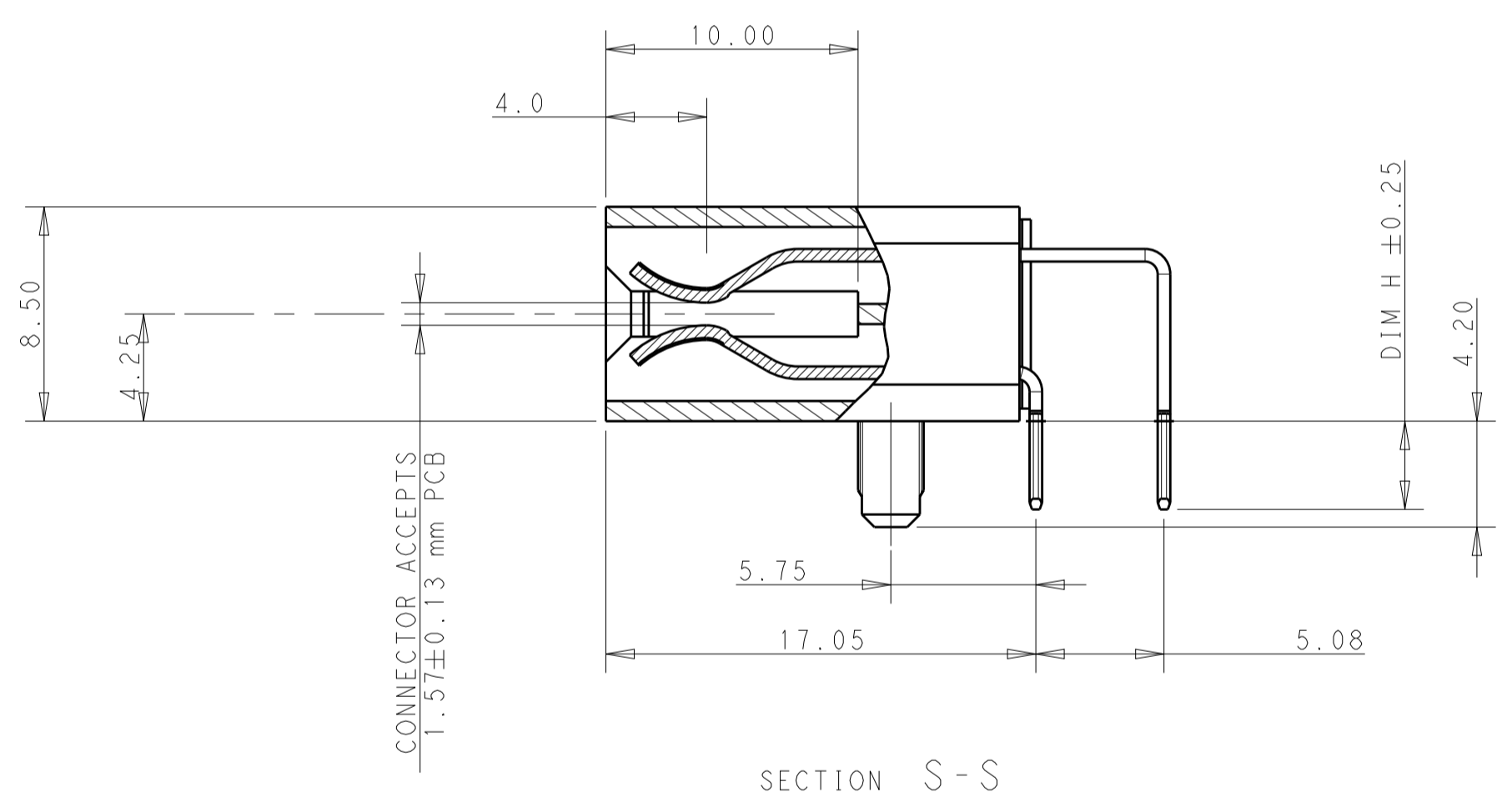
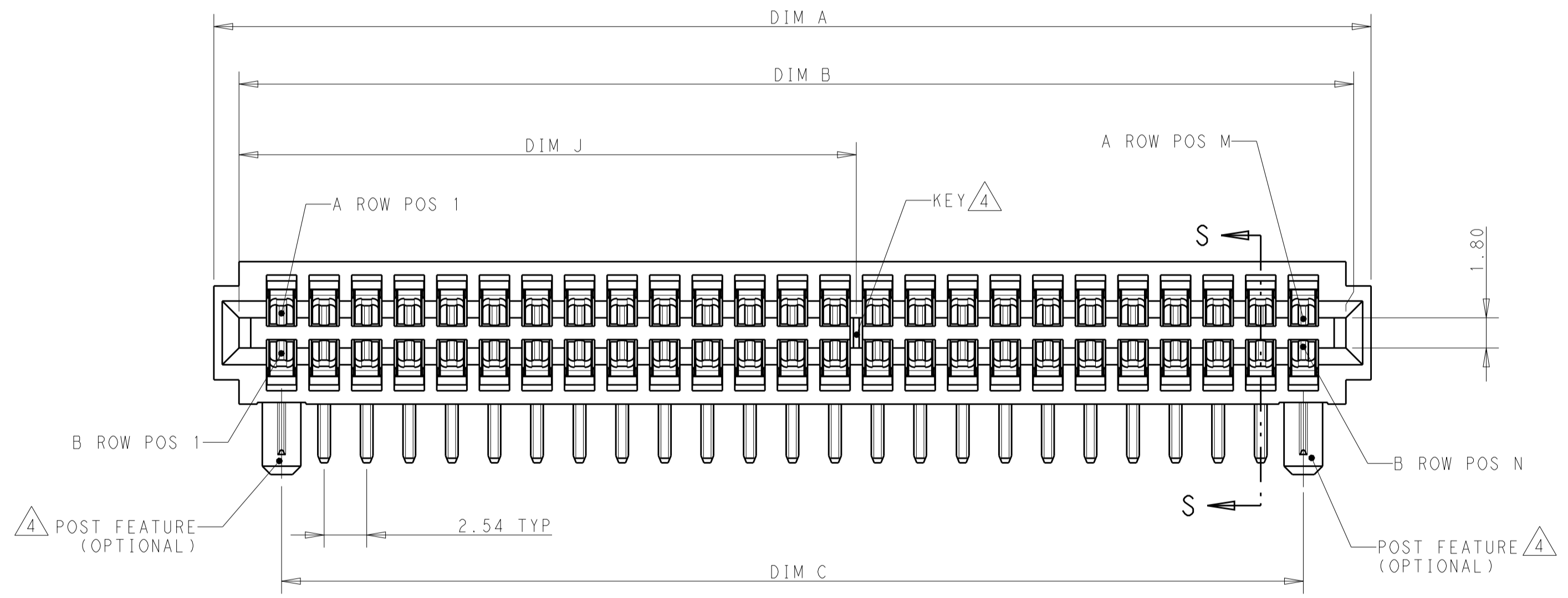
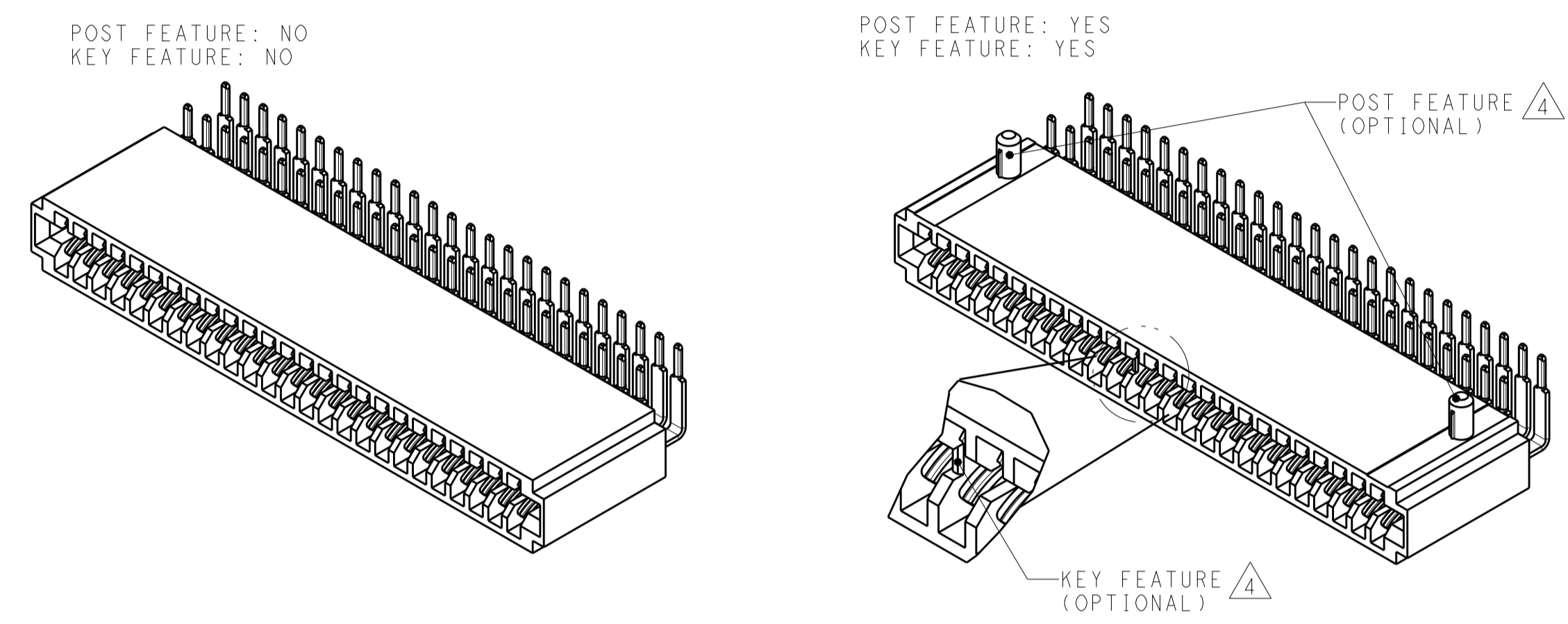
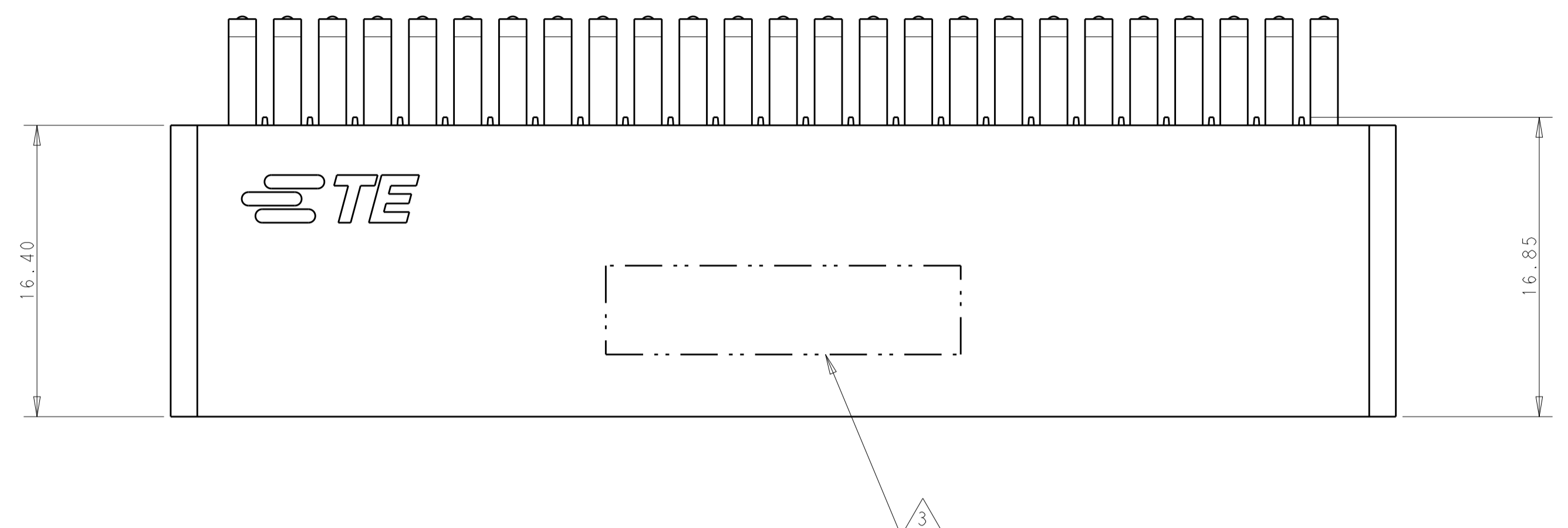
1. MATERIAL:
HOUSING - THERMOPLASTIC, GLASS PREINFORCED, COLOR, BLACK, UL 94V-0
CONTACTS- COPPER ALLOY.

2. FINISH:
MATING AREA - NOBLE METAL OVERALL NICKEL.
SOLDER TAIL - MATTE TIN OVERALL NICKEL.

3. MARK P/N AND DATA CODE IN APPROX. AREA AS SHOWN.

4. OPTIONAL FEATURE BASE ON SPECIFIC PART NUMBER, SEE THE TABLE FOR DETAIL

5. NO TOOLING.



NO	YES	34.29	36.83	3.50	/	60.96	30.48	65.74	/	66.04	69.04	25	25	2358256-5
NO	NO	/	/	2.50	/	60.96	30.48	65.74	/	66.04	69.04	25	25	2358256-4
YES	NO	/	/	3.50	17.78	17.78	8.89	22.56	17.78	22.86	25.86	8	8	2358256-3
YES	YES	34.29	36.83	3.50	60.96	60.96	30.48	65.74	60.96	66.04	69.04	25	25	2358256-2
NO	NO	/	/	3.50	/	60.96	30.48	65.74	/	66.04	69.04	25	25	2358256-1
POST	KEY	DIM K	DIM J	DIM H	DIM G	DIM F	DIM E	DIM D	DIM C	DIM B	DIM A	N	M	PART NUMBER

THIS DRAWING IS A CONTROLLED DOCUMENT.

DMN: SEAN ZHANG 11JUN2019
CHK: SUNY ZHAO 11JUN2019

APVD: SUNY ZHAO 11JUN2019

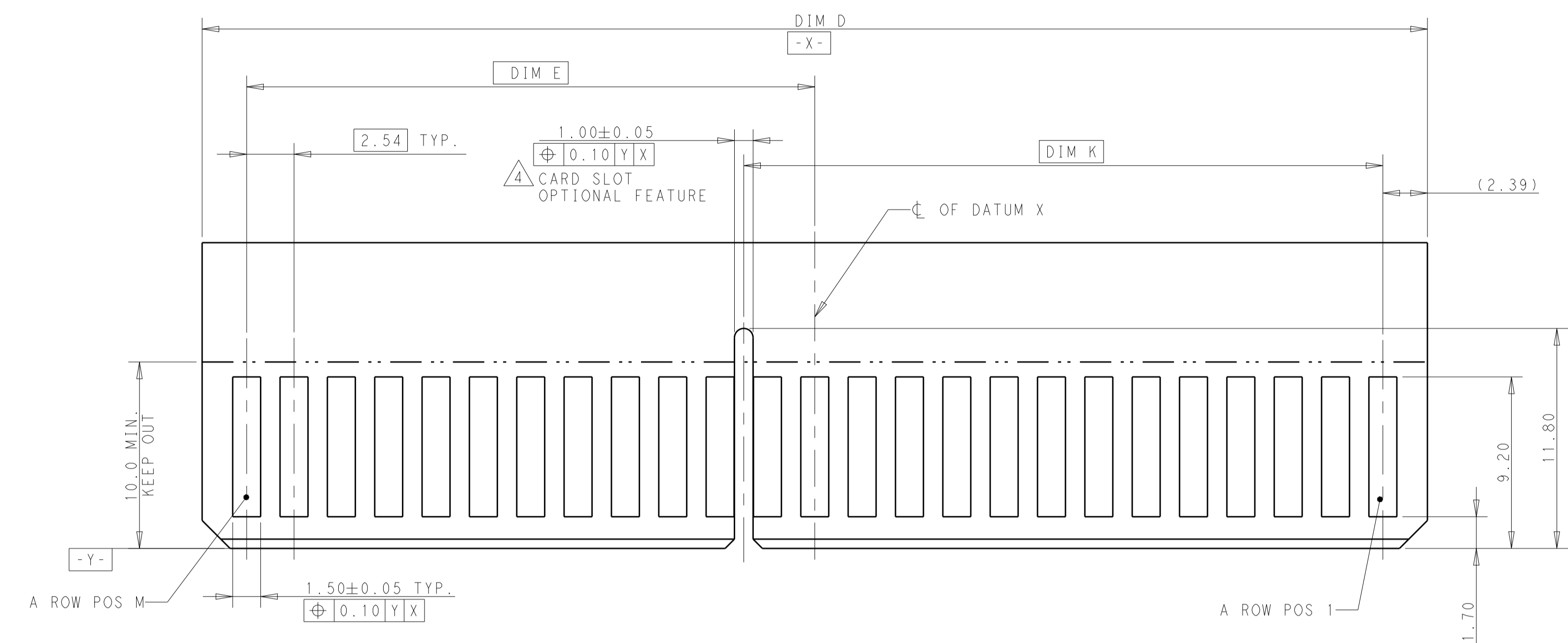
NAME: SINGLE BEAM CARD EDGE RIGHT ANGLE

PRODUCT SPEC: -
APPLICATION SPEC: -

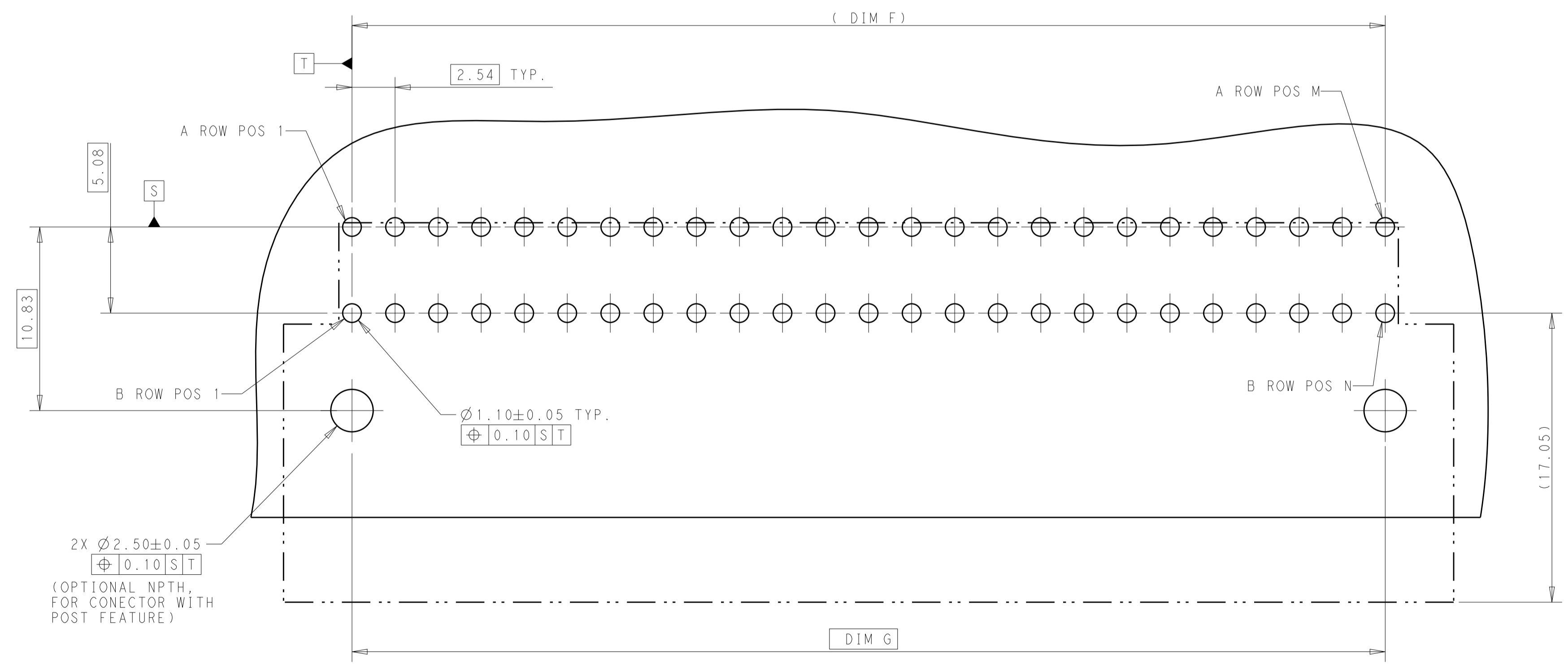
SIZE: A1 CAGE CODE: - DRAWING NO: 2358256
SCALE: 2:1 SHEET 1 OF 2 REV A

MATERIAL: - FINISH: - WEIGHT: -
CUSTOMER DRAWING

REVISIONS					
P.	LTN	DESCRIPTION	DATE	DMN	APVD
-	-	SEE SHEET 1	-	-	-



RECOMMENDED MATING BOARD EDGE CONFIGURATION
(PRIMARY SIDE SHOWN)



RECOMMENDED MOUNTING BOARD CONFIGURATION LAYOUT
VIEW FROM COMPONENT SIDE

THIS DRAWING IS A CONTROLLED DOCUMENT.		DMN: SEAN_ZHANG	11JUN2019	TE Connectivity
DIMENSIONS:		CHK: -	-	
mm	TOLERANCES UNLESS OTHERWISE SPECIFIED:	APVD: SUNY_ZHAO	11JUN2019	NAME: SINGLE BEAM CARD EDGE RIGHT ANGLE
	0 PLC ± 1 PLC ±0.10 2 PLC ±0.05 3 PLC ± 4 PLC ± ANGLES ±	PRODUCT SPEC	APPLICATION SPEC	SIZE: A1
MATERIAL: TBD	FINISH: -	WEIGHT: -	CAGE CODE: -	DRAWING NO: C=2358256
CUSTOMER DRAWING			SCALE: 2:1	SHEET 2 OF 2
			REV: A	