

MedLock™ | HD is a high-density 62 Contact, push-pull interconnect system designed for electro-surgical catheter applications for both reusable and disposable markets. It's reliable, high strength, auto-latch feature allows the interconnect to couple intuitively & effortlessly for critical surgical applications.

- **Up to 62 pin capacity**
- **Auto-Lock mechanism**
- **Highly flexible cable with a slick, easily cleanable surface**
- **Customizable (color & material) for reusable or disposable application**
- **Autoclavable configuration**



Specifications

Mechanical

Mating Type:

Push-Pull

Mating Cycles:

Plug: 5k min

Receptacle: 6k min

Mating Forces:

Insertion: 8 lbf max

Removal: 7.5 lbf max

Axial Tensile Force:

15lbf

Electrical

Operating Voltage:

600 VDC

500 VAC

Operating Current: 3A

End-End Resistance:

< 1.5ohms

Environmental

Sterilizable: gamma, EtO &

Autoclave (customizable option)

Chemical Resistance: Common or cleaning solvents

Finger Safety: Yes

Storage & Operating Temp:

0-46 °C

IP Rating:

IP-5X (Panel Mount Receptacle)

IP-6X (Handpiece Receptacle)

Compatibility

Contacts: up to 62 pins

Plug Cable Assembly

Accepted Wire Gauges: 22-48 AWG

Cable Jacket OD: .393 "

Contact Termination: Solder

Panel Mount Receptacle

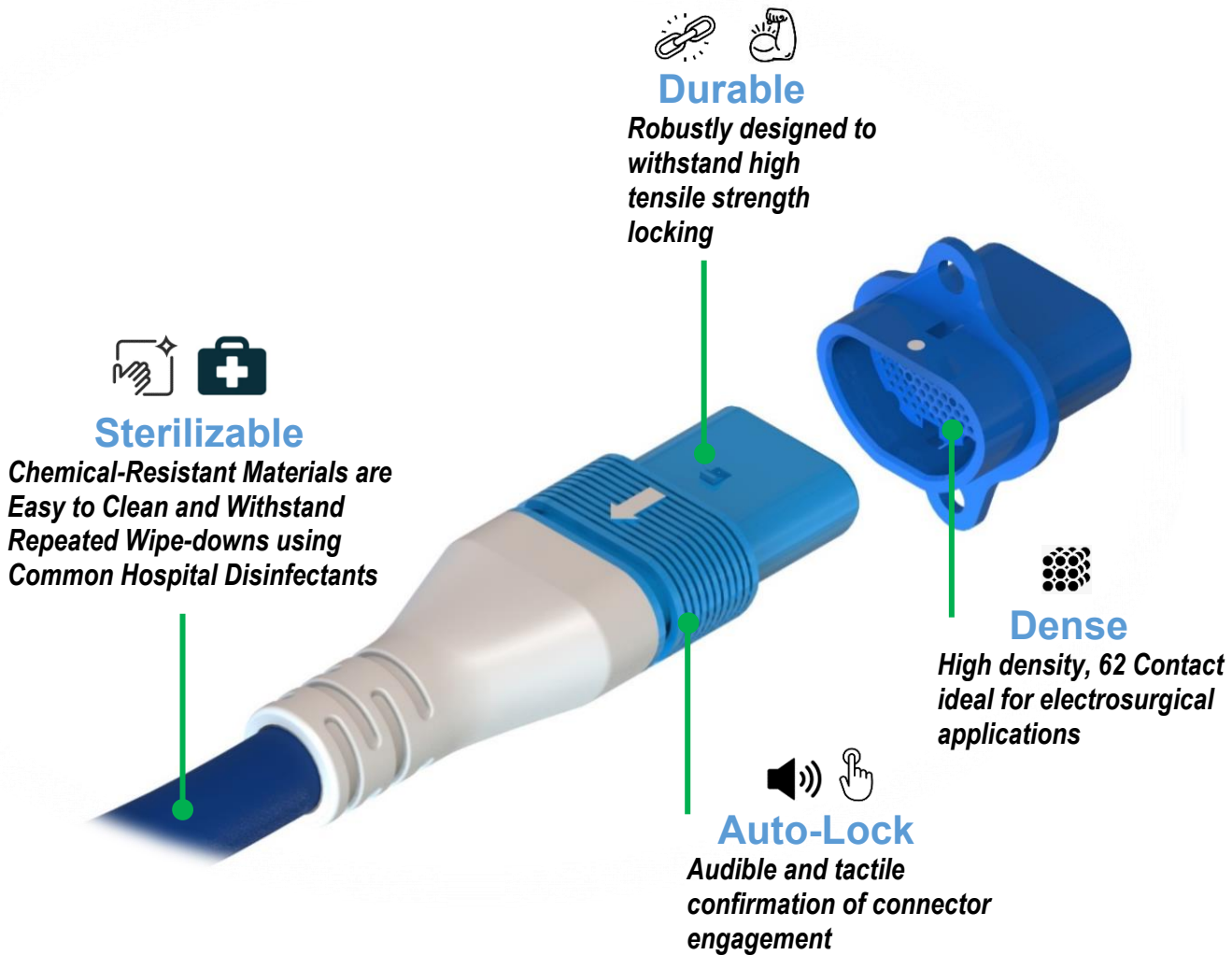
Contact Termination:

Wire Termination

Handpiece Receptacle

Contact Termination:

Thru-hole PCB mount solder tails on pins



Durable

Robustly designed to withstand high tensile strength locking



Sterilizable

Chemical-Resistant Materials are Easy to Clean and Withstand Repeated Wipe-downs using Common Hospital Disinfectants



Dense

High density, 62 Contact ideal for electrosurgical applications



Auto-Lock

Audible and tactile confirmation of connector engagement

Materials & Assembly

Panel Mount Receptacle

Receptacle Housing: Polycarbonate
Insulator Board: UL 94V-0 FR-4
Pins: Gold Plated Brass Alloy

Required Assembly: Assemble pinned insulator after terminating wires/PCB/Flex. Mount onto panel using 2x mounting screws and locknuts.

Handpiece Receptacle

Receptacle Housing: Polycarbonate
Insulator Board: UL 94V-0 FR-4
Pins: Gold Plated Brass Alloy

Required Assembly: Assemble pinned insulator after terminating wires/PCB/flex. Mount into enclosure.

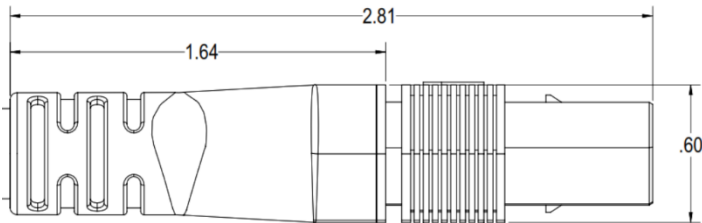
Plug Cable Assembly

Inner & Outer Housing: PSU
Overmold Strain Relief: TPU (Customizable)
Cable Jacket: Parylene Coated, Silicone (Customizable)
Insulator Board: UL94V-0 FR-4
Pins: Nickel-Gold Plated Brass Alloy
Finger Protection Pins: Stainless Steel

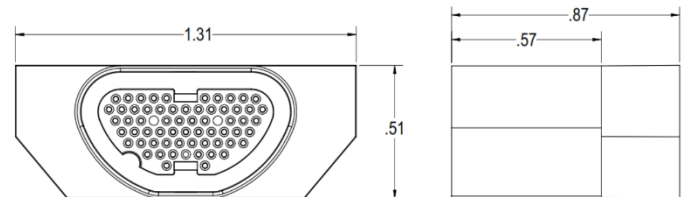
Required Assembly: Cable and connector

Dimensions

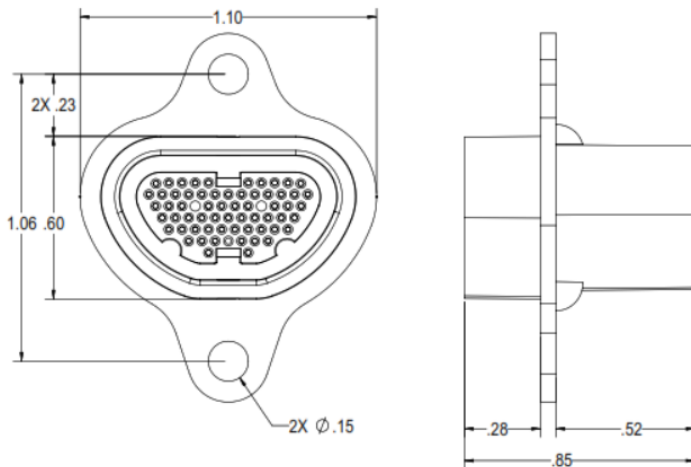
Plug



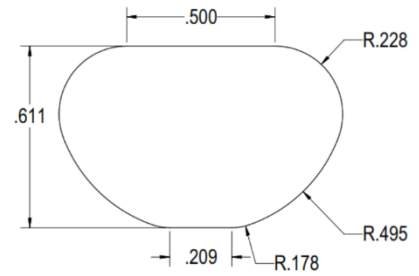
Handpiece Receptacle



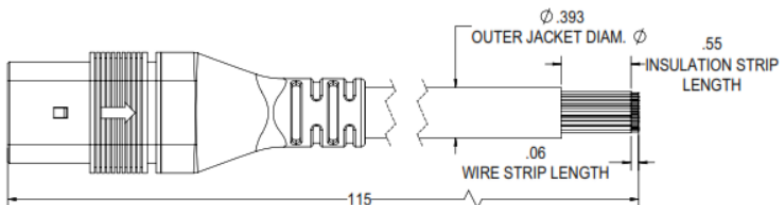
Panel Mount Receptacle



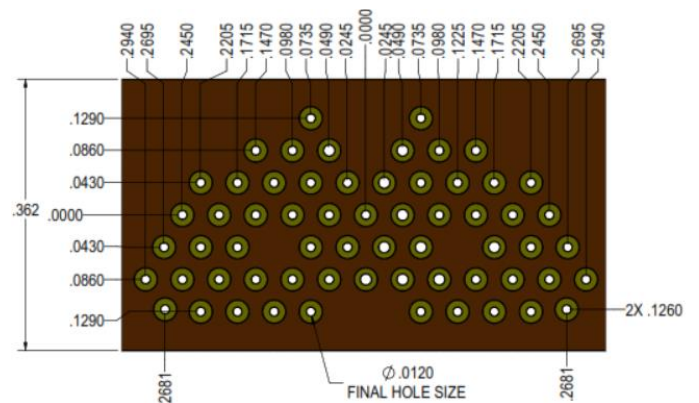
Recommended Panel Cutout



Cable Specifications

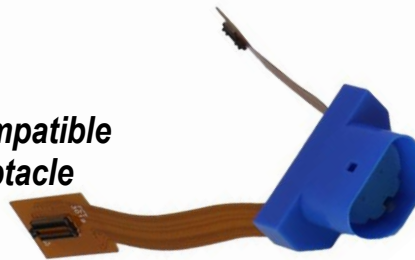


Recommended Receptacle PCB/Flex Dimensions



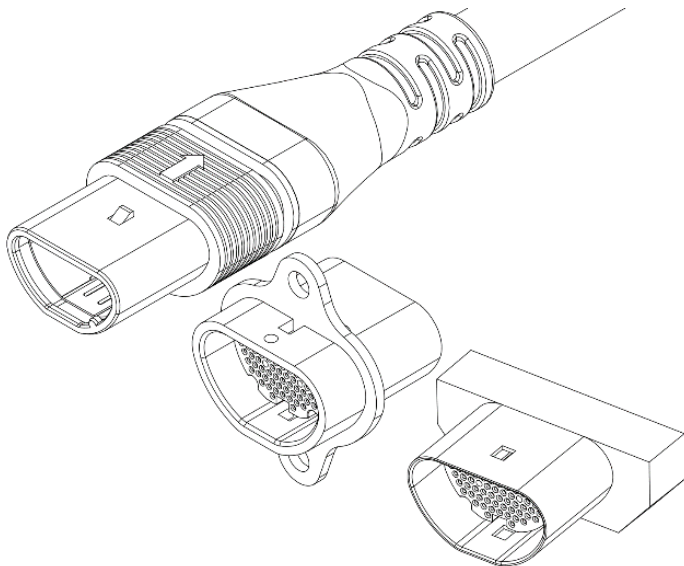


*Wiring Harness
Receptacle*



*Flex Compatible
Receptacle*

Configurations & Ordering



Custom Options Available:

Reach out to our sales team about laser-engraved logos, personalized color options, high volume orders, and end-to-end custom cable assemblies, including our integrated SmartConnect™ capabilities.

Contact Us:

sales@onanon.com
408-262-8990
www.onanon.com
720 S Milpitas Blvd.
Milpitas, CA 95035