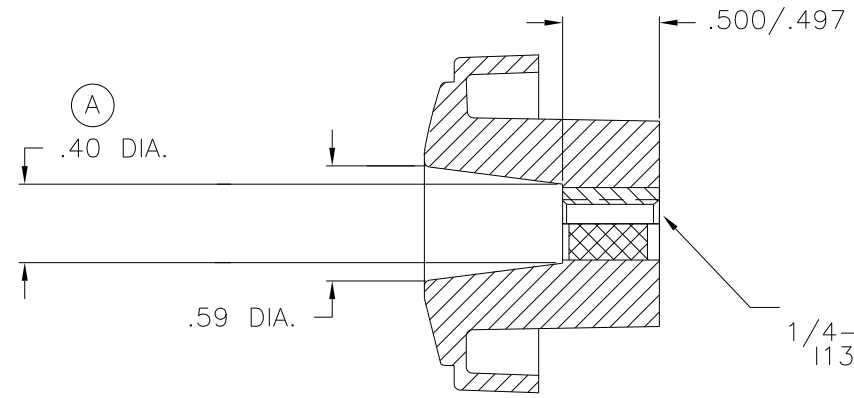


PART NAME: KNOB SCALE: 1:1 DATE: 5/30/91 DR. BY HD

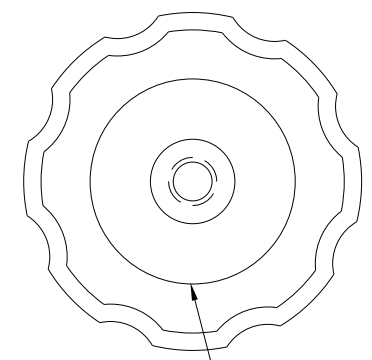
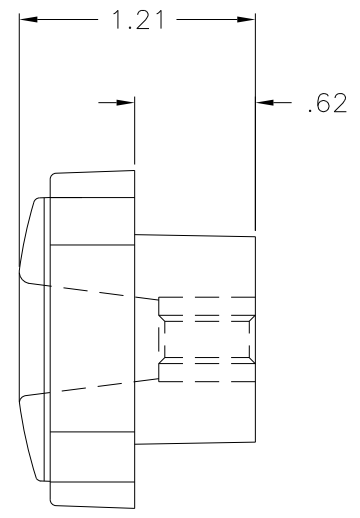
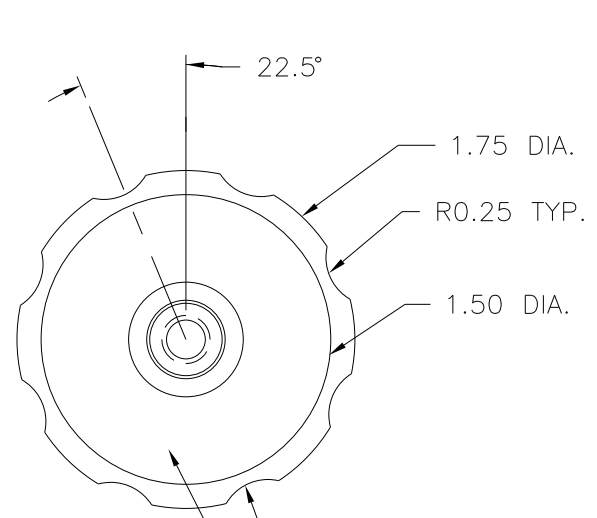
THIS DRAWING IS THE PROPERTY OF DAVIES MOLDING COMPANY, IS SUBMITTED SOLELY AS A DESIGN OR ENGINEERING PROJECT. WE ACCEPT NO RESPONSIBILITY WHATSOEVER FOR THE PRACTICAL APPLICATION OF THE PIECES MADE TO THIS DESIGN.



P/N	4212
M NO.	73
CAV.	4212
CAV.PLUG	4212 -1
CORE	4210
CORE PLUG	4210
K.O.PIN	4210
SLEEVE	4210-1
ⓐ OUTER PIN	4210-1
PIN	4210-B
INSERT	11334



1/4-20 UNC-2B THREADED BUSHING 11334, H.H.BRASS



TEXTURED FINISH(RE-6310)  
TEXTURED TOP SURFACES (RE-6225)

ⓑ MATERIAL: 20% TALC-FILLED POLYPROPYLENE (BC9) Ⓒ  
COLOR: BLACK

TOLERANCES: UNLESS OTHERWISE SPECIFIED	DO NOT SCALE DRAWING	D	ADDED MAT. CODE	DS	1/29/07
		C	ADD OUTER PIN	LS	9/5/03
DECIMALS: X.XXX ± .005 X.XX ± .015	MM: X.XX ± 0.15MM X.X ± 0.4MM	B	Was polypropylene	MH	2/17/99
		A	CORRECTED DWG.W/ REVL. PLUG DETAILS	HD	1/25/95
FRACTIONS ± 1/64	ANG. ± 1°	CHANGES			