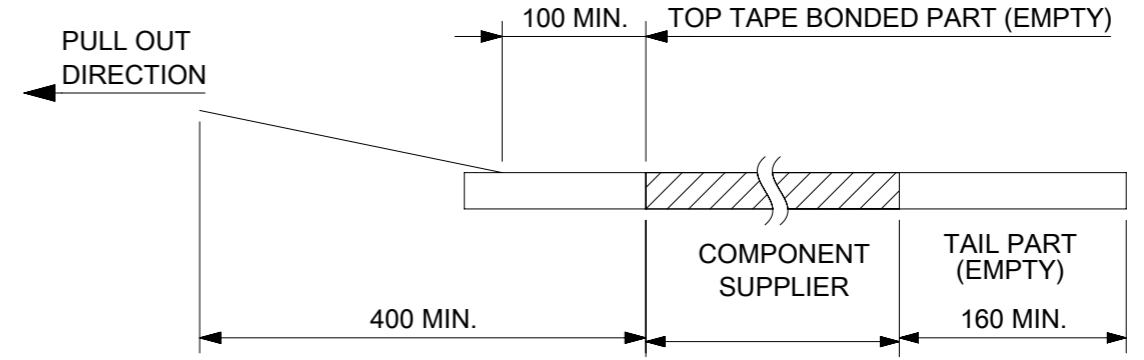
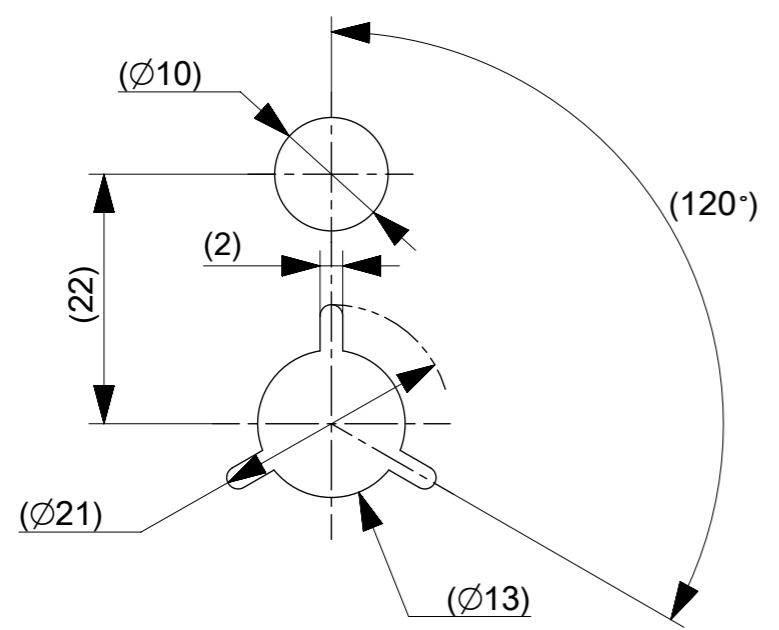


NOTES

1. FOR DIMENSION OF PRODUCT, REFER TO PRODUCT DRAWING.
2. NUMBER OF CONNECTORS : 7000PCS/REEL
3. LEAD TAPE LENGTH



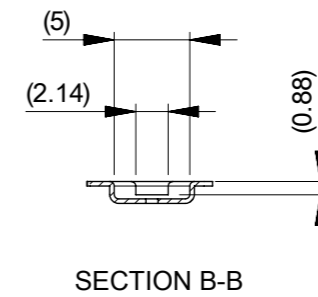
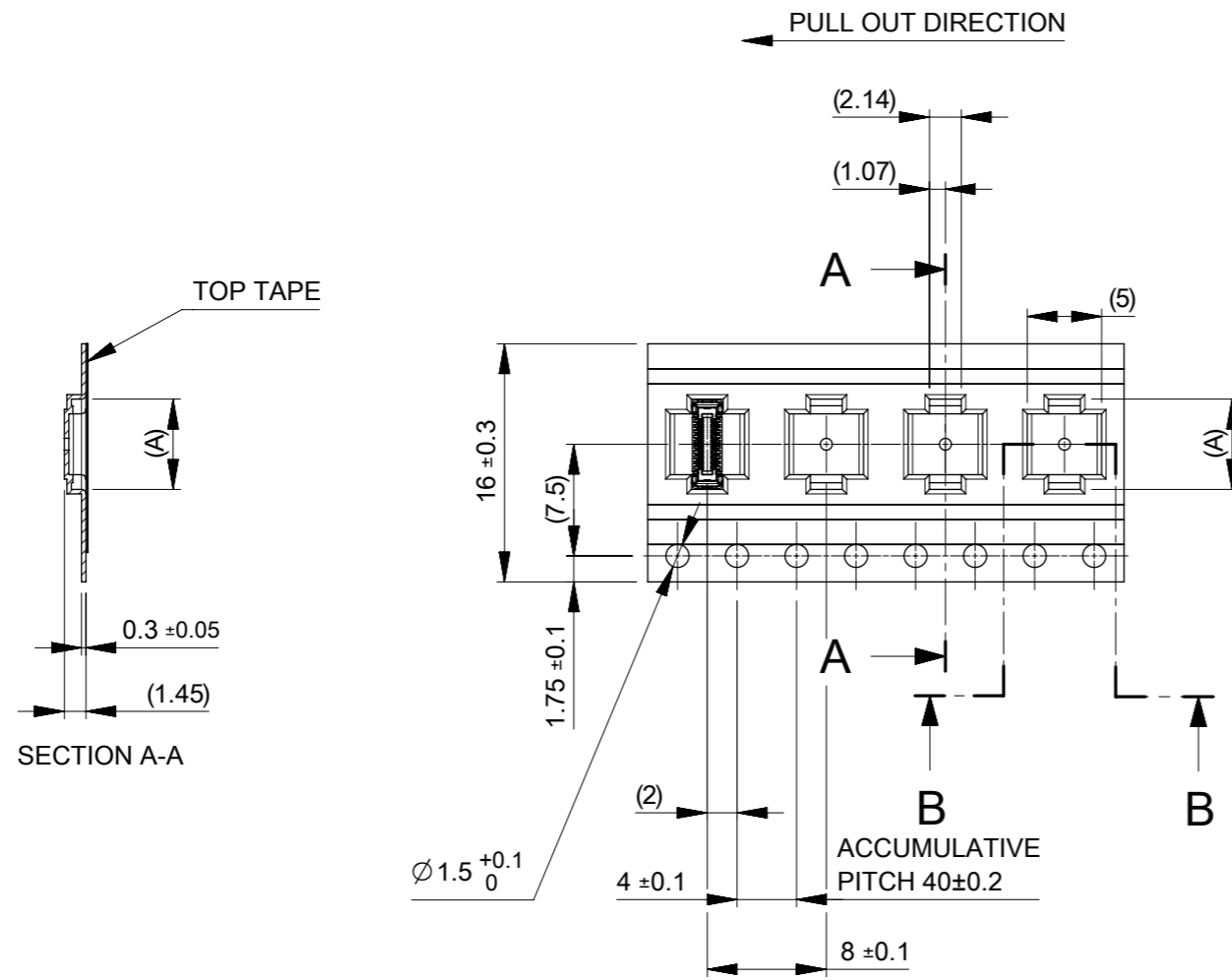
4. TOP TAPE PEEL FORCE IS DEFINED BY IEC60286-3.
5. MATERIAL  
 CARRIER TAPE : POLYSTYRENE  
 TOP TAPE : PET , OTHER  
 REEL : POLYSTYRENE (PS) < RECYCLE MATERIAL CONTAINED >



DETAIL "D"

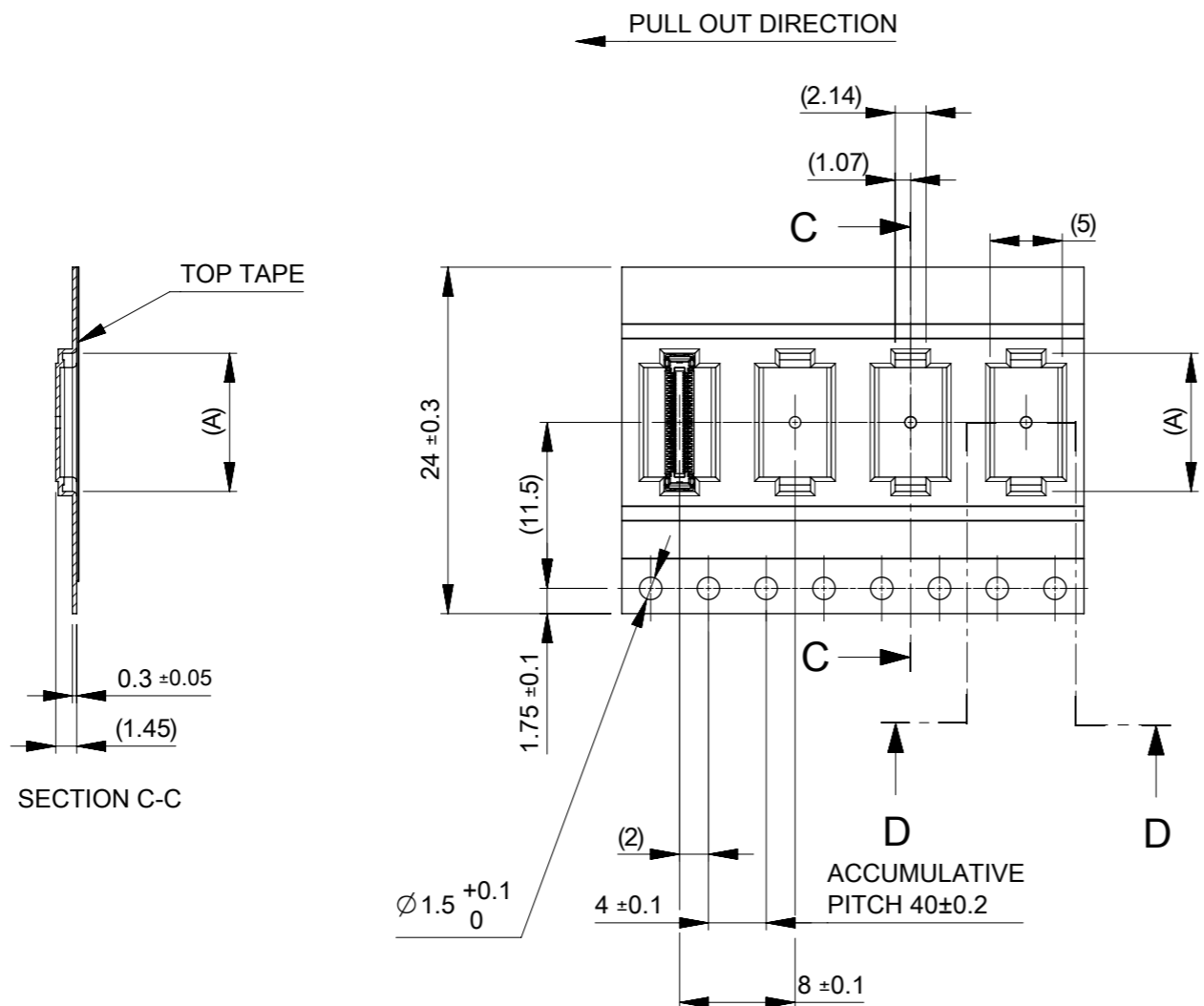
CONNECTOR SERIES NO. 505270\*\*09

THIS DRAWING CONTAINS INFORMATION THAT IS PROPRIETARY TO MOLEX ELECTRONIC TECHNOLOGIES, LLC AND SHOULD NOT BE USED WITHOUT WRITTEN PERMISSION									
DIMENSION UNITS	SCALE	CURRENT REV DESC: REMOVED OBSOLETE PART NUMBER AS PER PCN#509450.							
mm	NTS	<b>molex</b>  0.35 BB H=0.8 SSB8RP REC EMBSTP PKG  PRODUCT CUSTOMER DRAWING							
GENERAL TOLERANCES (UNLESS SPECIFIED)									
ANGULAR TOL	± 3.0 °								
4 PLACES	± 0.03								
3 PLACES	± 0.03								
2 PLACES	± 0.05	EC NO: 694111	2022/02/02		DOCUMENT NUMBER: 5052700001-SD DOC TYPE: PSD DOC PART: 000 REVISION: A1				
1 PLACE	± 0.1	DRWN: FSATO	2017/10/18						
0 PLACES	± 0.2	CHK'D: GGA	2022/03/31						
INITIAL REVISION:		APPR: MSASAO	2017/11/02						
DRAFT WHERE APPLICABLE MUST REMAIN WITHIN DIMENSIONS		THIRD ANGLE PROJECTION	DRAWING	SERIES					
			A3-SIZE	505270	SEE CHART	GENERAL	1 OF 3		



16	21.4	17.4	7.82	5052703012	○	---	30
			6.77	5052702412	○	---	24
			6.07	5052702012	○	---	20
			5.37	5052701612	○	---	16
			4.32	5052701012	○	---	10
			3.62	5052700612	○	---	6
キャリアテープ幅 CARRIER TAPE WIDTH	C	B	(A)	EMBOSSSED TAPE PACKAGE	HIGH VOL. TOOL	LOW VOL. TOOL	CIRCUIT
ORDER NO.	SAMPLE PREPARATION ○:TOOLED △:WOOK IN PROCESS ---:TOOLING TO BE CONFIRMED						

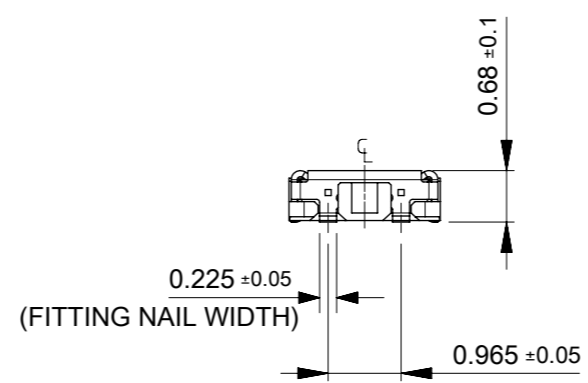
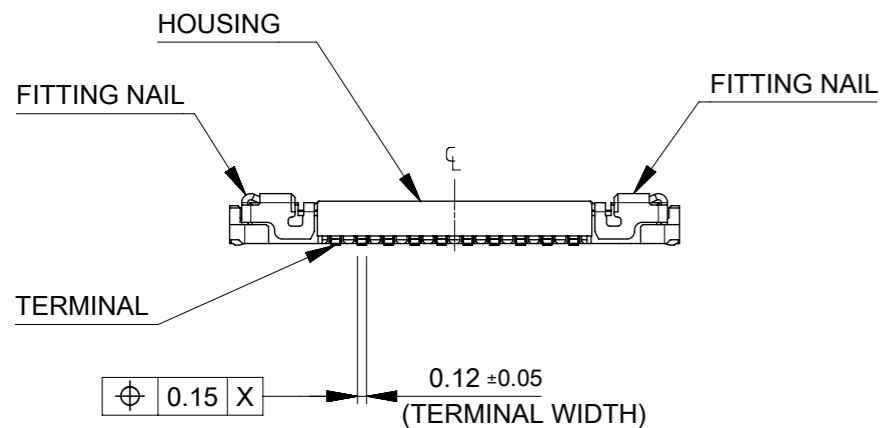
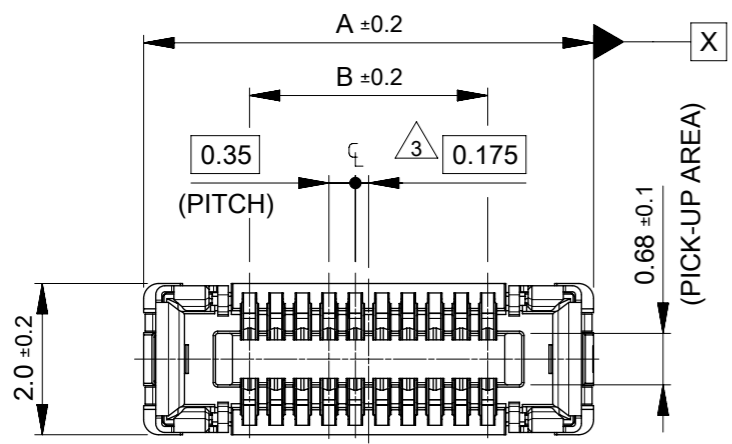
THIS DRAWING CONTAINS INFORMATION THAT IS PROPRIETARY TO MOLEX ELECTRONIC TECHNOLOGIES, LLC AND SHOULD NOT BE USED WITHOUT WRITTEN PERMISSION									
DIMENSION UNITS mm	SCALE NTS	CURRENT REV DESC: REMOVED OBSOLETE PART NUMBER AS PER PCN#509450.			<b>molex</b>				
GENERAL TOLERANCES (UNLESS SPECIFIED)		EC NO: 694111 DRWN: SANTHN 2022/02/02 CHK'D: GGA 2022/03/31 APPR: GGA 2022/03/31							
ANGULAR TOL ± 3.0°		INITIAL REVISION:			DOCUMENT NUMBER		DOC TYPE	DOC PART	REVISION
4 PLACES ± 0.03	DRWN: FSATO 2017/10/18			5052700001-SD		PSD	000	A1	
3 PLACES ± 0.03	APPR: MSASAO 2017/11/02			SEE CHART		GENERAL		2 OF 3	
2 PLACES ± 0.05	DRAFT WHERE APPLICABLE MUST REMAIN WITHIN DIMENSIONS			THIRD ANGLE PROJECTION	DRAWING A3-SIZE	SERIES 505270	MATERIAL NUMBER SEE CHART	CUSTOMER GENERAL	SHEET NUMBER 2 OF 3



24	29.4	25.4	12.02	5052705412	○	---	54
			9.57	5052704012	○	---	40
			8.52	5052703412	○	---	34
キャリアテープ幅 CARRIER TAPE WIDTH	C	B	(A)	EMBOSSED TAPE PACKAGE ----- ORDER NO.	HIGH VOL. TOOL	LOW VOL. TOOL	CIRCUIT
				SAMPLE PREPARATION ○:TOOLED △:WORK IN PROCESS ---:TOOLING TO BE CONFIRMED			

THIS DRAWING CONTAINS INFORMATION THAT IS PROPRIETARY TO MOLEX ELECTRONIC TECHNOLOGIES, LLC AND SHOULD NOT BE USED WITHOUT WRITTEN PERMISSION

DIMENSION UNITS <b>mm</b>	SCALE <b>NTS</b>	CURRENT REV DESC: REMOVED OBSOLETE PART NUMBER AS PER PCN#509450.	<b>molex</b>				
GENERAL TOLERANCES (UNLESS SPECIFIED)						0.35 BB H=0.8 SSB8RP REC EMBSTP PKG	
ANGULAR TOL	± 3.0 °	EC NO: 694111	PRODUCT CUSTOMER DRAWING				
4 PLACES	± 0.03	DRWN: SANTHN 2022/02/02	DOCUMENT NUMBER				
3 PLACES	± 0.03	CHK'D: GGA 2022/03/31	DOC TYPE				
2 PLACES	± 0.05	APPR: GGA 2022/03/31	DOC PART				
1 PLACE	± 0.1	INITIAL REVISION:	REVISION				
0 PLACES	± 0.2	DRWN: FSATO 2017/10/18	5052700001-SD				
DRAFT WHERE APPLICABLE MUST REMAIN WITHIN DIMENSIONS		THIRD ANGLE PROJECTION	DRAWING	SERIES	MATERIAL NUMBER	CUSTOMER	SHEET NUMBER
			A3-SIZE	505270	SEE CHART	GENERAL	3 OF 3



**NOTES**

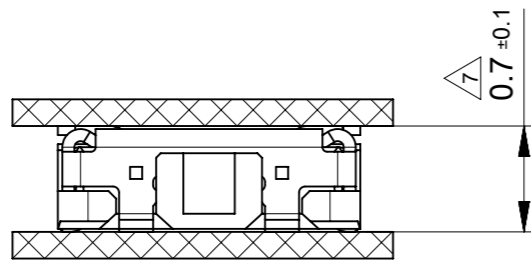
1. MATERIAL  
HOUSING : LIQUID CRYSTAL POLYMER UL94V-0(COLOR : BLACK)  
TERMINAL : COPPER ALLOY  
FITTING NAIL : COPPER ALLOY
2. PLATING  
TERMINAL :  
GOLD  
UNDER PLATING : NICKEL  
\*DIVIDE INTO PARTS THE GOLD PLATING OF THE CONTACT AND THE TAIL PART BY THE NICKEL PLATING.  
FITTING NAIL :  
GOLD(ONLY CONTACT AND TAIL PART)  
UNDER PLATING : NICKEL
3. APPLY FOR (CIRCUIT/2)=EVEN
4. MATE WITH : 505070\*\*22/\*\*42 (H=0.7) , 505274\*\*12/\*\*42 (H=0.8)
5. TAIL AND FITTING NAIL COPLANARITY TO BE 0.08MAXIMUM.
6. PROHIBITED AREA OF PATTERN WIRING AND SOLDER.  
(FOR EACH AREA, THE WIRING THAT TOUCHES ON THE SOLDER CAN BE ATTACHED, THEN COVERED WITH A FILM TO KEEP SOLDER OUT.)
7. THIS DIMENSION SHOWS THE DIMENSION BETWEEN SOLDERING SURFACE OF SOLDER TAILS.

9.1	11.9	5052705412	○	---	54
6.65	9.45	5052704012	○	---	40
5.6	8.4	5052703412	○	---	34
4.9	7.7	5052703012	○	---	30
3.85	6.65	5052702412	○	---	24
3.15	5.95	5052702012	○	---	20
2.45	5.25	5052701612	○	---	16
1.4	4.2	5052701012	○	---	10
0.7	3.5	5052700612	○	---	6

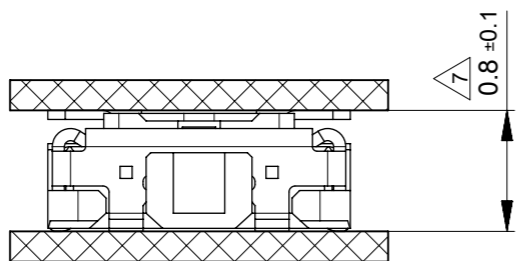
B	A	EMBOSSSED TAPE PACKAGE	MASS PRODUCTION	LOW VOL.TOOL	CIRCUIT
		ORDER No.	SMAPLE PREPARATION ○:TOOLED △:WORK IN PROCESS ---:TOOLING TO BE CONFIRMED		
		CONNECTOR SERIES No. : 505270**09			

THIS DRAWING CONTAINS INFORMATION THAT IS PROPRIETARY TO MOLEX ELECTRONIC TECHNOLOGIES, LLC AND SHOULD NOT BE USED WITHOUT WRITTEN PERMISSION

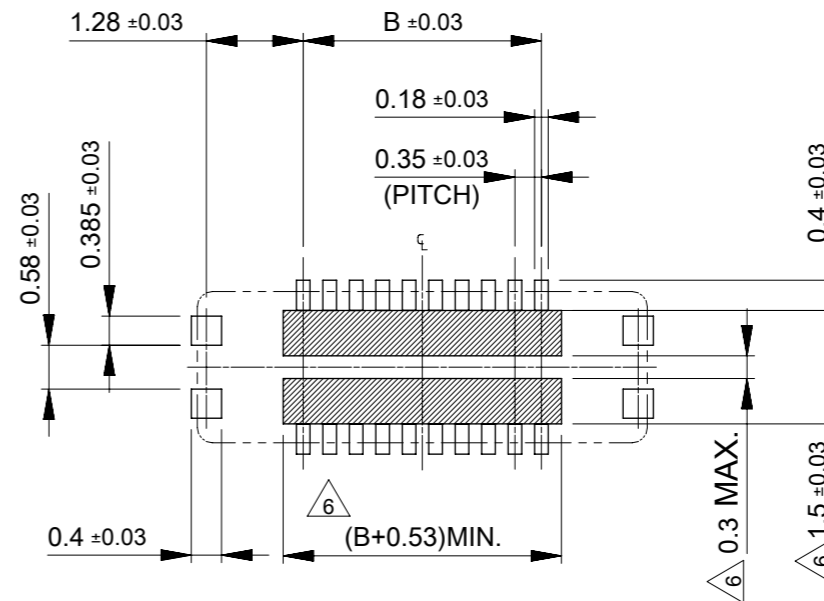
DIMENSION UNITS <b>mm</b>	SCALE <b>10:1</b>	CURRENT REV DESC: REMOVED OBSOLETE PART NUMBER AS PER PCN#509450.	<b>molex</b>		
GENERAL TOLERANCES (UNLESS SPECIFIED)		EC NO: 694111			
ANGULAR TOL ± 3.0 °	4 PLACES ± 0.03	DRWN: SANTHN 2022/02/02	PRODUCT CUSTOMER DRAWING		
3 PLACES ± 0.03	2 PLACES ± 0.05	CHK'D: GGA 2022/03/31	DOCUMENT NUMBER		
2 PLACES ± 0.05	1 PLACE ± 0.1	APPR: GGA 2022/03/31	5052701001-SD		
1 PLACE ± 0.1	0 PLACES ± 0.2	INITIAL REVISION: DRWN: FSATO 2017/10/18 APPR: MSASAO 2017/11/02	DOC TYPE PSD	DOC PART 000	REVISION B1
DRAFT WHERE APPLICABLE MUST REMAIN WITHIN DIMENSIONS	THIRD ANGLE PROJECTION	DRAWING A3-SIZE	SERIES 505270	MATERIAL NUMBER SEE CHART	CUSTOMER GENERAL
				SHEET NUMBER 1 OF 2	



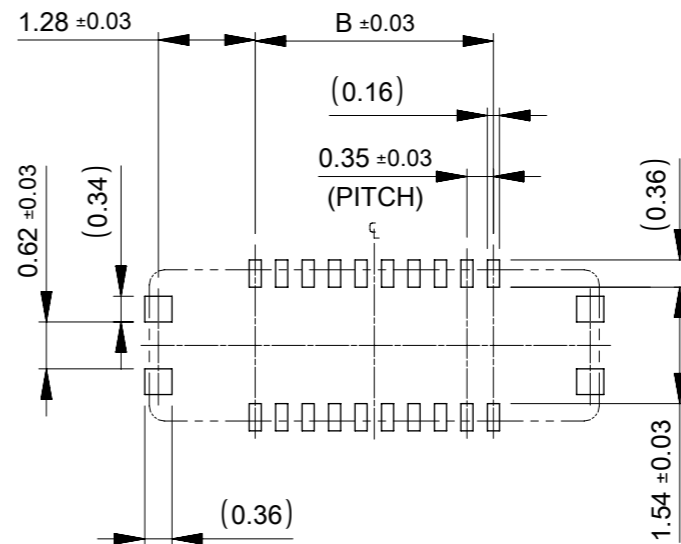
MATED CONDITION (505270/505070)



MATED CONDITION (505270/505274)


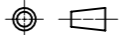


RECOMMENDED P.W.BOARD PATTERN LAYOUT (REFERENCE)



RECOMMENDED METAL MASK LAYOUT (REFERENCE)

RECOMMENDED THICKNESS OF METAL MASK : t=0.08mm  
 RECOMMENDED OPEN APERTURE RATIO OF METAL MASK : 80%

THIS DRAWING CONTAINS INFORMATION THAT IS PROPRIETARY TO MOLEX ELECTRONIC TECHNOLOGIES, LLC AND SHOULD NOT BE USED WITHOUT WRITTEN PERMISSION									
DIMENSION UNITS	SCALE	CURRENT REV DESC: REMOVED OBSOLETE PART NUMBER AS PER PCN#509450.							
mm	10:1	 0.35 BB CONN. H=0.8 SSB8RP REC. ASSY							
GENERAL TOLERANCES (UNLESS SPECIFIED)									
ANGULAR TOL	± 3.0 °	PRODUCT CUSTOMER DRAWING							
4 PLACES	± 0.03	EC NO: 694111	2022/02/02	DOCUMENT NUMBER					
3 PLACES	± 0.03	DRWN: SANTHN	2022/03/31	DOC TYPE					
2 PLACES	± 0.05	CHK'D: GGA	2022/03/31	DOC PART					
1 PLACE	± 0.1	APPR: GGA	2022/03/31	REVISION					
0 PLACES	± 0.2	INITIAL REVISION:		5052701001-SD					
DRAFT WHERE APPLICABLE MUST REMAIN WITHIN DIMENSIONS		DRWN: FSATO	2017/10/18	MATERIAL NUMBER		CUSTOMER		SHEET NUMBER	
		APPR: MSASAO	2017/11/02	SEE CHART		GENERAL		2 OF 2	
		THIRD ANGLE PROJECTION	DRAWING	SERIES					
			A3-SIZE	505270					