

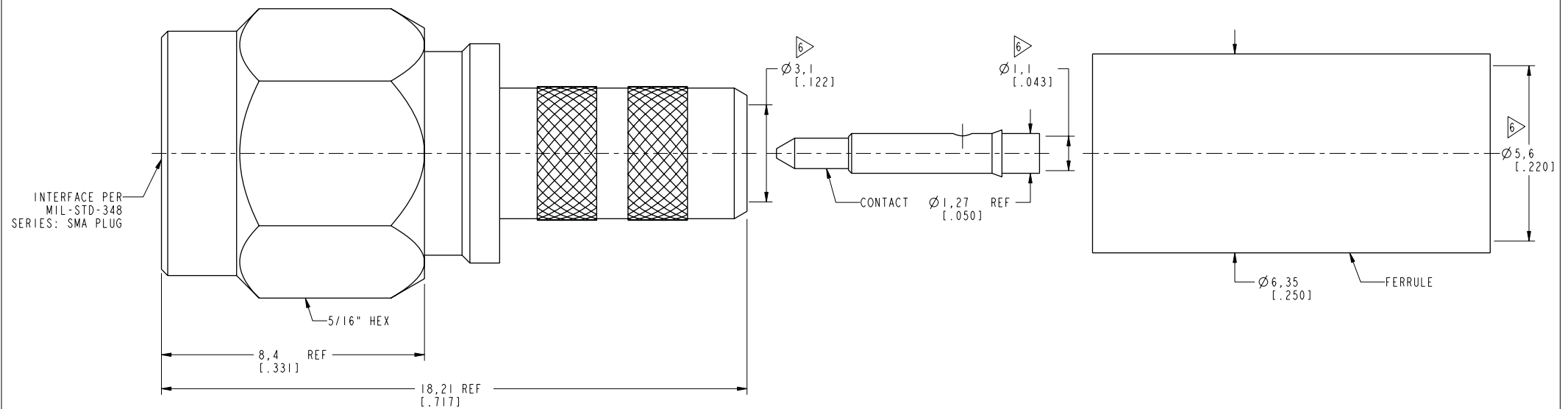
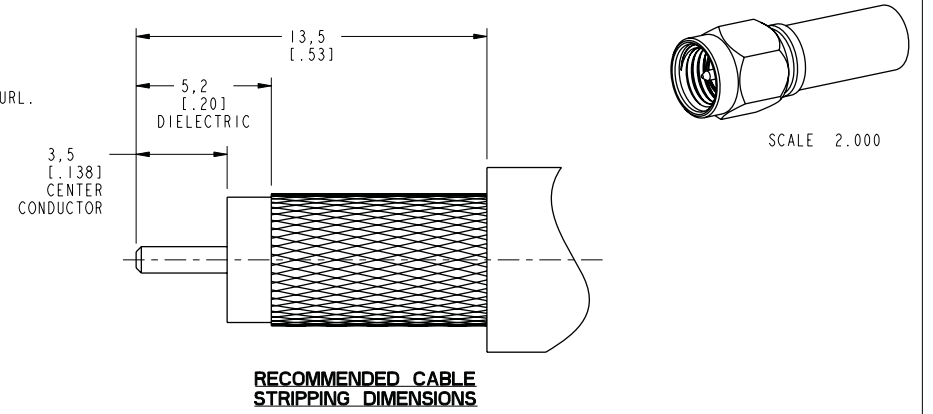
NOTES:

1. MATERIALS AND FINISHES:
 BODY, SHELL, FERRULE &
 CONTACT PIN - BRASS, GOLD PLATING
 INSULATOR - PTFE, NATURAL
 GASKET - SILICONE RUBBER, RED
 RETAINING RING - STAINLESS STEEL, NATURAL
2. ELECTRICAL:
 A. IMPEDANCE: 50 OHM
 B. FREQUENCY RANGE: DC - 12.4 GHz
 C. VSWR : 1.15 + (0.01 X F IN GHz)MAX.
 D. DIELECTRIC WITHSTANDING VOLTAGE: 1000 VRMS, MIN.
3. MECHANICAL:
 A. DURABILITY: 500 CYCLES MIN.
 B. TEMPERATURE RANGE: -65° C TO +165° C
 C. CENTER CONTACT RETENTION - 4 LBS MIN. (AFTER ASSEMBLY)

4. PACKAGING:
 A. QUANTITY: SINGLE PACK
 B. MARKING: BAG TO BE MARKED
 "AMPHENOL RF, 901-9871, AND DATE CODE"
 5. CABLE ASSEMBLY INSTRUCTIONS:
 A. TRIM CABLE AS SHOWN.
 B. SLIDE FERRULE ONTO CABLE.
 C. SOLDER CABLE CENTER CONDUCTOR TO CONTACT.
 D. INSERT CABLE ENTERING CONNECTOR AND BRAID OVER KNURL.
 E. CRIMP FERRULE OVER BRAID WITH .213" HEX DIE.
6. SHOWS CABLE ENTRY DIMENSIONS.

THIRD ANGLE PROJ.

REVISIONS				
REV	DESCRIPTION	DATE	ECO	APPR
A	RELEASE TO MFG.	04-Apr-95	40348	PB/RAV
D	REDRAWN IN PRO-E	19-May-15	50409	MD



CUSTOMER OUTLINE DRAWING
 ALL OTHER SHEETS ARE FOR INTERNAL USE ONLY

UNLESS OTHERWISE SPECIFIED, DIMENSIONS ARE IN INCHES AND TOLERANCES ARE: 2 PLACE DECIMAL \pm .015 (0.381 mm) 3 PLACE DECIMAL \pm .005 (0.127 mm) ANGLES \pm 1°	MATERIAL	DRAWN	DATE	TITLE SMA STR PLUG FOR RG-223/U CABLE		Amphenol RF www.amphenolrf.com	
	SEE NOTES	M. DONG	18-Apr-15				
NOTICE - These drawings, specifications, or other data (1) are, and remain the property of Amphenol Corp. (2) must be returned upon request; and (3) are confidential and not to be disclosed to any person other than those to whom they are given by Amphenol Corp. the furnishing of these drawings, specifications, or other data by Amphenol Corp., or to any other person to anyone for any purpose is not to be regarded by implication or otherwise in any manner licensing, granting rights to permitting such holder or any other person to manufacture, use or sell any product, process or design, patented or otherwise, that may in any way be related to or disclosed by said drawings, specifications, or other data.	REFERENCE	ENGINEER	DATE	SCALE: 8.2:1.0		DRAWING NO. SMA1111A1-10GT50G-223U-50	
	EAR # 111-964413 & EAR # 966276-0	RAV	31-Mar-95	SHEET 2 OF 2		ITEM NO. 111111AAA26GK5F	
	CONFIGURATION LEVEL: In Work	CAD FILE	APPROVED	DATE	DWG SIZE		PART NO. 901-9871
FINISH		S. HSIEH	14-Aug-08	B		REV D	