



PRODUCT CHANGE NOTIFICATION

Date: June 25, 2015
 PCN: PCN LEDIL 105 b

Subject: PCN 105.b - Replacement of C13185_GERI-RZ lens with F13185_GERI-RZ

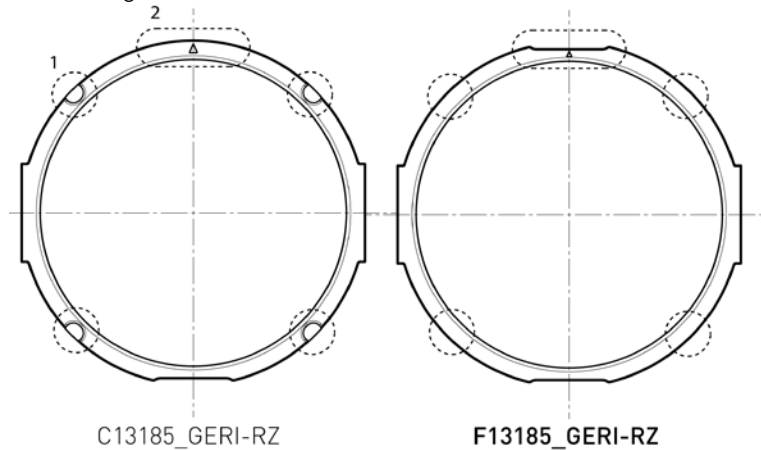
Description: As part of our continuous improvement process regarding the quality of our products LEDiL has replaced C13185_GERI-RZ lens with **F13185_GERI-RZ**. C13185_GERI-RZ is moved into EOL status and will not be manufactured anymore.

Time line: We will deplete existing stock before making the change

Affected products: C13185_GERI-RZ
 CN13741_GERI-RZ

Changes: C13185_GERI-RZ lens used in the assembly CN13741_GERI-RZ is changed into **F13185_GERI-RZ**.

There are minor differences made in lens geometry that help to differentiate between lens versions (please see below picture):
 1) We have removed four notches from the edge of the F13185_GERI-RZ lens
 2) We have added additional flat gating surface to the edge of the F13185_GERI-RZ lens



Optical performance of GERI-lenses is improved and we will change following optical specifications

	C13185_GERI-RZ (old)	F13185_GERI-RZ (new)
Imax (cd/lm)	6,58	8,26
FWHM	17	16
10%	37	33
LOR %	85	89



Contact information:

Tero Mäkinen
LEDIL Oy
Salorankatu 10
24240 SALO, FINLAND
tero.makinen@ledil.com