



specifications

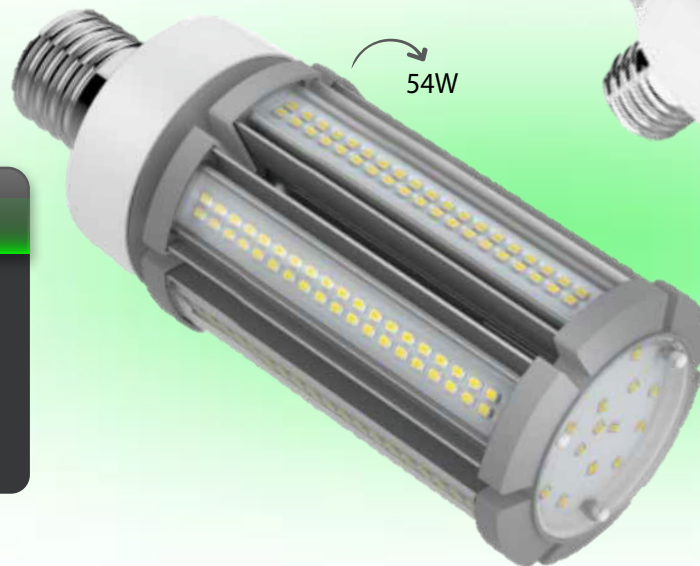
Voltage	CRI	Lens	Heat Sink	L70 hours	Surge Protection	Ambient Temp (F)	Power Factor	UL listing	THC	Beam Angle	Enclosed Fixture Rated
347-480V ⚡	> 80	clear polycarbonate	aluminum	50,000	4 KV built-in	-40° - 113°	> 0.9	damp location	< 20%	omni-directional	yes

select your lamp

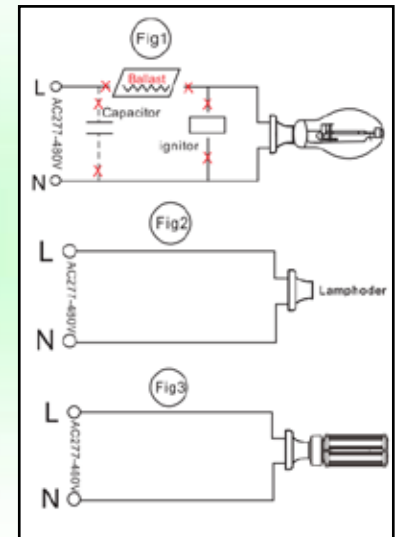
Part Number	Color Temp	Base	Lumen Output	Efficacy	Consumption	Dimensions	Gross Weight
GI-CC-360C250-480UL4	5000K	EX39	8,100	150 lm / W	54 W	3.36" (D) x 7.76" (L)	1.94 lbs
GI-CC-360C400-480UL4	5000K	EX39	15,000	150 lm / W	100 W	5.16" (D) x 10.16" (L)	3.33 lbs

other

Warranty	Case QTY
6 years	16 pcs



Installation Diagram



- Features**
- > Isolated driver for optimal heat dissipation
 - > 50,000 hour LED lifespan based on IES LM-80 results and TM-21 calculations
 - > Shatterproof and flame retardant



Not all product variations listed on this page may be DLC qualified. Visit www.designlights.org/search to confirm qualification.

