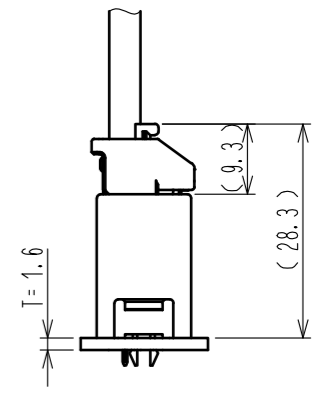
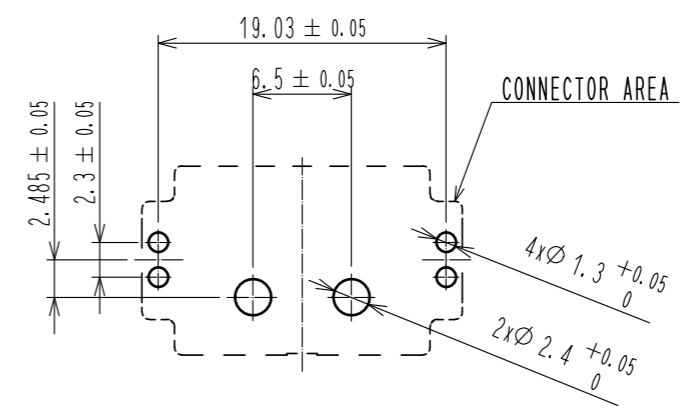
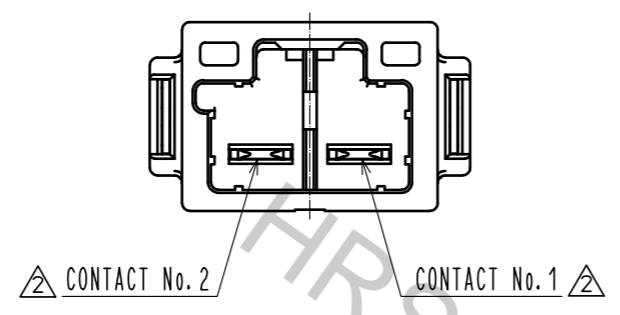
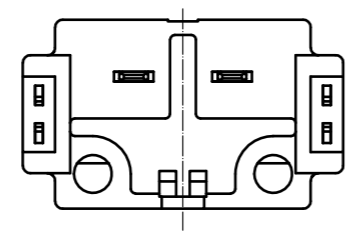
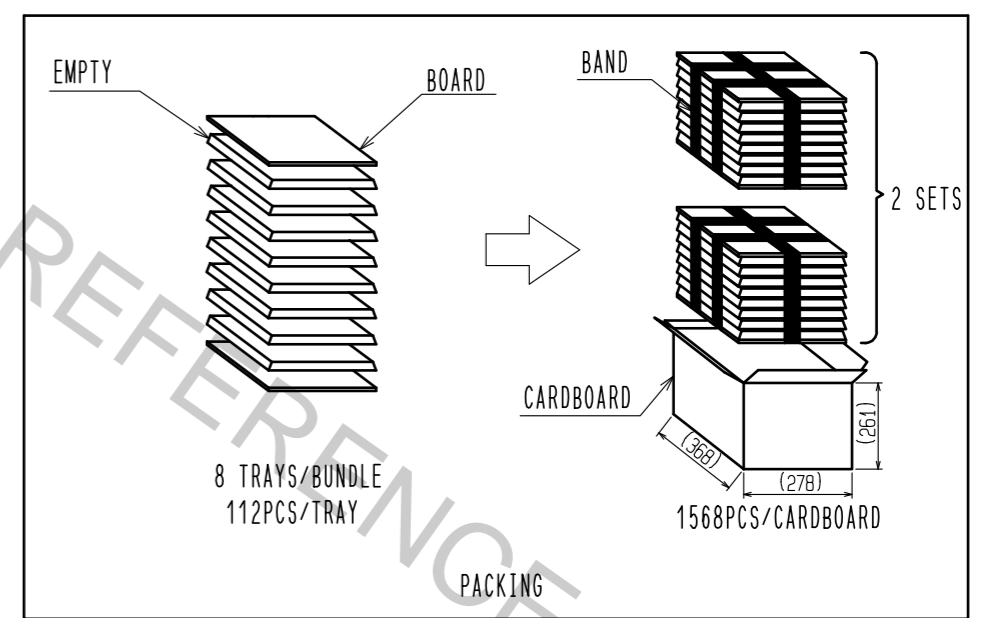
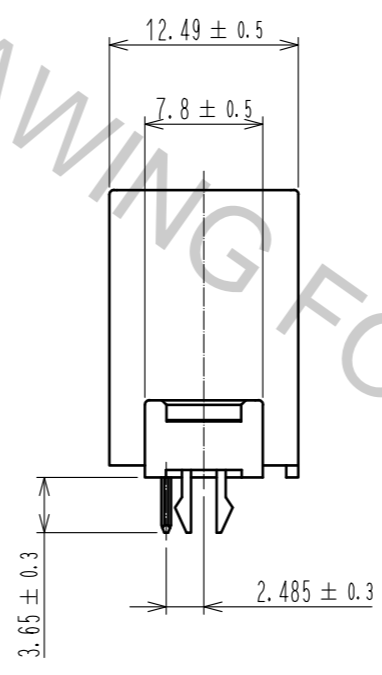
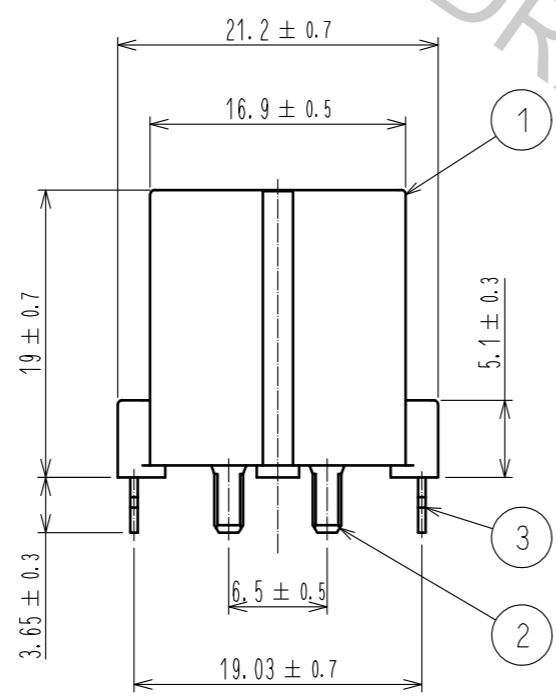
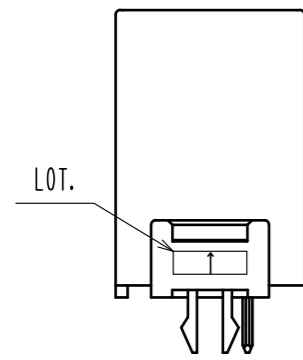


ELV, RoHS COMPLIANT



RECOMMENDED PCB DIMENSIONS(T=1.6)

MATED CONNECTORS (1:1)



2	COPPER ALLOY	TIN PLATED			
1	PA	BLACK. UL94V-0	3	PHOSPHOR BRONZE	TIN PLATED
NO.	MATERIAL	FINISH . REMARKS	NO.	MATERIAL	FINISH . REMARKS
UNITS mm		SCALE 2 : 1	COUNT 2	DESCRIPTION OF REVISIONS DIS-T-00000767	DESIGNED HH. TSUKUMO
					CHECKED HK. UMEHARA
					DATE 15. 12. 16
<b>HRS</b> HIROSE ELECTRIC CO., LTD.		APPROVED : AR. SHIRAI	11. 04. 21	DRAWING NO. EDC-168138-00-00	
		CHECKED : TY. TAKAHASHI	11. 04. 21	PART NO. GT28-2P-6. 5DSA	
		DESIGNED : TY. SAKASHITA	11. 04. 20	CODE NO. CL778-0004-0-00	
		DRAWN : TY. SAKASHITA	11. 04. 20		

Apr.1.2017 Copyright 2017 HIROSE ELECTRIC CO., LTD. All Rights Reserved.