



- THD available on the Current measurement
- 0,5 % Accuracy
- RS485 Modbus integrated
- Bidirectional Energy metering
- Din rail mountable
- Fully configurable by free interface software
- Bootloader for updating firmware
- Available Measure register: MSW first, LSW first or hundreds



Technical data

Function

Single-phase Power meter able to measure RMS AC or DC Current and Voltage.

1. Mechanical design

PBT plastic housing, IP rating IP20
DIN-rail mountable with DIN-rail clips (included) for horizontal/vertical mounting, screw predisposition for horizontal/vertical mounting
Mounting position: any
Dimensions: 46,1 x 63 x 26,4mm (without connectors)
Ø15mm (current transformer)
Terminals:
- 1,5mm² 4-pole connector (3,5mm pitch)
- 1,5mm² 2-pole connector (3,5mm pitch)
DIP-switch: 2 poles (Baudrate and Address) for connection with the configuration software
Weight: 80g

2. Indicators

Yellow LED ON: indication of supply voltage
Yellow LED flashing: indication of communication via RS485

3. Power Supply

Input: 9...30 V DC; terminals Pow(+), GND(-)
Protection against polarity reversal and overtemperature
Power consumption: < 1,3 W

4. RS485 Modbus RTU

Baudrate: 1200 ... 115200 Baud (Standard: 9600); terminals GND, A+, B-

5. Measuring circuit

Measurements available: Irms, Vrms, Watt, Var, Va, Vpk, Ipk, Frequency, Cosφ, Energy bidirectional, THD, MIN and MAX of each measure
Type of Measure: RMS or DC
Sampling rate: 11k samples per second
Crest factor: 1,8 (current measurement)
Working frequency: 1 ... 400Hz or DC
Input impedance: 1MΩ ±1%
Range:
Current: up to 50A AC/DC
Voltage: up to 800V AC / 1000V DC

6. Accuracy (@25°C up to 200Hz)

Current sensors:
Voltage, Current, Active Power: < 0,5% f.s.
Frequency: +/- 0,1 Hz
Energy: +/- 1% of reading
Vpeak, I peak: +/- 5% f.s.
Range 500mV < V < 10V: Maximum error 0,5%
Temperature coefficient: <100ppm/°C
Band Width: > 800Hz

7. General specifications

Temperature coefficient: < 200 ppm/°C
Operation temperature: -15 to +65°C

Storage temperature: -40 to +85°C
Humidity: 10 to 90% (not condensing)
Altitude: Up to 2000m above sea level
Overvoltage category: Cat III up to 600V;
Cat II up to 1000V

Isolation: 3kV on bare wire for Current measure
4kV for Voltage measure (reinforced insulation to power supply and serial output)
Standards: EN61000-6-4/2006 + A1 2011;
EN64000-6-2/2005; EN61010-1/2010
Certifications: CE, UL recognized component

Configuration: With software or via RS485 Modbus.
Communication to free interface program for:
- configuration of all the available parameters;
- possibility of firmware upgrade (if available).

DIP-switch:

DIP 1	DIP 2	
0	0	All settings from Eeprom
1	0	Address 1, Baudrate 9600
1	1	Address 1, Baudrate 38400

Remarks:

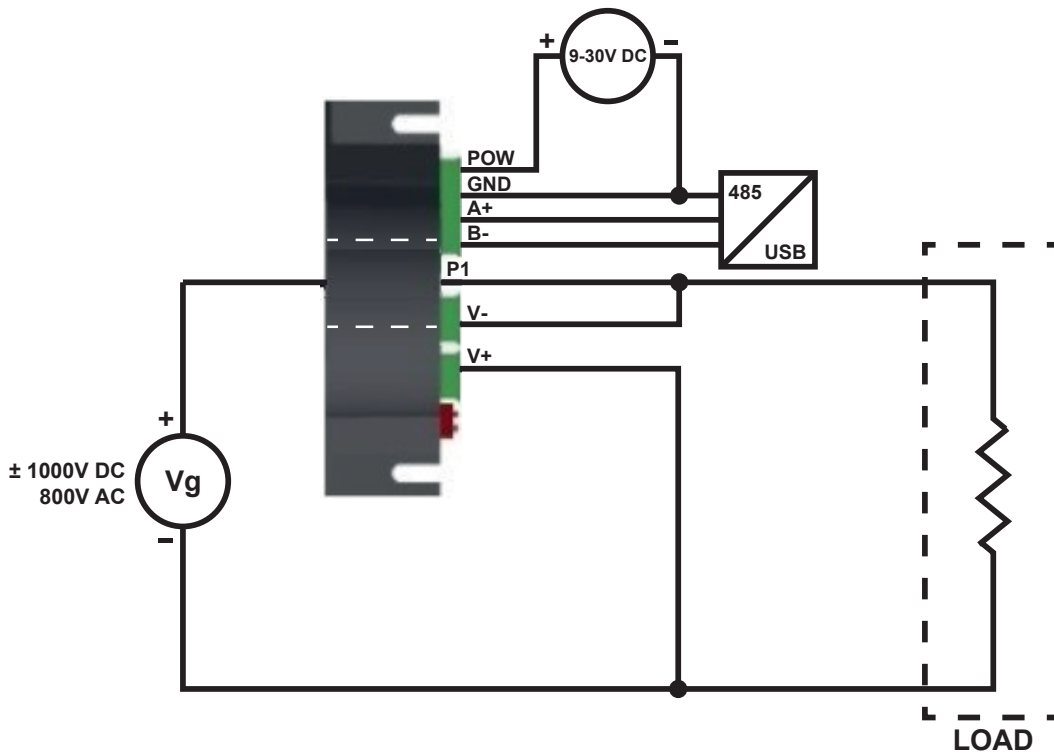
- Modbus connection: A+ and B- as per Modbus RTU standard
- Modbus Register reference: with reference to the logical address, for example 40010, corresponds to physical address n°9 as per Modbus RTU standard
- Modbus functions supported: 3 (read multiple registers, max 100), 6 (write single), 16 (write multiple)
- **Any changes made by dip-switch requires to reset via power supply or sending reset command**

Energy storage data on flash memory: 4,5 years minimum, 45 years typical
Minimum Current measurement (cut off): 250mA
Minimum Power measurement (cut off): 1 W
Measurement refresh: every 50 cycles or 1 second (the faster), programmable with software

Configuration software

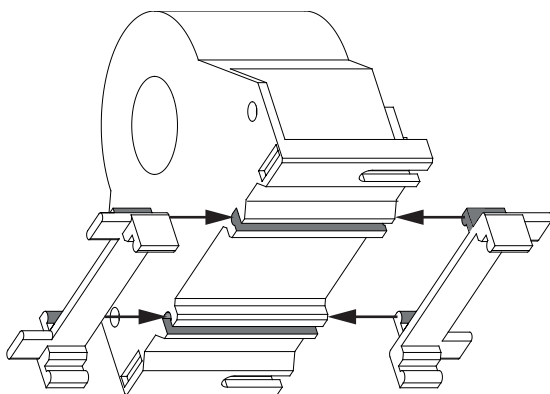
The free interface software is downloadable from our website www.tele-online.com/products/sensact
To communicate with the module you have to connect via USB port directly on your PC using the serial converter S-USB485; part No. 498513.
You can configure the module via RS485 using the register map downloadable at www.tele-online.com/products/sensact

Connections

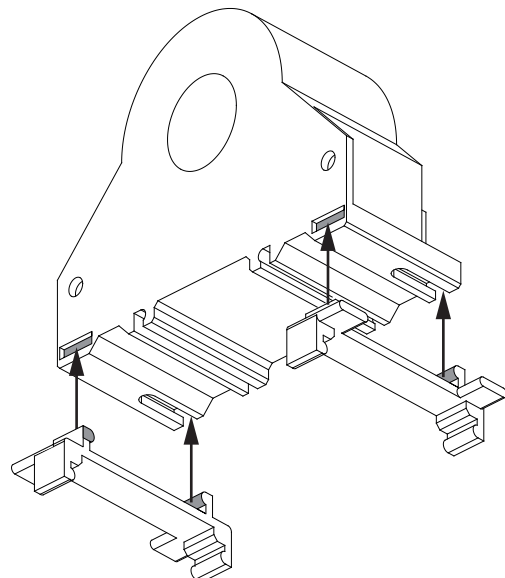


Positioning clips for DIN-rail

For vertical DIN-rail mounting



For horizontal DIN-rail mounting



TELE Haase Steuergeräte Ges.m.b.H.
Vorarlberger Allee 38
AT-1230 Vienna, AUSTRIA

RELEASE 2018/03

Subject to alterations and errors

