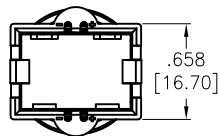
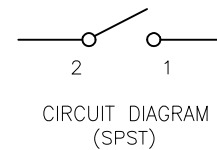
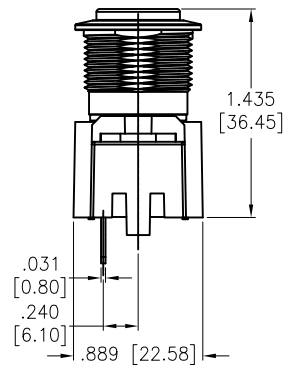
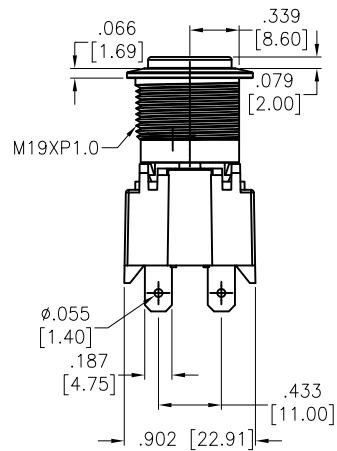
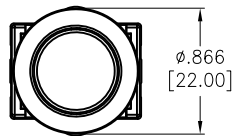


APPROVED: _____

DATE: _____ TITLE: _____

Rev	AWO #	Description	Date	Appr
-		RELEASED	11/2/21	



SPECIFICATIONS:

Material:

Body: PA66, Rated UL94V-0
 Bushing: Stainless Steel, Varnish polished
 Button: Stainless Steel, Varnish polished
 O-Ring: Silicone

Contact Material: Silver Alloy (4.80mm)

Terminal: Brass, Silver plated

Electrical:

Switch Rating: 16A @ 125V/250V AC

Contact resistance: 300 mΩ max.

Insulation resistance: 100M ohms min @ 500V DC.

Dielectric withstanding voltage: 1500 VAC for 1 Min.

Electrical Life: 10,000 cycles min at full load.

Temperature Rating:

Operating temperature: -30°C to +85°C

Environmental:

IP65 Front Panel Protection
 Lead free, RoHS compliant



UNLESS OTHERWISE SPECIFIED ALL DIMENSIONS ARE INCHES [MM]. TOLERANCES: EXCEPT AS NOTED

INCHES		HOLES	
.x	± .10	∅x	± .10
.xx	± .020	∅xx	± .015
.xxx	± .015	∅xxx	± .010



909 Rahway Avenue,
 Union, NJ 07083
 Phone: 908-687-5000
 Fax: 908-687-5710

DRAWN	JJ	11/2/21
CHECKED	RC	11/2/21
APPROVED		

TITLE SWITCH, ANTI-VANDAL SEALED, PUSH BUTTON, SPST, 19mm, LATCHING, .187 QUICK TERMINAL

THIS DRAWING CONTAINS INFORMATION THAT IS PROPRIETARY AND SHOULD NOT BE USED WITHOUT PRIOR WRITTEN PERMISSION FROM ADAM TECH

SIZE X	PART NO. SW-PB7-05B22FR	REV. -
REF: S00198T	SCALE: NTS	SHEET 1 OF 1