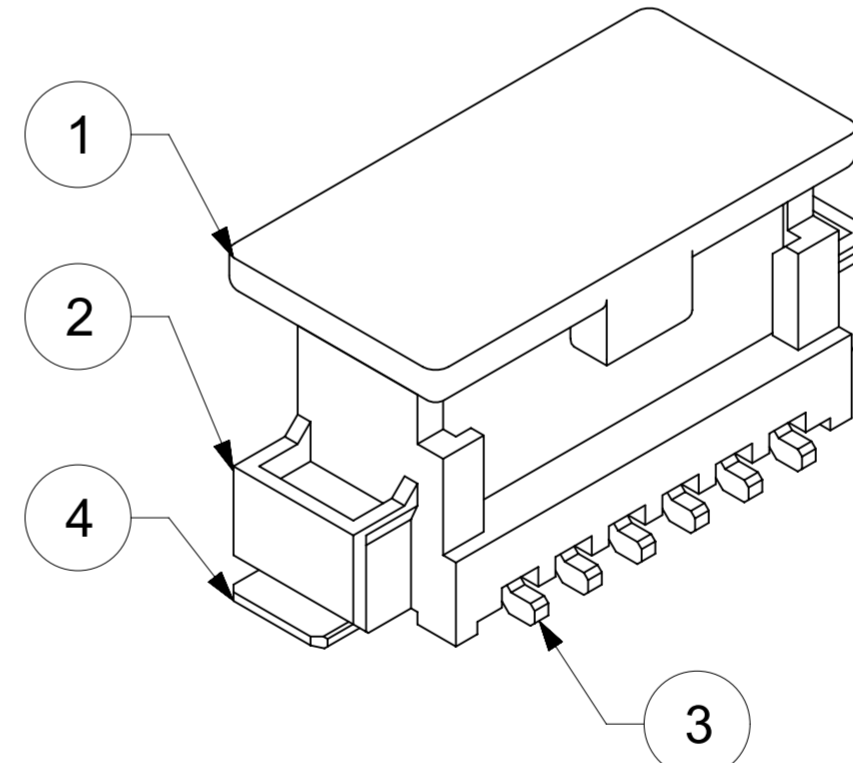
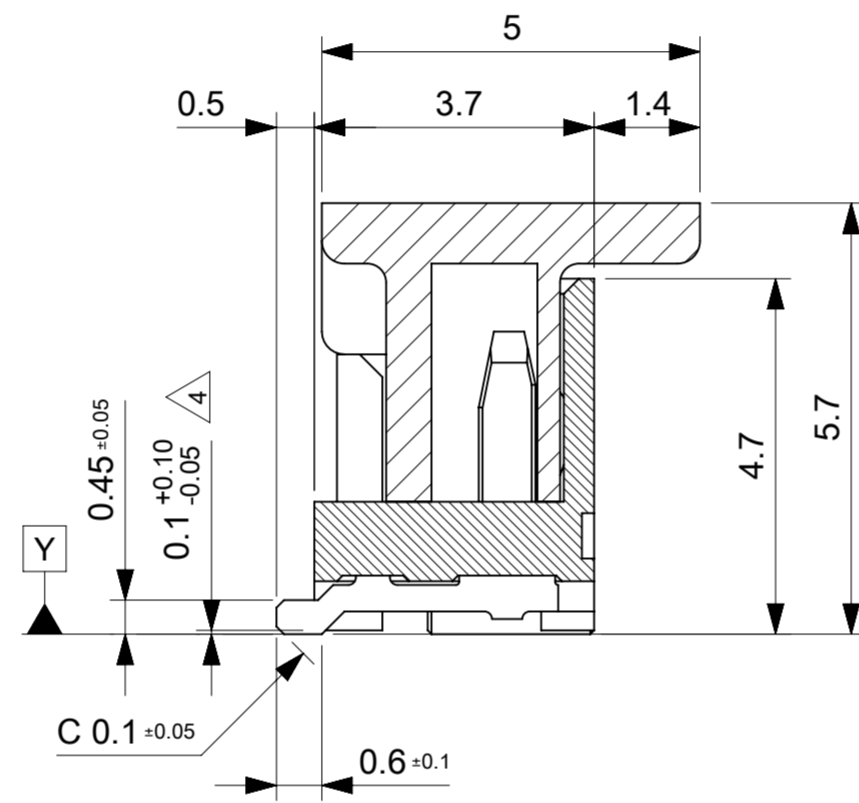
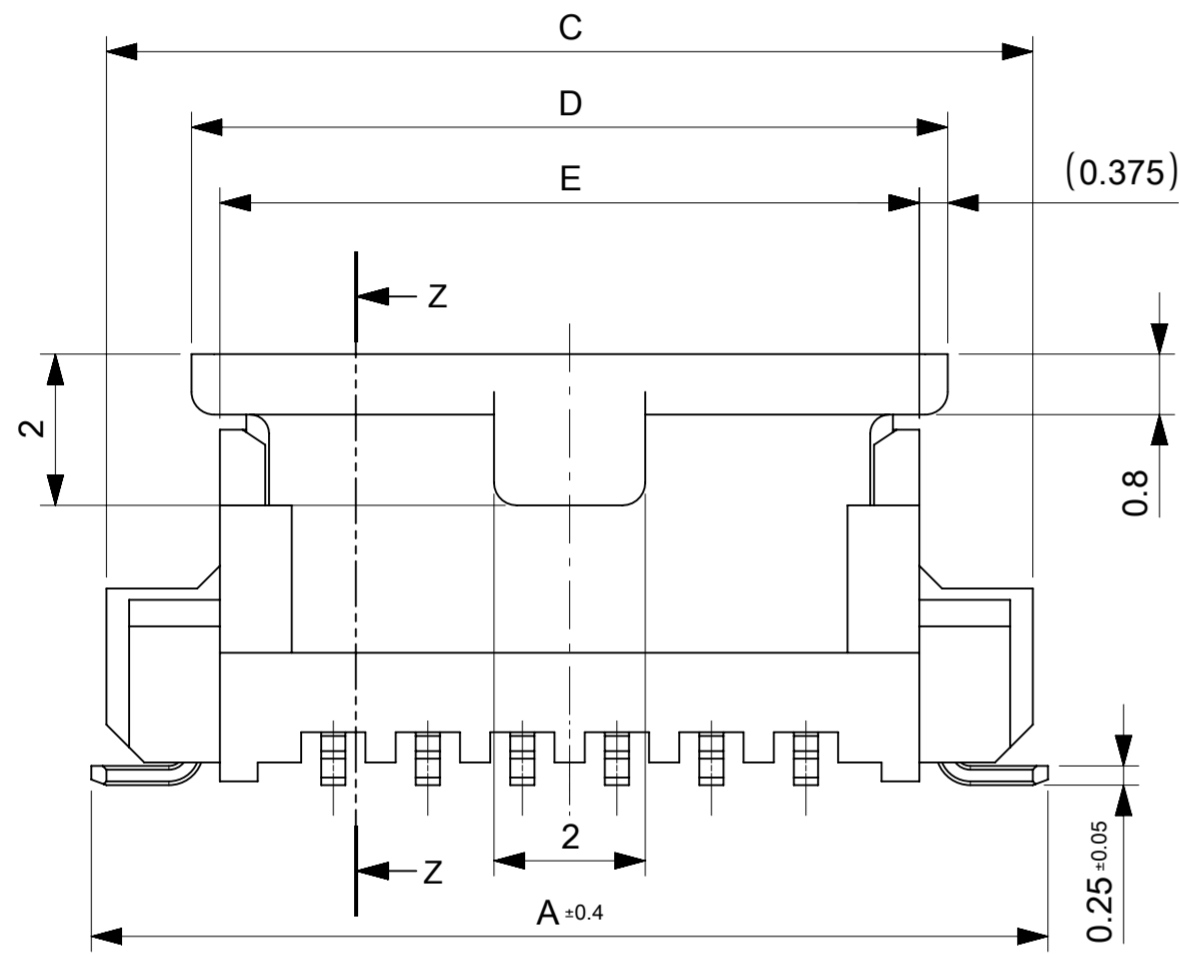


NOTES

- ① 材料および仕上げ (めっき仕様) : TABLE 1参照  
MATERIAL AND FINISHES : SEE TABLE 1
- ② 適用製品及び各種仕様書はSHEET 4を参照のこと  
REFER TO SHEET 4 ABOUT APPLICABLE PRODUCTS AND VARIOUS SPECIFICATIONS
- 3. 梱包形態 : SHEET 3 参照  
PACKAGING INFORMATION : SEE SHEET 3
- ④ 水平面上においてのハウジング底面 Y とソルダーテール及びネイル底面とのズレ量を示す。  
MISALIGNMENT OF SOLDER TAIL AND NAIL FROM Y
- 5. 端子テール部およびネイルの平坦度は0.1以下  
COPLANARITY OF TAIL AND NAIL TO BE 0.1 MAX.
- ⑥ ロックの数は、2,3極は1ロック、4極以上は2ロック。  
LOCKING WINDOW: ONE PLACE FOR 2 AND 3 CIRCUIT, AND TWO PLACES FOR MORE THAN 4 CIRCUIT.
- 7. 本製品は錫めっき品です。金めっき品は533980002-SDをご参照ください  
THIS PRODUCT IS TIN PLATING TYPE. PLEASE REFER TO 533980002-SD FOR GOLD PLATING TYPE



18.6	19.3	20.5	21.25	23.5	17.5	23.9	15
17.35	18.05	19.25	20	22.25	16.25	22.65	14
16.1	16.8	18	18.75	21	15	21.4	13
14.85	15.55	16.75	17.5	19.75	13.75	20.15	12
13.6	14.3	15.5	16.25	18.5	12.5	18.9	11
12.35	13.05	14.25	15	17.25	11.25	17.65	10
11.1	11.8	13	13.75	16	10	16.4	9
9.85	10.55	11.75	12.5	14.75	8.75	15.15	8
8.6	9.3	10.5	11.25	13.5	7.5	13.9	7
7.35	8.05	9.25	10	12.25	6.25	12.65	6
6.1	6.8	8	8.75	11	5	11.4	5
4.85	5.55	6.75	7.5	9.75	3.75	10.15	4
3.6	4.3	5.5	6.25	8.5	2.5	8.9	3
2.35	3.05	4.25	5	7.25	1.25	7.65	2
G	F	E	D	C	B	A	極数 CIRCUIT SIZE

① TABLE 1

番号 NO.	部品 PART	材質 MATERIAL	
①	吸着キャップ VACUUM CAP	ポリアミド(PA), UL94V-0, GLASS-FILLED, 色: ナチュラル(ベージュ) POLYAMIDE(PA), UL94V-0, GLASS-FILLED, COLOR: NATURAL(BEIGE)	
②	ハウジング HOUSING	ポリアミド(PA), UL94V-0, GLASS-FILLED, 色: ナチュラル(ベージュ) POLYAMIDE(PA), UL94V-0, GLASS-FILLED, COLOR: NATURAL(BEIGE)	
③	ターミナル TERMINAL	母材 MATERIAL	りん青銅 PHOSPHOR BRONZE
		コンタクト部 CONTACT AREA	無光沢錫めっき 1.0 MICROMETER MINIMUM
		テール部 TAIL AREA	MATTE TIN PLATING 1.0 MICROMETER MINIMUM
④	ネイル NAIL	下地めっき UNDER PLATING	ニッケルめっき 1.0 MICROMETER MINIMUM NICKEL PLATING 1.0 MICROMETER MINIMUM
		母材 MATERIAL	りん青銅 PHOSPHOR BRONZE
		テール部 TAIL AREA	無光沢錫めっき 1.0 MICROMETER MINIMUM MATTE TIN PLATING 1.0 MICROMETER MINIMUM
④	ネイル NAIL	下地めっき UNDER PLATING	ニッケルめっき 1.0 MICROMETER MINIMUM NICKEL PLATING 1.0 MICROMETER MINIMUM

THIS DRAWING CONTAINS INFORMATION THAT IS PROPRIETARY TO MOLEX ELECTRONIC TECHNOLOGIES, LLC AND SHOULD NOT BE USED WITHOUT WRITTEN PERMISSION

DIMENSION UNITS	SCALE	CURRENT REV DESC: REVISED	
mm	NTS		
GENERAL TOLERANCES (UNLESS SPECIFIED)			
ANGULAR TOL	± 3.0°	EC NO: 698818	
4 PLACES	± 0.2	DRWN: HHUSSIN	2022/02/16
3 PLACES	± 0.2	CHK'D: SAKIYAMA	2022/04/19
2 PLACES	± 0.2	APPR: AIDA	2022/04/19
1 PLACE	± 0.2	INITIAL REVISION:	
0 PLACES	± 0.2	DRWN: SOBARA01	2019/04/10
		APPR: SAKIYAMA	2019/04/25
DRAFT WHERE APPLICABLE MUST REMAIN WITHIN DIMENSIONS		THIRD ANGLE PROJECTION	DRAWING SERIES
		A2-SIZE	53398
MATERIAL NUMBER		CUSTOMER	SHEET NUMBER
SEE CHART		GENERAL	1 OF 4

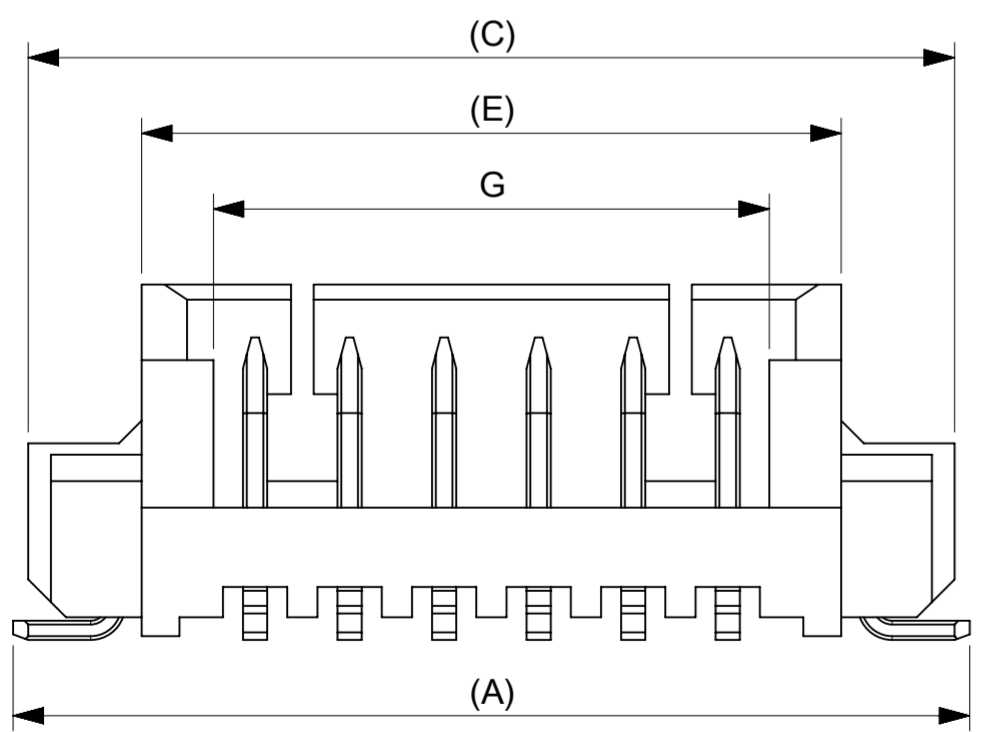
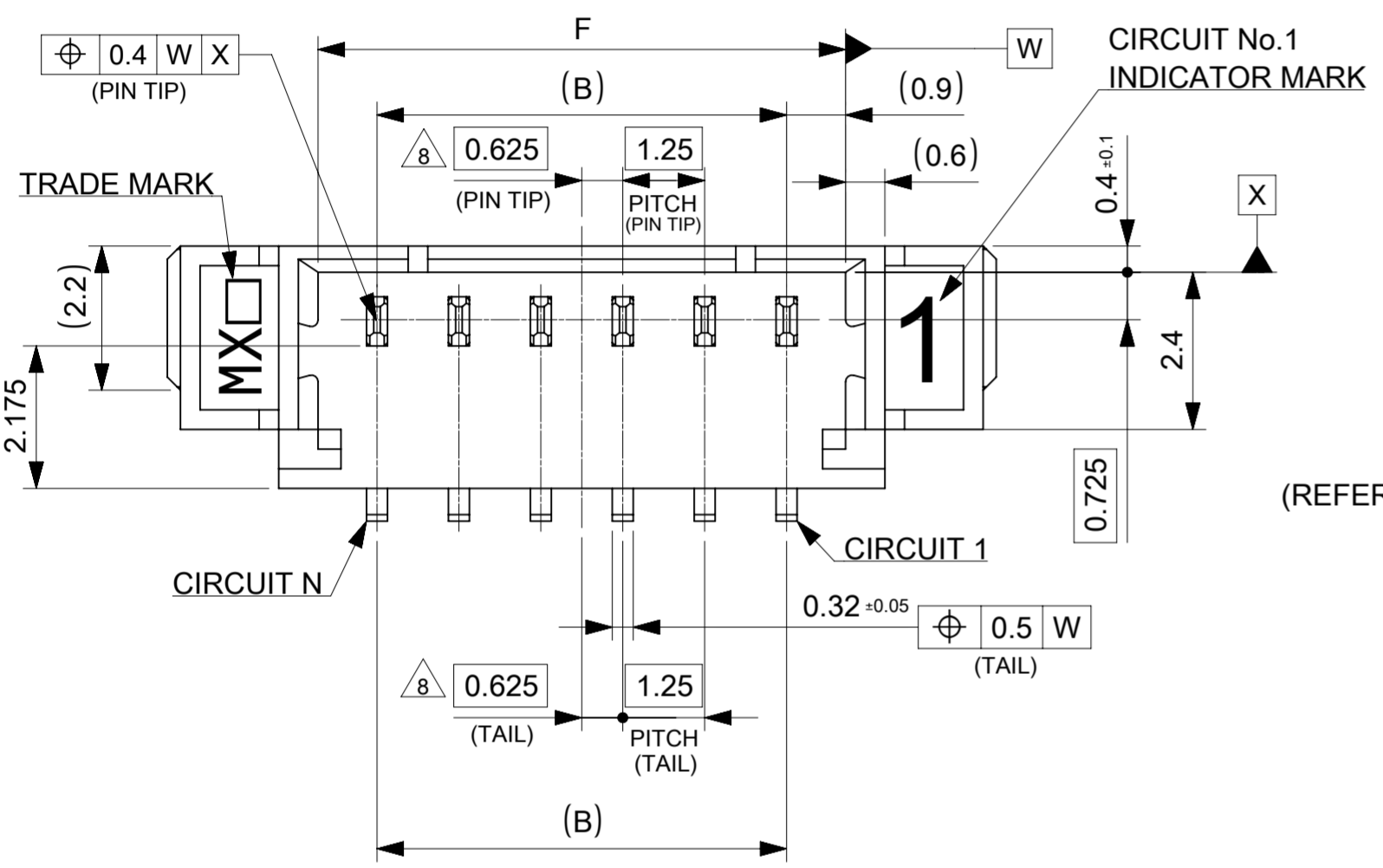
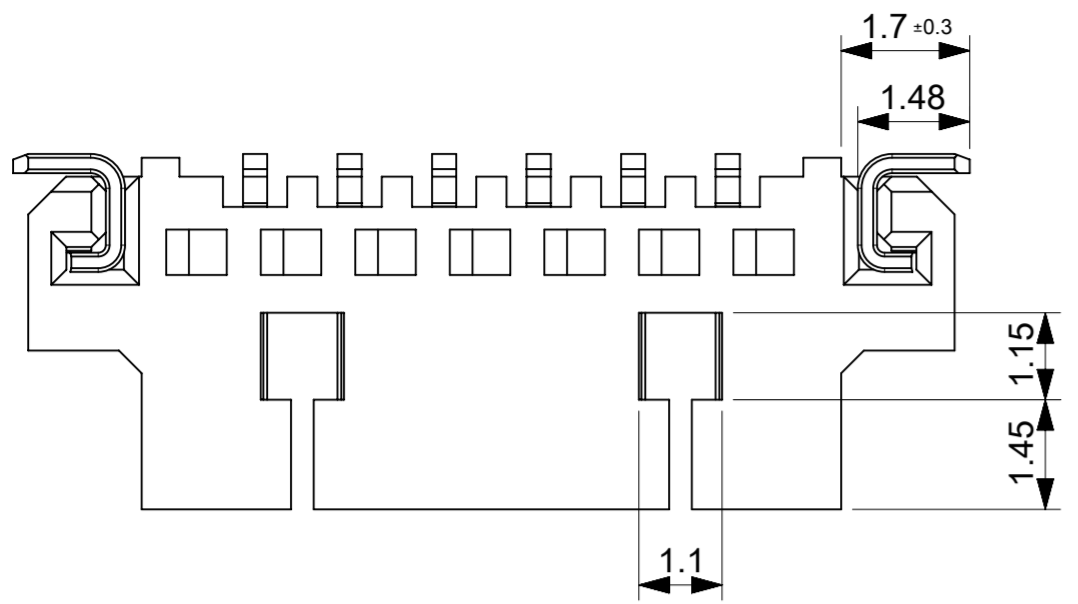
**molex**

PICOBLADE 1.25  
SMT VERTICAL TYPE WITH VACUUM CAP

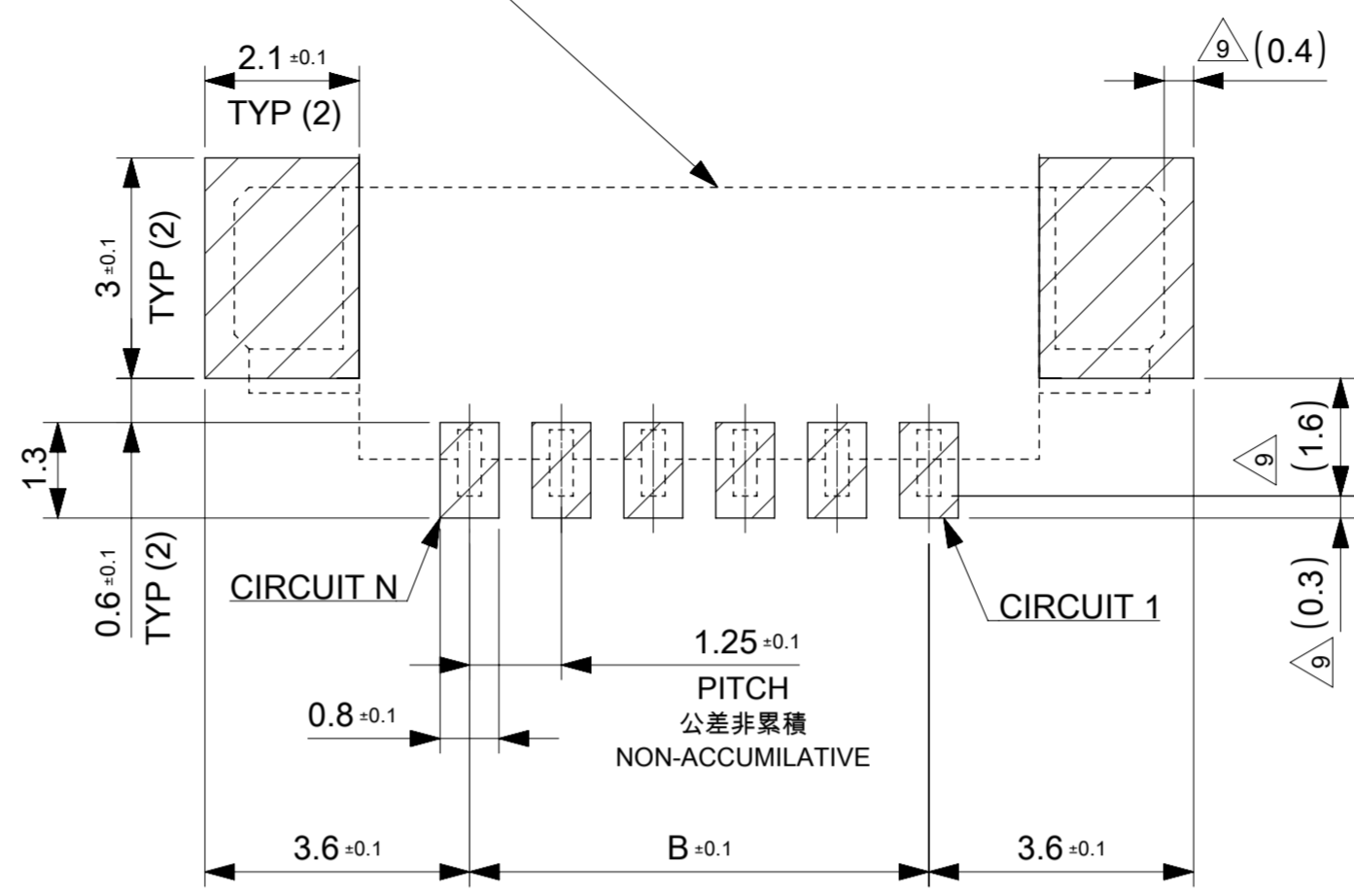
PRODUCT CUSTOMER DRAWING

DOCUMENT NUMBER	DOC TYPE	DOC PART	REVISION
533980001-SD	PSD	000	C

キャップを外した状態  
WITHOUT CAP



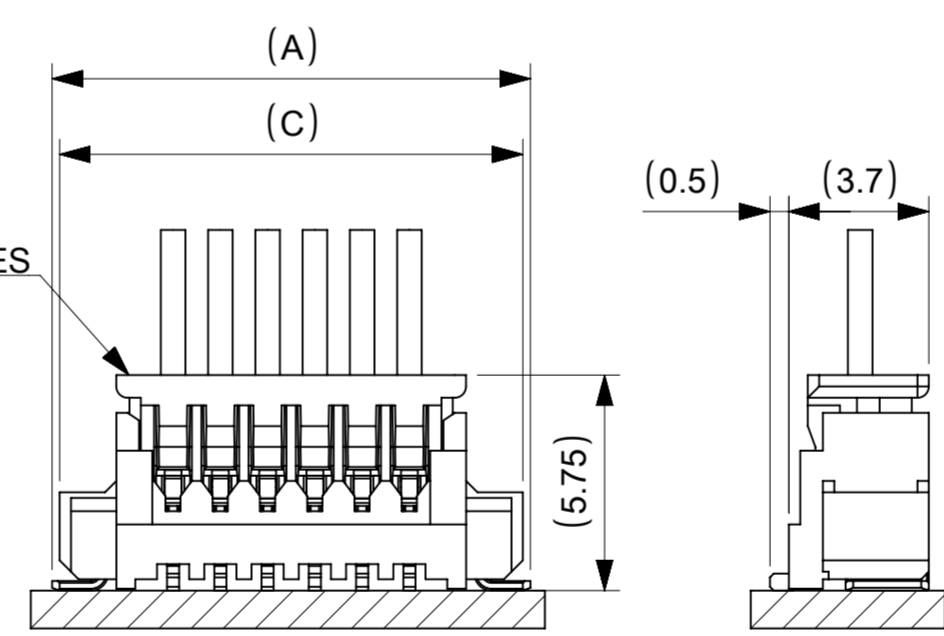
製品輪郭線 (キャップ除く)  
CONNECTOR OUTLINE (WITHOUT CAP)



推奨基板レイアウト  
RECOMMENDED PCB PATTERN

(参考: 基板厚 1.0 MILLIMETER, メタルマスク厚さ: 0.15 MILLIMETER, マスク開口率: 100%)  
(REFERENCE: PCB THICKNESS 1.0 MILLIMETER, STENCIL THICKNESS: 0.15 MILLIMETER, APERTURE: 100%)

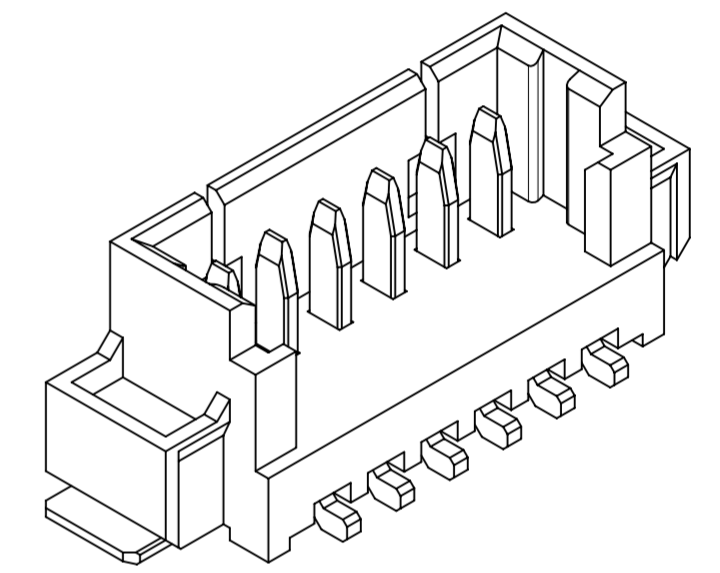
嵌合相手: 51021 シリーズ  
MATE WITH: 51021 SERIES



嵌合図  
MATED CONNECTORS

NOTES

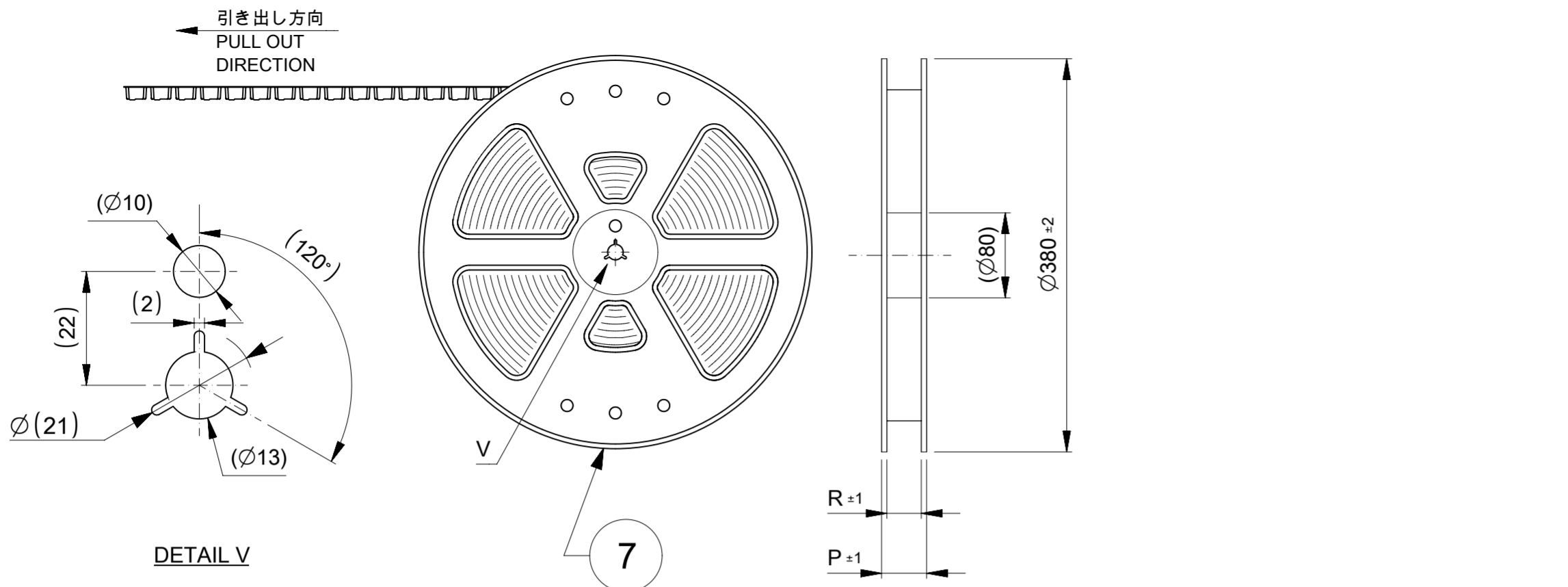
- △8 偶数極のみに適用  
APPLY TO EVEN CIRCUIT PRODUCTS.
- △9 製品輪郭線からパッドまでの寸法を示す。  
DIMENSIONS FROM CONNECTOR OUTLINE TO PAD
- △10 製品の基板実装部以外の金属露出部と基板パターンとの干渉、および製品と基板上の突起物との干渉が生じないようにご配慮をお願いいたします。  
PLEASE TAKE CARE NOT TO CAUSE INTERFERENCE BETWEEN EXPOSED METAL PARTS EXCLUDING MOUNTING PORTION OF PRODUCT AND PWB PATTERN, AND INTERFERENCE BETWEEN PRODUCT AND PROTRUSIONS ON PWB.



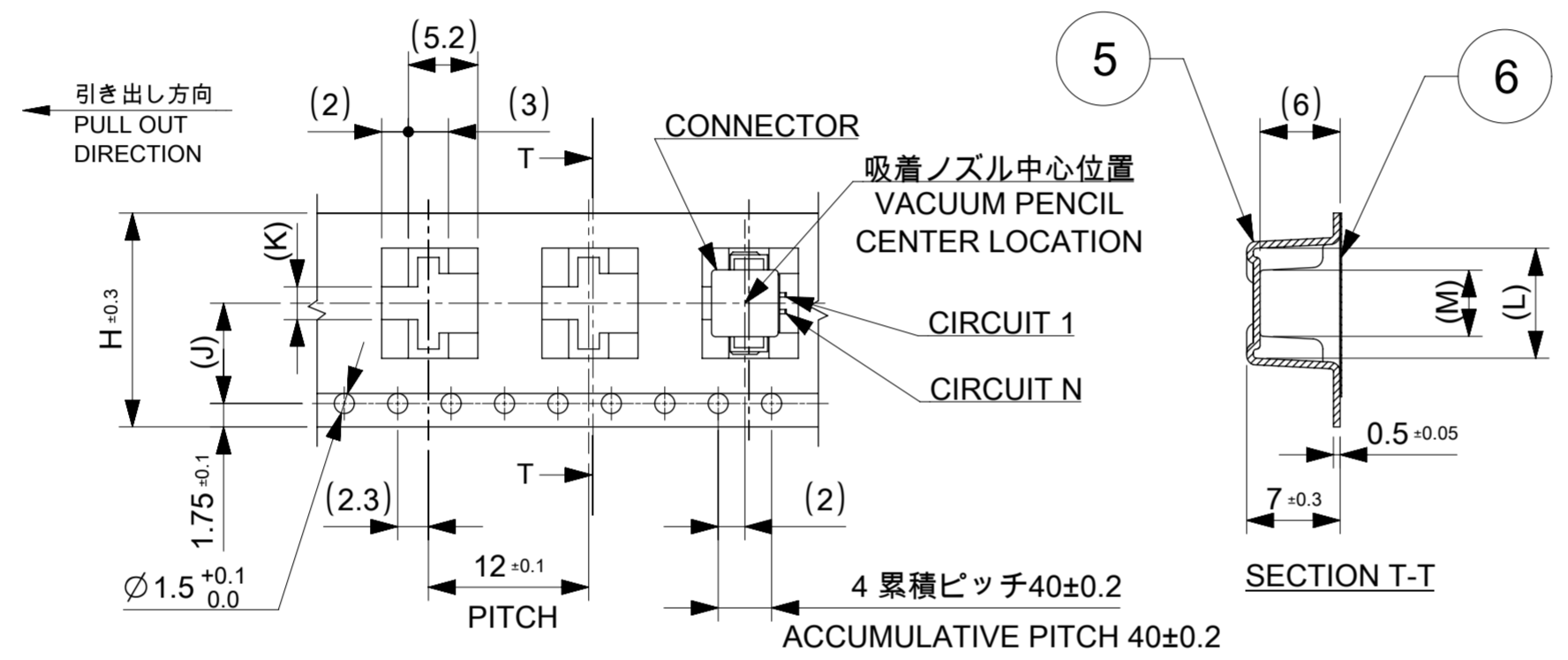
18.6	19.3	20.5	21.25	23.5	17.5	23.9	15
17.35	18.05	19.25	20	22.25	16.25	22.65	14
16.1	16.8	18	18.75	21	15	21.4	13
14.85	15.55	16.75	17.5	19.75	13.75	20.15	12
13.6	14.3	15.5	16.25	18.5	12.5	18.9	11
12.35	13.05	14.25	15	17.25	11.25	17.65	10
11.1	11.8	13	13.75	16	10	16.4	9
9.85	10.55	11.75	12.5	14.75	8.75	15.15	8
8.6	9.3	10.5	11.25	13.5	7.5	13.9	7
7.35	8.05	9.25	10	12.25	6.25	12.65	6
6.1	6.8	8	8.75	11	5	11.4	5
4.85	5.55	6.75	7.5	9.75	3.75	10.15	4
3.6	4.3	5.5	6.25	8.5	2.5	8.9	3
2.35	3.05	4.25	5	7.25	1.25	7.65	2
G	F	E	D	C	B	A	極数 CIRCUIT SIZE

THIS DRAWING CONTAINS INFORMATION THAT IS PROPRIETARY TO MOLEX ELECTRONIC TECHNOLOGIES, LLC AND SHOULD NOT BE USED WITHOUT WRITTEN PERMISSION

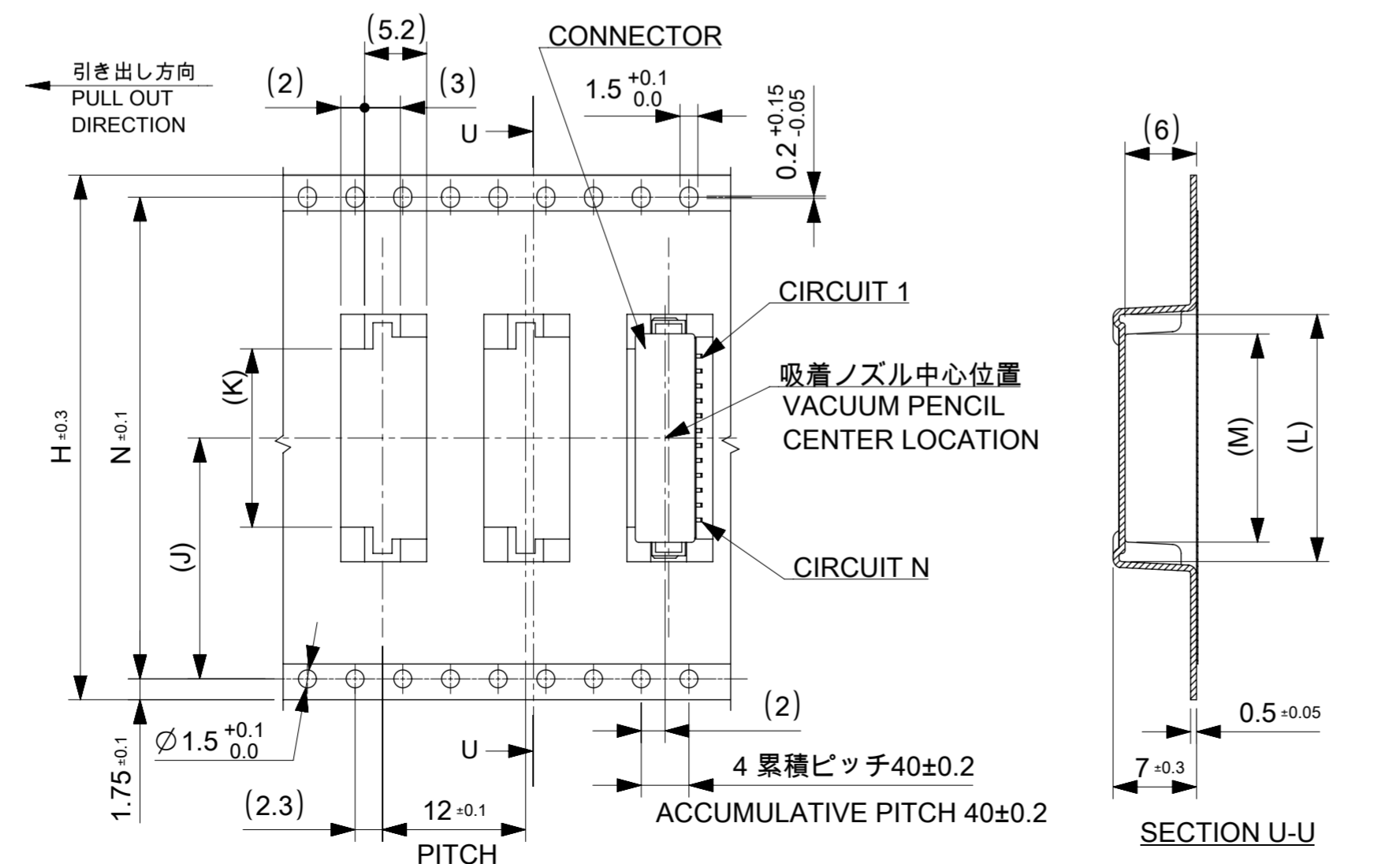
DIMENSION UNITS	SCALE	CURRENT REV DESC: REVISED	
mm	NTS		
GENERAL TOLERANCES (UNLESS SPECIFIED)			
ANGULAR TOL	± 3.0°	EC NO: 698818	
4 PLACES	± 0.2	DRWN: HHUSSIN	2022/02/16
3 PLACES	± 0.2	CHK'D: SAKIYAMA	2022/04/19
2 PLACES	± 0.2	APPR: AIDA	2022/04/19
1 PLACE	± 0.2	INITIAL REVISION:	
0 PLACES	± 0.2	DRWN: SOBARA01	2019/04/10
		APPR: SAKIYAMA	2019/04/25
DRAFT WHERE APPLICABLE MUST REMAIN WITHIN DIMENSIONS		THIRD ANGLE PROJECTION	DRAWING SERIES
		A2-SIZE	53398
DOCUMENT STATUS		MATERIAL NUMBER	CUSTOMER
P1	RELEASE DATE	533980001-SD	GENERAL
2022/04/19	08:41:26	SEE CHART	
		DOC TYPE	DOC PART
		PSD	000
		REVISION	C
		SHEET NUMBER	
		2 OF 4	



DETAIL V



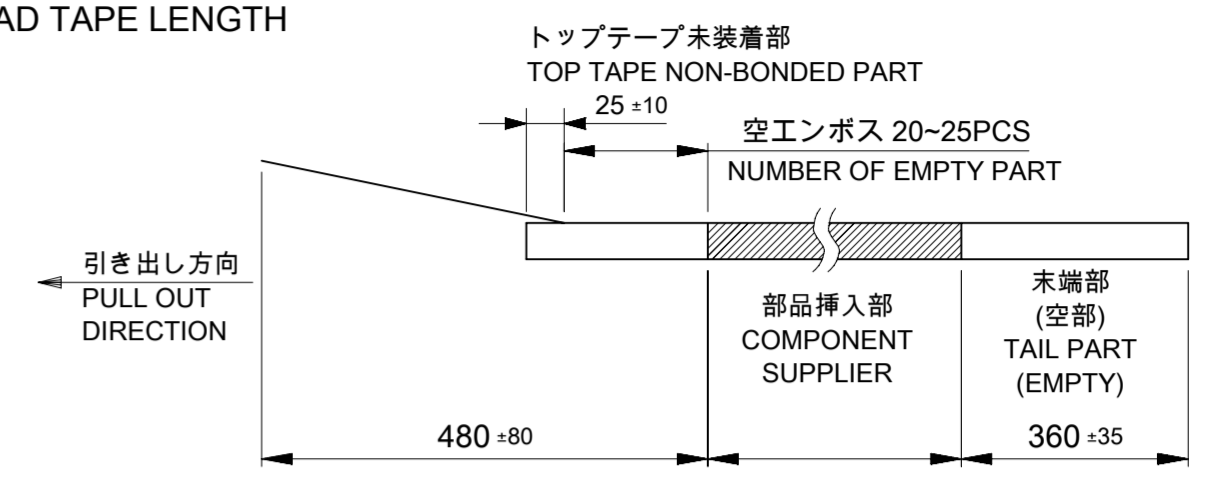
16mm幅(2極用) および24mm幅(3~8極用)キャリアテープ  
16mm (FOR 2 CIRCUIT) OR 24mm (FOR 3-8 CIRCUIT) WIDTH CARRIER TAPE



32mm幅(9~11極用) および44mm幅(12~15極用)キャリアテープ  
32mm (FOR 9-11 CIRCUIT) OR 44mm (FOR 12-15 CIRCUIT) WIDTH CARRIER TAPE

NOTES

- 梱包数量 : 1000個/リール  
NUMBER OF CONNECTOR : 1000PCS / REEL
  - リードテープ長さ  
LEAD TAPE LENGTH
- △13 材料 : TABLE 2 参照  
MATERIAL : REFER TO TABLE 2
- トップテープの剥離強度はIEC60286-3に準拠  
TOP TAPE PELING FORCE IS DEFINED BY IEC60286-3.
  - 本製品は乾燥剤入り、ハイバリア梱包仕様による納品となります。  
THIS PRODUCT IS DELIVERED IN A HIGH BARRIER PACKAGE WITH DESICCANT.
  - 梱包仕様書 : SPK-53398-002  
PACKAGING SPECIFICATION : SPK-53398-002



△13 TABLE 2

番号 NO.	部品 PART	材質 MATERIAL
⑤	キャリアテープ CARRIER TAPE	ポリプロピレン(PP) POLYPROPYLENE(PP)
⑥	トップテープ TOP TAPE	ポリエチレン (PE)、その他 POLYETHYLENE (PE), ETC
⑦	リール REEL	ポリスチレン(PS) <リサイクル材を含む> POLYSTYRENE(PS) < RECYCLE MATERIAL CONTAINED >

△17 発注番号  
ORDER NUMBER  
**53398\*\*67**

極数  
CIRCUIT

533981567	15
533981467	14
533981367	13
533981267	12
533981167	11
533981067	10
533980967	9
533980867	8
533980767	7
533980667	6
533980567	5
533980467	4
533980367	3
533980267	2
発注番号 ORDER NO.	極数
PACKAGING : EMBOSSED TAPE AND REEL	CIRCUIT

THIS DRAWING CONTAINS INFORMATION THAT IS PROPRIETARY TO MOLEX ELECTRONIC TECHNOLOGIES, LLC AND SHOULD NOT BE USED WITHOUT WRITTEN PERMISSION

DIMENSION UNITS	SCALE	CURRENT REV DESC:	REVISED
mm	NTS		

GENERAL TOLERANCES (UNLESS SPECIFIED)  
ANGULAR TOL ± 3.0°

4 PLACES	± 0.2	EC NO: 698818	2022/02/16
3 PLACES	± 0.2	DRWN: HHUSSIN	2022/04/19
2 PLACES	± 0.2	CHK'D: SAKIYAMA	2022/04/19
1 PLACE	± 0.2	APPR: AIDA	2022/04/19
0 PLACES	± 0.2	INITIAL REVISION:	
		DRWN: SOBARA01	2019/04/10
		APPR: SAKIYAMA	2019/04/25

**molex**

PICOBLADE 1.25  
SMT VERTICAL TYPE WITH VACUUM CAP

PRODUCT CUSTOMER DRAWING

DOCUMENT NUMBER	DOC TYPE	DOC PART	REVISION
533980001-SD	PSD	000	C

DRAFT WHERE APPLICABLE MUST REMAIN WITHIN DIMENSIONS	THIRD ANGLE PROJECTION	DRAWING	SERIES	MATERIAL NUMBER	CUSTOMER	SHEET NUMBER
		A2-SIZE	53398	SEE CHART	GENERAL	3 OF 4

△ 2 適合製品および各種仕様書  
 APPLICABLE PRODUCTS AND SPECIFICATIONS

梱包仕様書 PACKING SPECIFICATION		PART NUMBER 53398**67		SPECIFICATION NUMBER SPK-53398-002	
適合ハウジング APPLICABLE HOUSING		PART NUMBER 51021**00			
適合圧着端子 APPLICABLE TERMINAL	PLATING	TIN			
	PART NUMBER	500798*00	500588*00	500798001	500588001
	WIRE SIZE (AWG)	#26-28	#28-32	#26-28	#28-32
製品仕様書 PRODUCT SPECIFICATION		PS-51021-025 PS 001		510211124-PS PS 000	
アプリケーション仕様書 (取扱説明書) APPLICATION SPECIFICATION		510210000-AS PS 000			

THIS DRAWING CONTAINS INFORMATION THAT IS PROPRIETARY TO MOLEX ELECTRONIC TECHNOLOGIES, LLC AND SHOULD NOT BE USED WITHOUT WRITTEN PERMISSION										
DIMENSION UNITS	SCALE	CURRENT REV DESC: REVISED			<b>molex</b>					
mm	NTS									
GENERAL TOLERANCES (UNLESS SPECIFIED)					PICOBLADE 1.25 SMT VERTICAL TYPE WITH VACUUM CAP					
ANGULAR TOL	± 3.0°	EC NO: 698818			PRODUCT CUSTOMER DRAWING					
4 PLACES	± 0.2	DRWN: HHUSSIN 2022/02/16								
3 PLACES	± 0.2	CHK'D: SAKIYAMA 2022/04/19								
2 PLACES	± 0.2	APPR: AIDA 2022/04/19								
1 PLACE	± 0.2	INITIAL REVISION:			DOCUMENT NUMBER					
0 PLACES	± 0.2	DRWN: SOBARA01 2019/04/10			533980001-SD			PSD	000	C
DRAFT WHERE APPLICABLE MUST REMAIN WITHIN DIMENSIONS		THIRD ANGLE PROJECTION	DRAWING	SERIES	MATERIAL NUMBER	CUSTOMER	SHEET NUMBER			
			A2-SIZE	53398	SEE CHART	GENERAL	4 OF 4			