

ITEM	DESCRIPTION	L	QTY.
L	COPPER FOIL 887801083		1
K	COPPER FOIL 887801114		1
J	USB SERIES MINI-B PLG COVER SHIELD 675460000		1
H	USB SERIES MINI-B PLG SHIELD CASE 675450000		1
G	MINI-B PLG HSG&TERMINAL SUB-ASS'Y 675420008		1
F	TERMINAL (AWG24) (SEE TABLE)		2
E	TERMINAL (AWG28) (SEE TABLE)		2
D	USB2.0 #28/#24 ; CABLE(SEE TABLE)		
C	REAR SHELL 887809084		1
B	FRONT SHELL 887809083		1
A	CRIMP HOUSING 887809086		1

SHELL	SHELL	SHIELDING	BRAID WIRE
4	5	GROUND	BLACK
3	3	+DATA	GREEN
2	2	-DATA	WHITE
1	1	VCC	RED
P 1	P 2	SIGNAL NAME	WIRE COLOR

WIRE DIAGRAM

<b>FUNCTIONAL SYMBOLS</b> $\nabla/A = 0$ $\nabla/E = 2$ $\nabla/F = 0$	THIS DRAWING CONTAINS INFORMATION THAT IS PROPRIETARY TO MOLEX ELECTRONIC TECHNOLOGIES, LLC AND SHOULD NOT BE USED WITHOUT WRITTEN PERMISSION AS PER PCN#509451		CURRENT REV DESC: OBSOLETE PART NUMBER EC NO: 686785 DRWN: SUGEEB CHK'D: GGA APPR: GGA		<p>USB2.0, A TO MINIB CABLE ASSY</p> <p>PRODUCT CUSTOMER DRAWING</p>																			
	DIMENSION UNITS: <b>mm</b> SCALE: <b>NTS</b>		2021/09/23 2022/02/28 2022/02/28																					
	GENERAL TOLERANCES (UNLESS SPECIFIED)		INITIAL REVISION: DRWN: JFZHENG APPR: DQLUO																					
	<table border="1"> <thead> <tr> <th></th> <th>MM</th> <th>INCH</th> </tr> </thead> <tbody> <tr> <td>4 PLACES</td> <td>±</td> <td>±</td> </tr> <tr> <td>3 PLACES</td> <td>±</td> <td>±</td> </tr> <tr> <td>2 PLACES</td> <td>±</td> <td>±</td> </tr> <tr> <td>1 PLACE</td> <td>±</td> <td>±</td> </tr> <tr> <td>0 PLACES</td> <td>±</td> <td>±</td> </tr> <tr> <td>ANGULAR TOL</td> <td colspan="2">± 0.5 °</td> </tr> </tbody> </table>			MM		INCH	4 PLACES	±	±	3 PLACES	±	±	2 PLACES	±	±	1 PLACE	±	±	0 PLACES	±	±	ANGULAR TOL	± 0.5 °	
	MM	INCH																						
4 PLACES	±	±																						
3 PLACES	±	±																						
2 PLACES	±	±																						
1 PLACE	±	±																						
0 PLACES	±	±																						
ANGULAR TOL	± 0.5 °																							
<b>DIVISIONAL SYMBOLS</b>	DRAFT WHERE APPLICABLE MUST REMAIN WITHIN DIMENSIONS		THIRD ANGLE PROJECTION	DRAWING: <b>A4-SIZE</b>	SERIES: <b>88732</b>																			
DOCUMENT NUMBER: <b>SD-887328500</b>		DOC TYPE: <b>PSD</b>	DOC PART: <b>001</b>	REVISION: <b>C1</b>	MATERIAL NUMBER: <b>887-328X-0X</b>																			
CUSTOMER: <b>GENERAL MARKET</b>		SHEET NUMBER: <b>1 OF 2</b>																						

DOCUMENT STATUS	P1	RELEASE DATE	2022/02/28	11:53:58
-----------------	----	--------------	------------	----------

## NOTE:

## 1. MOLDED PVC RESIN.CABLE P/N &amp; COLOR AS TABLE

WHITE	887800043	887808233	WHITE
BEIGE	887800059	887808244	BEIGE
BLACK	887800019	887808563	BLACK
BLACK	887800019	887808236	BLACK
BLACK	887800019	887808248	BLACK
FROST WITHE	887800043	887808243	FROST WITHE
RESIN COLOR	RESIN P/N	CABLE P/N	CABLE COLOR

## 2. STICK UL LABEL ON EACH CARTON.

## ELECTRICAL PERFORMANCE:

ALL TEST DUABILITY:0.01 SEC.

1. DIELECTRONIC STRENGTH:500V DC
2. INSULATION RESISTANCE:100M OHMS MIN.
3. CONDUCTIVE RESISTANCE: 3 OHMS MAX.

## 3. PUT COC AND INSPECTION REPORT IN EVERY CARTON ( ONLY APPLY FOR 887328705)

## 4.ALL COMPONENTS MUST MEET RoHS COMPLIANCE

## TABLE

88732-8902	2000±30	USB_A TO MINI_B 2.0 VER	88780-8248	88780-9091	88780-9090
88732-8802	1800±30	USB_A TO MINI_B 2.0 VER	88780-8248	88780-9091	88780-9090
88732-8702	1500±30	USB_A TO MINI_B 2.0 VER	88780-8248	88780-9091	88780-9090
88732-8602	1000±30	USB_A TO MINI_B 2.0 VER	88780-8248	88794-1218	88794-1217
MX P/N	CABLE LENGTH	DESCRIPTION	CABLE P/N	TERM. E P/N	TERM. F P/N

FUNCTIONAL SYMBOLS	THIS DRAWING CONTAINS INFORMATION THAT IS PROPRIETARY TO MOLEX ELECTRONIC TECHNOLOGIES, LLC AND SHOULD NOT BE USED WITHOUT WRITTEN PERMISSION					
	DIMENSION UNITS	SCALE		CURRENT REV DESC: OBSOLETE PART NUMBER AS PER PCN#509451		
$\nabla_A = 0$	mm	NTS		GENERAL TOLERANCES (UNLESS SPECIFIED)		
$\nabla_E = 1$		MM	INCH			
$\nabla_F = 0$	4 PLACES	±	±	EC NO: 686785		
DIVISIONAL SYMBOLS	3 PLACES	±	±	DRWN: SUGEEB 2021/09/23		
	2 PLACES	±	±	CHK'D: GGA 2022/02/28		
	1 PLACE	±	±	APPR: GGA 2022/02/28		
	0 PLACES	±	±	INITIAL REVISION:		
	ANGULAR TOL	±	0.5 °	DRWN: JFZHENG 2006/01/07		
	DRAFT WHERE APPLICABLE MUST REMAIN WITHIN DIMENSIONS	THIRD ANGLE PROJECTION		DRAWING	SERIES	
				A4-SIZE	88732	
				MATERIAL NUMBER	CUSTOMER	
				SD-887328500	GENERAL MARKET	
				DOCUMENT NUMBER	DOC TYPE	
				PSD	DOC PART	
				001	REVISION	
				C1	SHEET NUMBER	
				2 OF 2		

DOCUMENT STATUS | P1 | RELEASE DATE | 2022/02/28 11:53:58

7 6 5 4 3 2 1

E

D

C

B

A

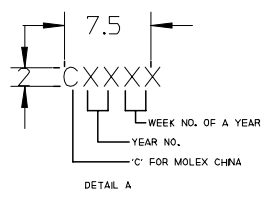
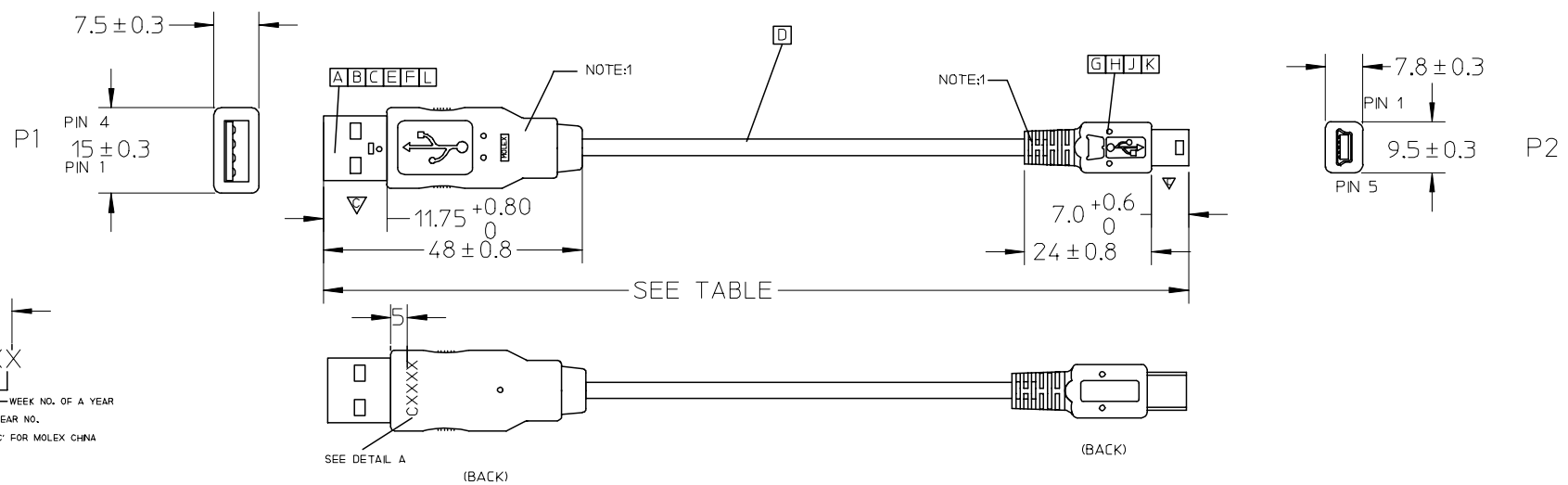
E

D

C

B

A



SEE TABLE

SEE DETAIL A

(BACK)

SHELL	SHELL	SHIELDING	BRAID WIRE
4	5	GROUND	BLACK
3	3	+DATA	GREEN
2	2	-DATA	WHITE
1	1	VCC	RED
P 1	P 2	SIGNAL NAME	WIRE COLOR

ITEM	DESCRIPTION	L	QTY.
L	COPPER FOIL 887801083		1
K	COPPER FOIL 887801114		1
J	USB SERIES MINI-B PLG COVER SHIELD 675460000		1
H	USB SERIES MINI-B PLG SHIELD CASE 675450000		1
G	MINI-B PLG HSG&TERMINAL SUB-ASS'Y 675420008		1
F	TERMINAL (AWG24) (SEE TABLE)		2
E	TERMINAL (AWG28) (SEE TABLE)		2
D	USB2.0 #28/#24 ; CABLE(SEE TABLE)		
C	REAR SHELL 887809084		1
B	FRONT SHELL 887809083		1
A	CRMP HOUSING 887809086		1

<b>ENTER DESCRIPTION</b> EC NO: DG2006-0150 DRWN: JFZHENG 2006/01/09 CHKD: 2006/01/09 APPR: DOLUO 2006/01/16	<b>QUALITY SYMBOLS</b> ▽=0 ▽=2	<b>GENERAL TOLERANCES (UNLESS SPECIFIED)</b>		<b>DIMENSION STYLE</b> MM ONLY		SCALE ---	DESIGN UNITS METRIC	THIRD ANGLE PROJECTION	
		4 PLACES ± --- ± --- 3 PLACES ± --- ± --- 2 PLACES ± --- ± --- 1 PLACE ± --- ± ---	mm INCH	DRAWN BY JFZHENG	DATE 2006/01/07	TITLE USB-A TO MINI-B 2.0M ASS'Y			
		ANGULAR ± --- °		CHECKED BY JFZHENG	DATE 2006/01/07	MOLEX MOLEX INCORPORATED			
		DRAFT WHERE APPLICABLE MUST REMAIN WITHIN DIMENSIONS		APPROVED BY JFZHENG	DATE 2006/01/07	MATERIAL NO. 887-328x-0x	DOCUMENT NO. SD-887328702	SHEET NO. 1 OF 2	

6 5 4 3 2 1

NOTE:

1. MOLDED PVC RESIN.CABLE.P/N & COLOR AS TABLE

WHITE	887800043	887808233	WHITE
BEIGE	887800059	887808244	BEIGE
BLACK	887800019	887808563	BLACK
BLACK	887800019	887808236	BLACK
BLACK	887800019	887808248	BLACK
FROST WITHE	887800043	887808243	FROST WITHE
RESIN COLOR	RESIN P/N	CABLE P/N	CABLE COLOR

2. STICK UL LABEL ON EACH CARTON.

▽ELECTRICAL PERFORMANCE:

ALL TEST DUABILITY:0.01 SEC.

1. DIELECTRONIC STRENGTH:500V DC

2. INSULATION RESISTANCE:100M OHMS MIN.

3. CONDUCTIVE RESISTANCE: 3 OHMS MAX.

3. PUT COC AND INSPECTION REPORT IN EVERY CARTON ( ONLY APPLY FOR 887328705)

4.ALL COMPONENTS MUST MEET RoHS COMPLIANCE

TABLE

88732-8902	2000±30	USB_A TO MINI_B 2.0 VER	88780-8248	88780-9091	88780-9090
88732-8802	1800±30	USB_A TO MINI_B 2.0 VER	88780-8248	88780-9091	88780-9090
88732-8702	1500±30	USB_A TO MINI_B 2.0 VER	88780-8248	88780-9091	88780-9090
88732-8602	1000±30	USB_A TO MINI_B 2.0 VER	88780-8248	88794-1218	88794-1217
88732-8502	800±30	USB_A TO MINI_B 2.0 VER	88780-8235	88794-1218	88794-1217
88732-8900	2000±30	USB_A TO MINI_B 2.0 VER	88780-8243	88780-9091	88780-9090
88732-8800	1800±30	USB_A TO MINI_B 2.0 VER	88780-8243	88780-9091	88780-9090
88732-8700	1500±30	USB_A TO MINI_B 2.0 VER	88780-8243	88780-9091	88780-9090
88732-8600	1000±30	USB_A TO MINI_B 2.0 VER	88780-8243	88794-1218	88794-1217
88732-8500	800±30	USB_A TO MINI_B 2.0 VER	88780-8233	88794-1218	88794-1217
88732-8401	1200±30	USB_A TO MINI_B 2.0 VER	88780-8244	88780-9091	88780-9090
MX P/N	CABLE LENGTH	DESCRIPTION	CABLE P/N	TERM. E P/N	TERM. F P/N

ENTER DESCRIPTION EC NO: DG2006-0150 DRWN: JFZHENG CHKD: APPR: DDLUO 2006/01/09 2006/01/09 2006/01/16	DESCRIPTION REV	QUALITY SYMBOLS ▽=0 ▽=2	GENERAL TOLERANCES (UNLESS SPECIFIED)		DIMENSION STYLE MM ONLY		SCALE ---	DESIGN UNITS METRIC	THIRD ANGLE PROJECTION		
				mm	INCH	DRAWN BY JFZHENG	DATE 2006/01/07	TITLE USB-A TO MINI-B 2.0M ASS'Y			
			4 PLACES	±---	±---	CHECKED BY JFZHENG	DATE 2006/01/07				
			3 PLACES	±---	±---	APPROVED BY JFZHENG	DATE 2006/01/07	MATERIAL NO. 887-328x-0x		DOCUMENT NO. SD-887328702	SHEET NO. 2 OF 2
DRAFT WHERE APPLICABLE MUST REMAIN WITHIN DIMENSIONS		ANGULAR ±---°		THIS DRAWING CONTAINS INFORMATION THAT IS PROPRIETARY TO MOLEX INCORPORATED AND SHOULD NOT BE USED WITHOUT WRITTEN PERMISSION							

6

5

4

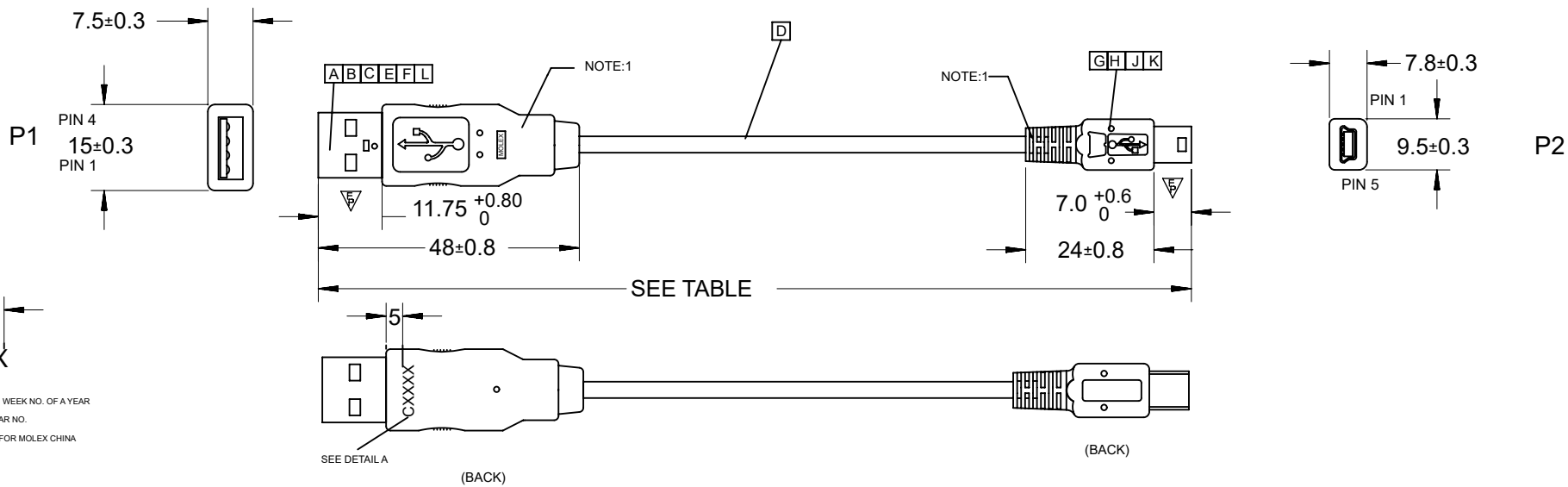
3

2

1

D

D



C

C

B

B

SHELL	SHELL	SHIELDING	BRAID WIRE
4	5	GROUND	BLACK
3	3	+DATA	GREEN
2	2	-DATA	WHITE
1	1	VCC	RED
P 1	P 2	SIGNAL NAME	WIRE COLOR

ITEM	DESCRIPTION	L	QTY.
L	COPPER FOIL 887801083		1
K	COPPER FOIL 887801114		1
J	USB SERIES MINI-B PLG COVER SHIELD 675460000		1
H	USB SERIES MINI-B PLG SHIELD CASE 675450000		1
G	MINI-B PLG HSG&TERMINAL SUB-ASS'Y 675420008		1
F	TERMINAL (AWG24) (SEE TABLE)		2
E	TERMINAL (AWG28) (SEE TABLE)		2
D	USB2.0 #28/#24 ; CABLE(SEE TABLE)		
C	REAR SHELL 887809084		1
B	FRONT SHELL 887809083		1
A	CRIMP HOUSING 887809086		1

WIRE DIAGRAM

A

A

THIS DRAWING CONTAINS INFORMATION THAT IS PROPRIETARY TO MOLEX ELECTRONIC TECHNOLOGIES, LLC AND SHOULD NOT BE USED WITHOUT WRITTEN PERMISSION

FUNCTIONAL SYMBOLS	THIS DRAWING CONTAINS INFORMATION THAT IS PROPRIETARY TO MOLEX ELECTRONIC TECHNOLOGIES, LLC AND SHOULD NOT BE USED WITHOUT WRITTEN PERMISSION	SCALE		CURRENT REV DESC: OBSOLETE PART NUMBER AS PER PCN#509451	<h1>molex</h1>			
	$\nabla = 0$	mm	NTS					
GENERAL TOLERANCES (UNLESS SPECIFIED)	GENERAL TOLERANCES (UNLESS SPECIFIED)		EC NO: 686785					
		MM		INCH				
DIVISIONAL SYMBOLS	$\nabla = 0$	4 PLACES	±	±		DRWN: SUGEEB 2021/09/23		
	$\nabla = 2$	3 PLACES	±	±	CHK'D: GGA 2022/02/28			
		2 PLACES	±	±	APPR: GGA 2022/02/28			
		1 PLACE	±	±	INITIAL REVISION:			
		0 PLACES	±	±	DRWN: JFZHENG 2006/01/07			
		ANGULAR TOL	±	0.5 °	APPR: DQLUO 2006/01/07			
DRAFT WHERE APPLICABLE MUST REMAIN WITHIN DIMENSIONS		THIRD ANGLE PROJECTION	DRAWING	SERIES	DOCUMENT NUMBER	DOC TYPE	DOC PART	REVISION
			A4-SIZE	88732	SD-887328900	PSD	001	A1
					MATERIAL NUMBER	CUSTOMER	SHEET NUMBER	
					887-328X-0X	GENERAL MARKET	1 OF 2	

DOCUMENT STATUS	P1	RELEASE DATE	2022/02/28	11:53:59
-----------------	----	--------------	------------	----------

6

5

4

3

2

1

NOTE:

1. MOLDED PVC RESIN.CABLE.P/N & COLOR AS TABLE

WHITE	887800043	887808233	WHITE
BEIGE	887800059	887808244	BEIGE
BLACK	887800019	887808563	BLACK
BLACK	887800019	887808236	BLACK
BLACK	887800019	887808248	BLACK
FROST WITHE	887800043	887808243	FROST WITHE
RESIN COLOR	RESIN P/N	CABLE P/N	CABLE COLOR


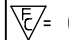

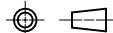
2. STICK UL LABEL ON EACH CARTON.

 ELECTRICAL PERFORMANCE:

- ALL TEST DUABILITY:0.01 SEC.
- 1. DIELECTRONIC STRENGTH:500V DC
- 2. INSULATION RESISTANCE:100M OHMS MIN.
- 3. CONDUCTIVE RESISTANCE: 3 OHMS MAX.
- 3. PUT COC AND INSPECTION REPORT IN EVERY CARTON ( ONLY APPLY FOR 887328705)
- 4. ALL COMPONENTS MUST MEET RoHS COMPLIANCE

TABLE

88732-8902	2000±30	USB_A TO MINI_B 2.0 VER	88780-8248	88780-9091	88780-9090
88732-8802	1800±30	USB_A TO MINI_B 2.0 VER	88780-8248	88780-9091	88780-9090
88732-8702	1500±30	USB_A TO MINI_B 2.0 VER	88780-8248	88780-9091	88780-9090
88732-8602	1000±30	USB_A TO MINI_B 2.0 VER	88780-8248	88794-1218	88794-1217
MX P/N	CABLE LENGTH	DESCRIPTION	CABLE P/N	TERM. E P/N	TERM. F P/N

FUNCTIONAL SYMBOLS	THIS DRAWING CONTAINS INFORMATION THAT IS PROPRIETARY TO MOLEX ELECTRONIC TECHNOLOGIES, LLC AND SHOULD NOT BE USED WITHOUT WRITTEN PERMISSION					
	DIMENSION UNITS	SCALE		CURRENT REV DESC: OBSOLETE PART NUMBER AS PER PCN#509451		
 = 0	mm	NTS		GENERAL TOLERANCES (UNLESS SPECIFIED)		
 = 0		MM	INCH			
 = 1	4 PLACES	±	±	EC NO: 686785		
DIVISIONAL SYMBOLS	3 PLACES	±	±	DRWN: SUGEEB 2021/09/23		
	2 PLACES	±	±	CHK'D: GGA 2022/02/28		
	1 PLACE	±	±	APPR: GGA 2022/02/28		
	0 PLACES	±	±	INITIAL REVISION:		
	ANGULAR TOL	±	0.5 °	DRWN: JFZHENG 2006/01/07		
	DRAFT WHERE APPLICABLE MUST REMAIN WITHIN DIMENSIONS			APPR: DQLUO 2006/01/07		
		THIRD ANGLE PROJECTION		DRAWING	SERIES	DOCUMENT NUMBER
				A4-SIZE	88732	SD-887328900
				MATERIAL NUMBER	CUSTOMER	DOC TYPE
				887-328X-0X	GENERAL MARKET	PSD
						DOC PART
						001
						REVISION
						A1
						SHEET NUMBER
						2 OF 2

DOCUMENT STATUS	P1	RELEASE DATE	2022/02/28	11:53:59
-----------------	----	--------------	------------	----------