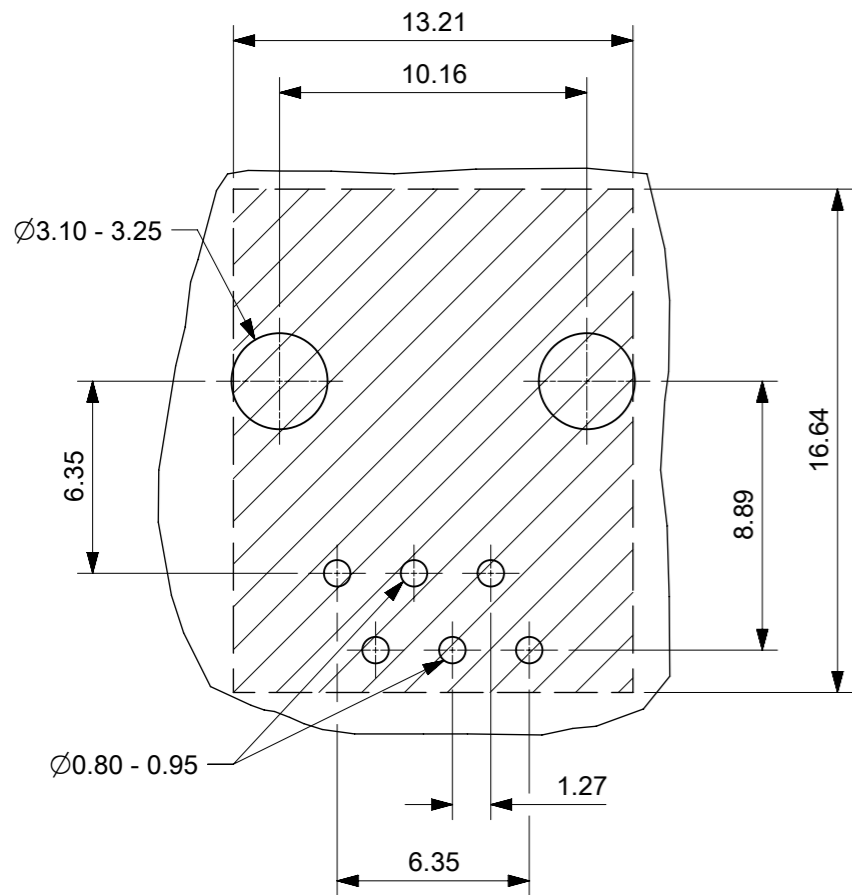


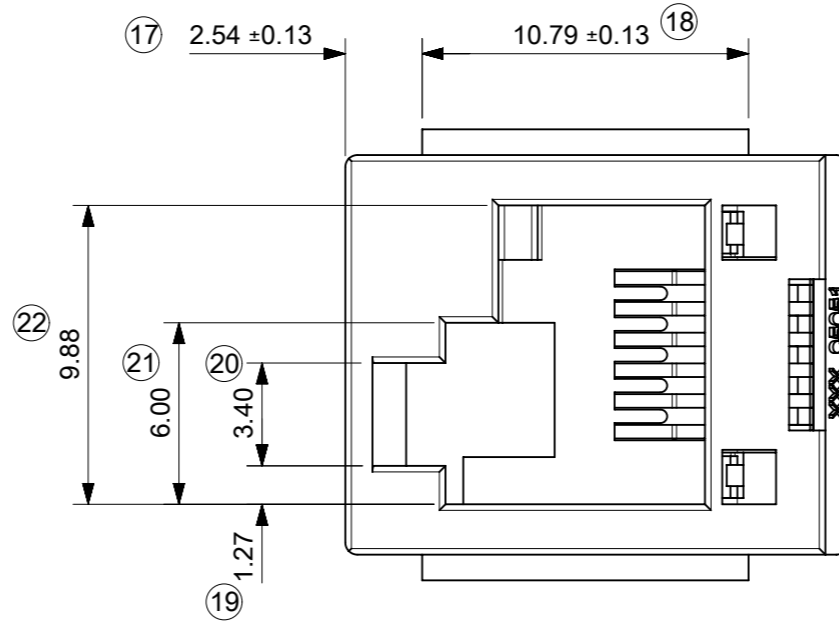
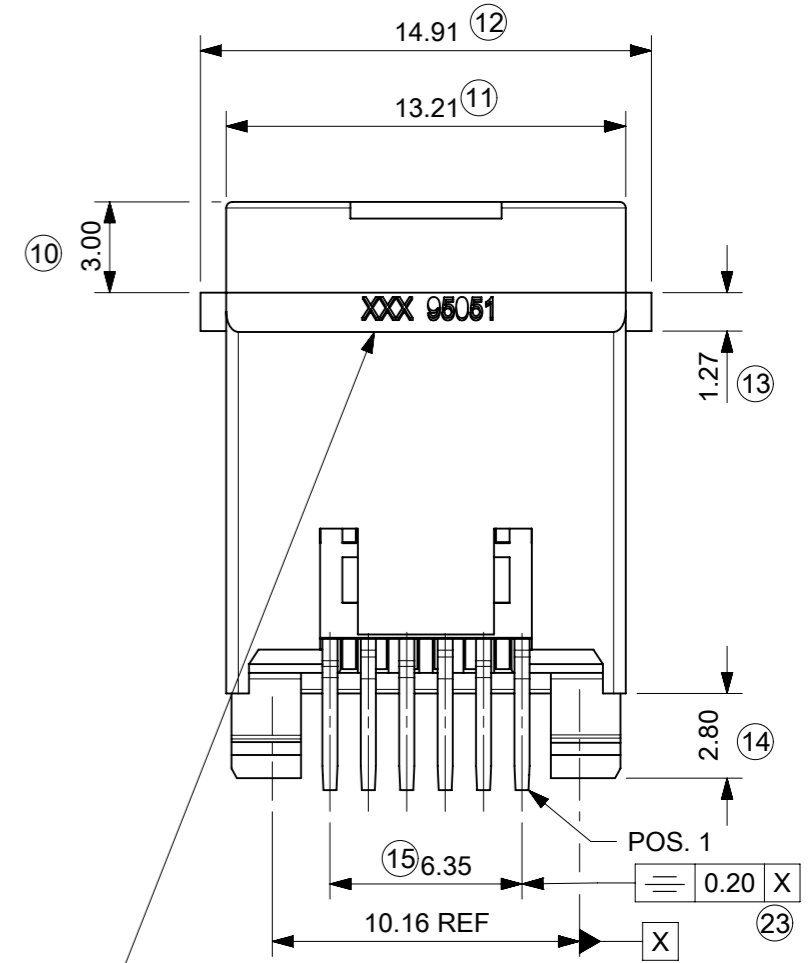
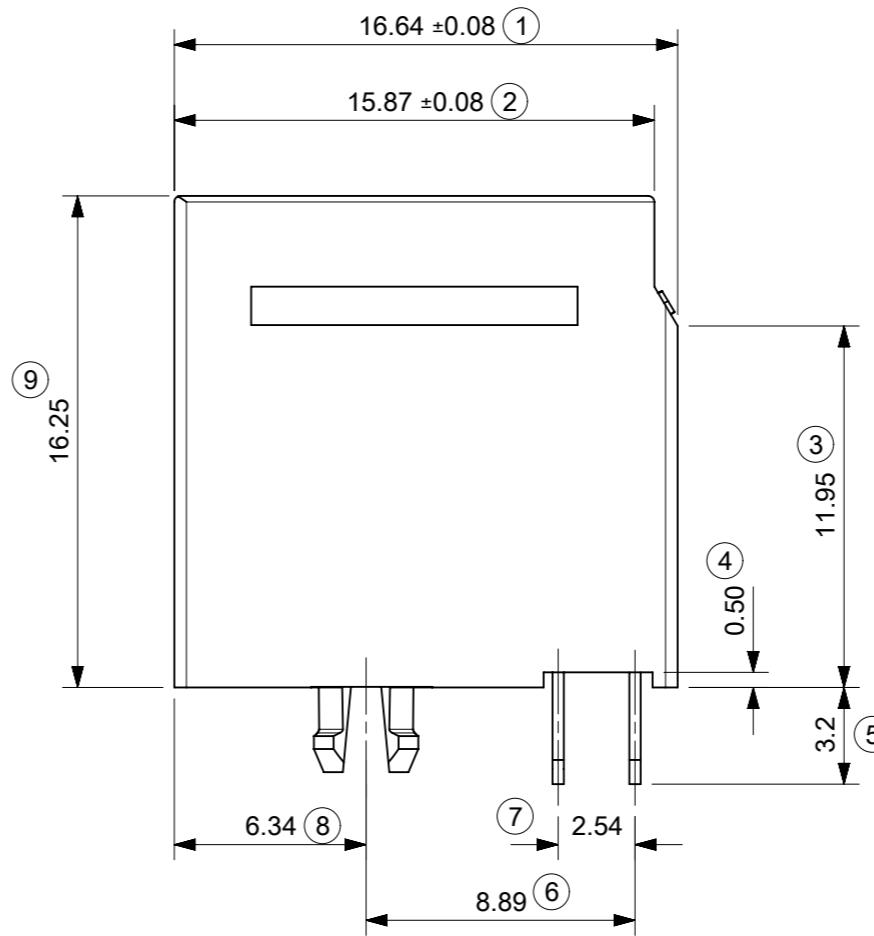
NOTES:

- MATERIAL: LCP 30% GLASS FILLED, UL 94-V0, COLOUR: BLACK
 TERMINAL: COPPER ALLOY, PLATED WITH:
 PLATING 6: POST PLATE 0.00005 MIN GOLD FLASH OVER
 0.00100 MIN, PALLADIUM-NICKEL IN CONTACT AREA,
 0.00190 PURE TIN IN TAIL AREA,
 BOTH OVER 0.00127 MIN, NICKEL OVERALL.
- RECOMMENDED PRINTED CIRCUIT BOARD THICKNESS: 1.57
- FOR USE WITH UNCENTERED LATCH PLUG,
- PRODUCT SPECIFICATION: PS-95522-002
- LOGO MAY BE MXF, MG, MXI OR MXCH
- PACKAGING SPECIFICATION: TRAY - PK-95051-001, SHT 1,
 TUBE - PK-95022, SHT 2.

LAST INSPECTION NUMBER: 23
 REMOVED INSPECTION NO: 16



MOUNTING HOLE PATTERNS
 (VIEW FROM COMPONENT SIDE)
 ALL DIMENSIONS REF DIMENSIONS



SEE NOTE 5

PART NO.	PLATING	PACKAGING TYPE
95551-7667	6	TRAY
95551-7677	6	TUBE

THIS DRAWING CONTAINS INFORMATION THAT IS PROPRIETARY TO MOLEX ELECTRONIC TECHNOLOGIES, LLC AND SHOULD NOT BE USED WITHOUT WRITTEN PERMISSION		CURRENT REV DESC: REMASTERED USING 3D MODELS		molex	
DIMENSION UNITS	SCALE	EC NO: 686852			
mm	4:1	DRWN: AKUMAR19 2021/08/13		PRODUCT CUSTOMER DRAWING	
GENERAL TOLERANCES (UNLESS SPECIFIED)		CHK'D: KLANG 2022/01/13		DOCUMENT NUMBER	
ANGULAR TOL ± 0.5°		APPR: KLANG 2022/01/13		SD-95551-001	
4 PLACES ±	INITIAL REVISION:		DOC TYPE		DOC PART
3 PLACES ±	DRWN: DBYRNES 2007/02/06		PSD		001
2 PLACES ± 0.25	APPR: EOMAHONY 2007/02/12		C2		REVISION
1 PLACE ± 0.35	DRAFT WHERE APPLICABLE MUST REMAIN WITHIN DIMENSIONS		SERIES		SHEET NUMBER
0 PLACES ±	THIRD ANGLE PROJECTION	DRAWING	SERIES	MATERIAL NUMBER	CUSTOMER
		A3-SIZE	95551	SEE CHART	GENERAL MARKET