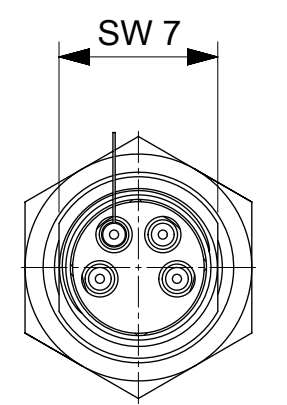
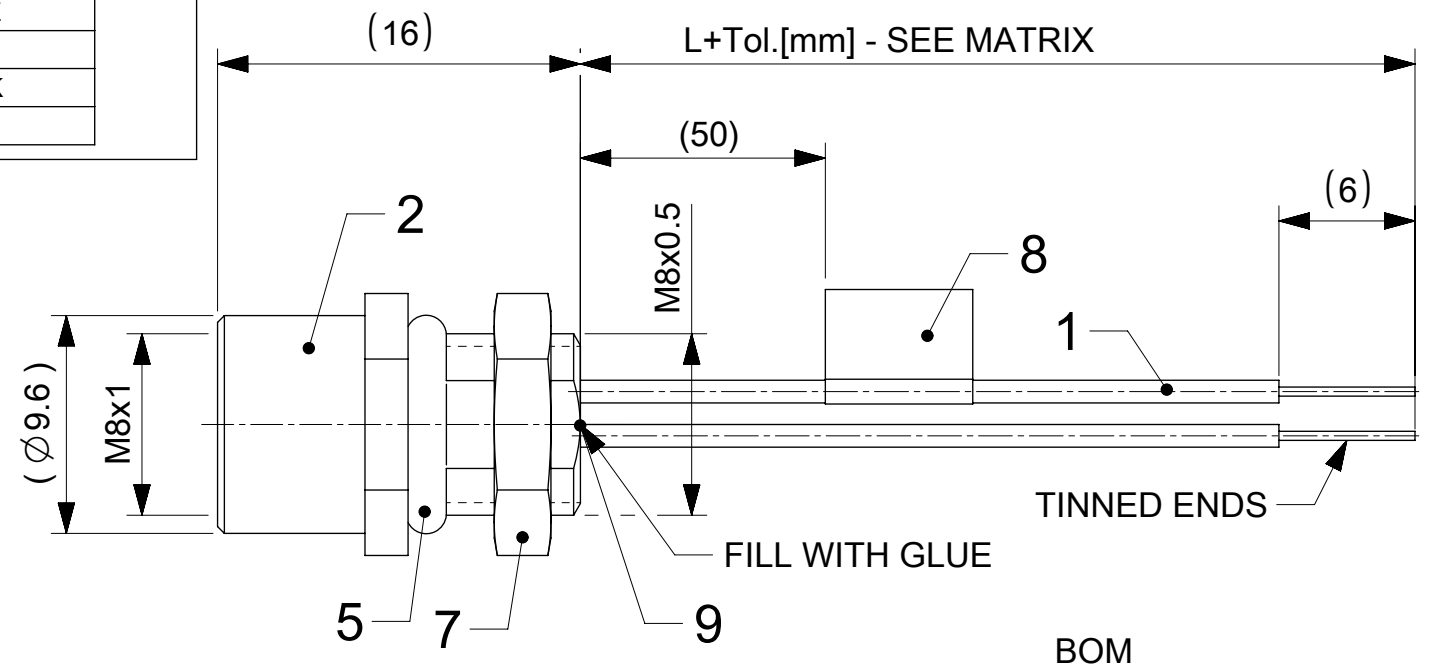
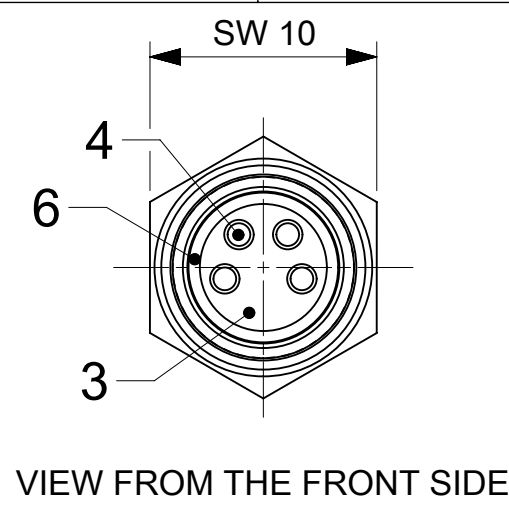


**PART No. MATRIX**

**4 R X F 3 0 E 0 2 X X X X X**

- 4R = M8 REC
- Poles: 4 = 4 Poles, 5 = 5 Poles, 8 = 8 Poles
- Shell Type
- Wires E02 = 0.25mm<sup>2</sup> PVC
- Units: M = Meters, C = Centimeters
- Length Examples: 005 = 0.5 unit, 010 = 1 unit, 100 = 10 units
- Shell material: Blank = Aluminum, 1 = stainless steel, 3 = brass with nickel plated

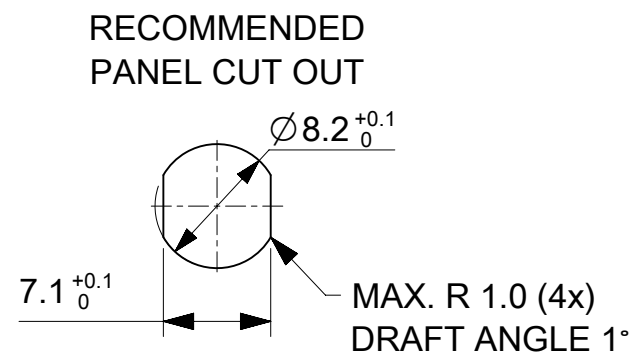


**M8 3-4-5P A-B Code:**  
**ELECTRICAL DATA:**  
 3P VOLTAGE RATING: 60V  
 4-5P VOLTAGE RATING: 30V  
 AMPERAGE RATING: 3A  
 INSULATION RESISTANCE: 10<sup>8</sup> Ω MIN.  
 MATING CYCLES: MIN. 100

**ENVIRONMENTAL:**  
 PROTECTION: IP65 in mated and locked position.  
 OPERATING TEMPERATURE: -25°C TO +85°C

**PART LIST**

MOLEX PN	ENGINEERING NO.	LENGTH (MM)
1200905071	4R3F30E02C200	2000
1200310015	4R3F30E02C3003	3000
1200310053	4R3F30E02M0203	2000
1200905076	4R4F30E02C200	2000
1200908035	4R4F30E02C2103	2100
1200908011	4R4F30E02C300	3000
1200310049	4R4F30E02C3003	3000
1200905106	4R5F30E02C200	2000
1200310028	4R5F30E02C3003	3000

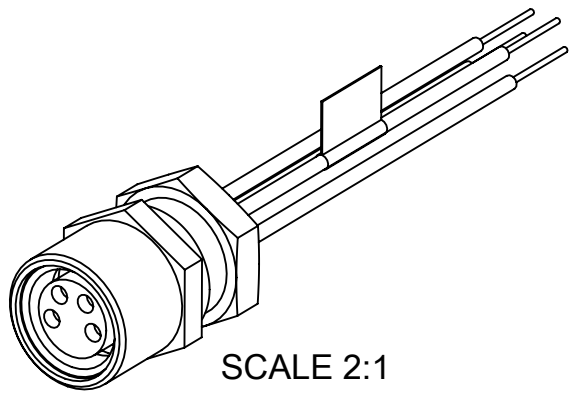


**Table of length tolerances [mm]**

Over	Up to and including	Tolerance
0	305	+19
305	915	+45
915	1830	+56
1830	3660	+89
3660	7320	+165
7320	14640	+317
14640	30500	+610
30500	>	+2% of length

**BOM**

ITEM	QTY	DESCRIPTION	MATERIAL	FINISH/COLOR
9	-	POTTING MATERIAL	WEVO	-
8	1	LABEL	VINYL	YELLOW
7	1	LOCKNUT M8X0.5	BRASS	NICKEL PLATED
6	1	GASKET	FKM	RED
5	1	O-RING	NBR	BLACK
4	3/4/5	CONTACT 10 FE	BRONZE	GOLD OVER NICKEL PLATED
3	1	INSERT M8 FE 5P	ELASTOLLAN	BLACK
2	1	REC SHELL M8(FE)XM8(M)	BRASS	NICKEL PLATED
1	-	WIRE;24AWG;OD=1.43mm	PVC	GRAY
	-	WIRE;24AWG;OD=1.43mm		BROWN
	-	WIRE;24AWG;OD=1.43mm		WHITE
	-	WIRE;24AWG;OD=1.43mm		BLUE
	-	WIRE;24AWG;OD=1.43mm		BLACK
ITEM	QTY	DESCRIPTION	MATERIAL	FINISH/COLOR



THIS DRAWING CONTAINS INFORMATION THAT IS PROPRIETARY TO MOLEX ELECTRONIC TECHNOLOGIES, LLC AND SHOULD NOT BE USED WITHOUT WRITTEN PERMISSION

FUNCTIONAL SYMBOLS:  $\nabla/A = 0$ ,  $\nabla/E = 0$ ,  $\nabla/F = 0$

DIVISIONAL SYMBOLS:  $\nabla/A = 0$ ,  $\nabla/E = 0$ ,  $\nabla/F = 0$

THIS DRAWING CONTAINS INFORMATION THAT IS PROPRIETARY TO MOLEX ELECTRONIC TECHNOLOGIES, LLC AND SHOULD NOT BE USED WITHOUT WRITTEN PERMISSION

CURRENT REV DESC: MIGRATED AND REVISED

EC NO: 702547  
 DRWN: MDHARMANTI 2022/04/05  
 CHK'D: RSILLER 2022/04/08  
 APPR: RSILLER 2022/04/08

INITIAL REVISION:  
 DRWN: MDHARMANTI 2022/04/05  
 APPR: RSILLER 2022/04/08

THIRD ANGLE PROJECTION

DRAWING: A3-SIZE  
 SERIES: 120090  
 MATERIAL NUMBER: SEE PART LIST  
 CUSTOMER: GENERAL MARKET

DOCUMENT NUMBER: 1200905076  
 DOC TYPE: PSD  
 DOC PART: 000  
 REVISION: A

SHEET NUMBER: 1 OF 1

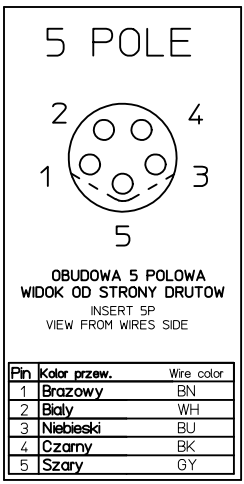
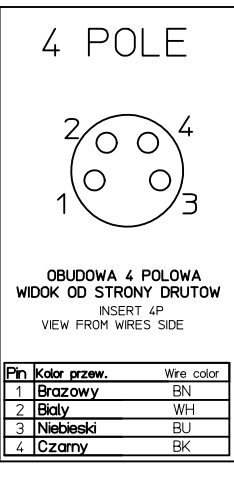
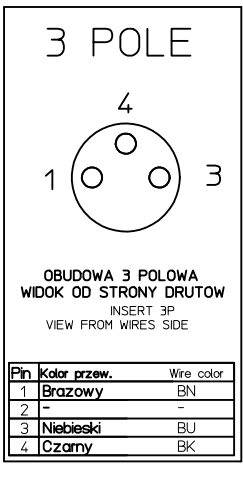
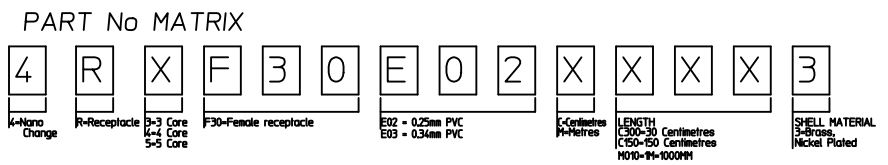


TABELA 1  
CHART 1

MOLEX PN	WOODHEAD PN	L(mm)	TYP
1200310015	4R3F30E02C3003	300	3 POLOWY
1200310053	4R3F30E02M0203	2000	3 POLOWY
1200310034	4R4F30E02C2003	200	4 POLOWY
1200310049	4R4F30E02C3003	300	4 POLOWY
1200310058	4R4F30E02M0103	1000	4 POLOWY
1200310028	4R5F30E02C3003	300	5 POLOWY
1200310111	4R4F30E02M010	1000	4 POLOWY
1200905002	4R4F30E03M0203	2000	4 POLOWY
1200908011	4R4F30E02C300	300	4 POLOWY

Tablica tolerancji dlugosci  
Table of length tolerances

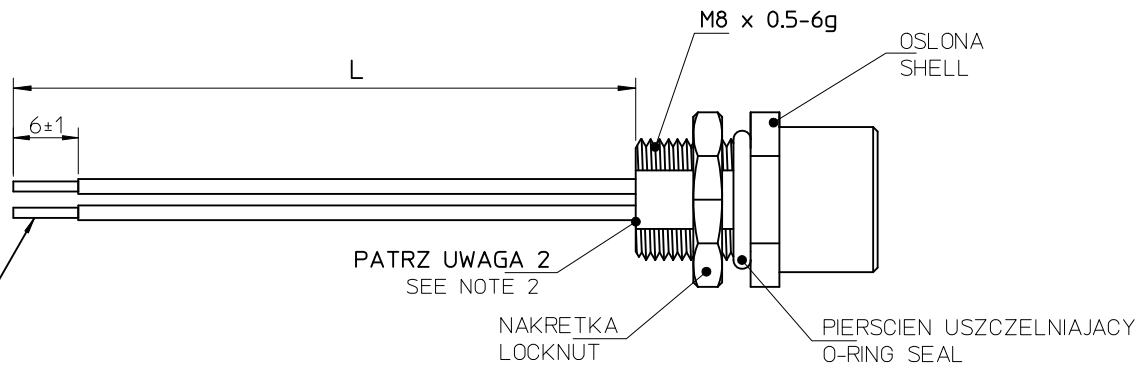
Powyzej Over	Do-wlacznice Up to and including	Tolerancja (+) Tolerance
0	305	+19
305	915	+45
915	1830	+56
1830	3660	+89
3660	7320	+165
7320	14640	+317
14640	30500	+610
30500	>	+2% dlugosci of length



WIDOK OD STRONY CZOLA  
FACE VIEW



CYNOWAC  
TINNED



PATRZ UWAGA 2  
SEE NOTE 2

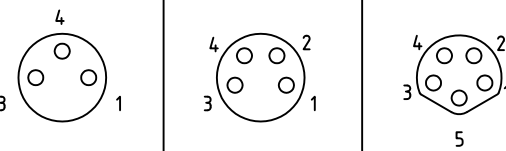
- UWAGI:
- DLUGOSC CIECIA I SPECYFIKACJE NABIJANIA WEDLUG LISTY CIECIA.
  - PO OSADZENIU TERMINALI ZALAC KLEJEM.

- NOTES:
- FOR CUTTING LENGTH AND CRIMPING SPECIFICATION SEE CUTTING LIST.
  - AFTER ASSEMBLED TERMINALS THE CONNECTOR MUST BE FLOOD BY GLUE.

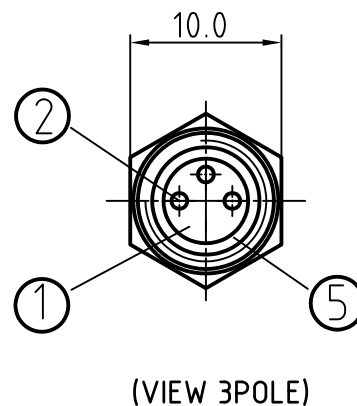
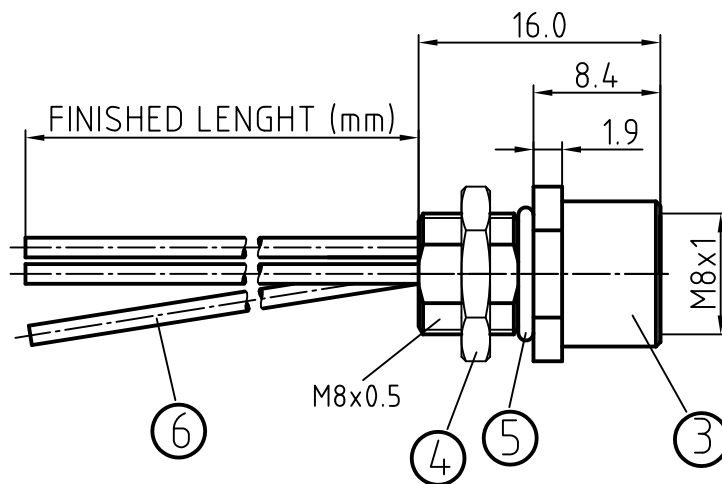
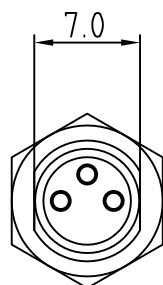
ORIGINAL RELEASE EC NO: WEU2009-0439 DRWN: MWOLSZCZAK 2009/06/04 CHKD: APPR: MDYSZEWSKA 2011/12/08	QUALITY SYMBOLS	GENERAL TOLERANCES (UNLESS SPECIFIED)	DIMENSION STYLE	SCALE	DESIGN UNITS	FIRST ANGLE PROJECTION	
	▽=0 ∇=0	mm INCH	MM ONLY	---	METRIC		
		4 PLACES ± --- ± --- 3 PLACES ± --- ± --- 2 PLACES ± --- ± --- 1 PLACE ± --- ± ---	DRAWN BY DATE MWOLSZCZAK 2008/05/10	TITLE			
		ANGULAR ± ---°	CHECKED BY DATE MDABROWSKA 2008/05/10	NC-XP-FE-REC -XXXM-M8-THD.			
	DRAFT WHERE APPLICABLE MUST REMAIN WITHIN DIMENSIONS	APPROVED BY DATE MDYSZEWSKA 2011/12/08	MOLEX INCORPORATED				
		MATERIAL NO.	SEE DRAWING	DOCUMENT NO.	4RXF30XXXXXXX3		
		SIZE	THIS DRAWING CONTAINS INFORMATION THAT IS PROPRIETARY TO MOLEX INCORPORATED AND SHOULD NOT BE USED WITHOUT WRITTEN PERMISSION				

FEMALE FACE VIEW

3 POLE      4 POLE      5 POLE

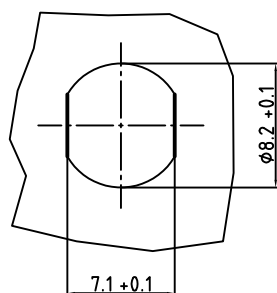


Pin No.	Wire	Pin No.	Wire	Pin No.	Wire
1	Brown	1	Brown	1	Brown
2	-	2	White	2	White
3	Blue	3	Blue	3	Blue
4	Black	4	Black	4	Black
				5	Grey



(VIEW 3POLE)

PANEL CUT OUT



POLE	MATERIAL NUMBER	ENGINEERING NUMBER	FINISHED LENGHT (MM)
3	1200310015	4R3F30E02C3003	300±25
4	1200310034	4R4F30E02C2003	200±25
5	1200310028	4R5F30E02C3003	300±25

CONNECTOR SPECIFICATION:	
VOLTAGE RATING	3-4POL:60V/AC 75V/DC 5POL:30V/AC 36V/DC
AMPERAGE RATING	3 AMPS
PROTECTION	IP67
OPERATING TEMPERATURE	-25°C TO +90°C

ITEM	COMPONENT	MATERIAL	FINISH
1	INSERT	POLYURETHANE (PUR)	BLACK
2	CONTACT SOCKET	COPPER ALLOY	GOLD OVER NICKEL
3	SHELL	BRASS	NICKEL PLATED
4	LOCKNUT	BRASS	NICKEL PLATED
5	O-RING	VITON	
6	COPPER STRANDING AWG24/0.25mm <sup>2</sup>	JACKET: PVC	

DESCRIPTION EC NO: WEU2010-0338 DRWN: REISSNER 2010/02/18 CHKD: RE APPR: FPACHER 2010/02/24	QUALITY SYMBOLS	GENERAL TOLERANCES (UNLESS SPECIFIED) mm      INCH 4 PLACES ±--- ±--- 3 PLACES ±--- ±--- 2 PLACES ±--- ±--- 1 PLACE ±0.1 ±--- ANGULAR ± --- °	DIMENSION STYLE	SCALE	DESIGN UNITS	THIRD ANGLE PROJECTION	
			MM ONLY	2:1	METRIC		
			DRAWN BY	DATE	NC-XP-FE-REC-XM AWG24-PVC FRONT MOUNT		
			REISSNER	2010/02/18	MOLEX INCORPORATED		
			CHECKED BY	DATE			
			FP	2010/02/18			
			APPROVED BY	DATE			
			FPACHER	2010/02/19			
			MATERIAL NO.	DOCUMENT NO.	SHEET NO.		
				SD-120090-028	1 OF 1		
			SIZE	THIS DRAWING CONTAINS INFORMATION THAT IS PROPRIETARY TO MOLEX INCORPORATED AND SHOULD NOT BE USED WITHOUT WRITTEN PERMISSION			
			A3				