



1214GN-600VHE

600 Watts • 50 Volts • 300us, 10%
1200-1400 MHz L-Band Radar

GENERAL DESCRIPTION

The 1214GN-600VHE is an internally matched, COMMON SOURCE, class AB GaN on SiC HEMT transistor capable of providing over 16.9dB gain, 60% drain efficiency, 600 Watts of pulsed RF output power at 300μs pulse width, 10% duty factor across the 1200 to 1400 MHz band. The transistor has internal pre-match for optimal performance. This transistor is ideal for use in L-band pulsed primary radar output stages. It utilizes gold metallization and eutectic attach to provide highest reliability and superior ruggedness.

CASE OUTLINE 55-KR Common Source

ABSOLUTE MAXIMUM RATINGS

Maximum Power Dissipation

Device Dissipation @ 25°C 1200 W

Maximum Voltage and Current

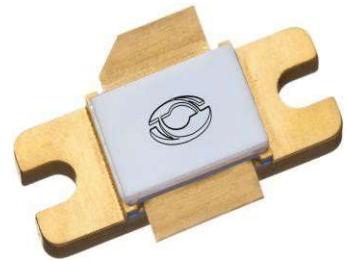
Drain-Source Voltage (V_{DSS}) 65 V

Gate-Source Voltage (V_{GS}) -8 to +0 V

Maximum Temperatures

Storage Temperature (T_{STG}) -55 to +150°C

Operating Junction Temperature +225°C



ELECTRICAL CHARACTERISTICS @ 25°C

Symbol	Characteristics	Test Conditions	Min	Typ	Max	Units
P_{OUT}	Output Power	$P_{out}=600W$, Freq=1200, 1300, 1400 MHz	600			W
G_P	Power Gain	$P_{out}=600W$, Freq=1200, 1300, 1400 MHz	16.9	17.5		dB
η_P	Drain Efficiency	$P_{out}=600W$, Freq=1200, 1300, 1400 MHz	60	63		%
D_r	Droop	$P_{out}=600W$, Freq=1200, 1300, 1400 MHz			0.8	dB
VSWR-T	Load Mismatch Tolerance	$P_{out}=600W$, Freq=1400 MHz			3:1	
Θ_{JC}	Thermal Resistance	Pulse Width=300uS, Duty=10%			0.23	°C/W

- Constant Gate Bias Condition: $V_{DD}=+50V$, $I_{DQ}=200mA$ average current ($V_{GS}= -2.0 \sim -4.5V$)

FUNCTIONAL CHARACTERISTICS @ 25°C

$I_{D(off)}$	Drain leakage current	$V_{GS} = -8V$, $V_D = 50V$			64	mA
$I_{G(off)}$	Gate leakage current	$V_{GS} = -8V$, $V_D = 0V$			20	mA

Export Classification: EAR-99



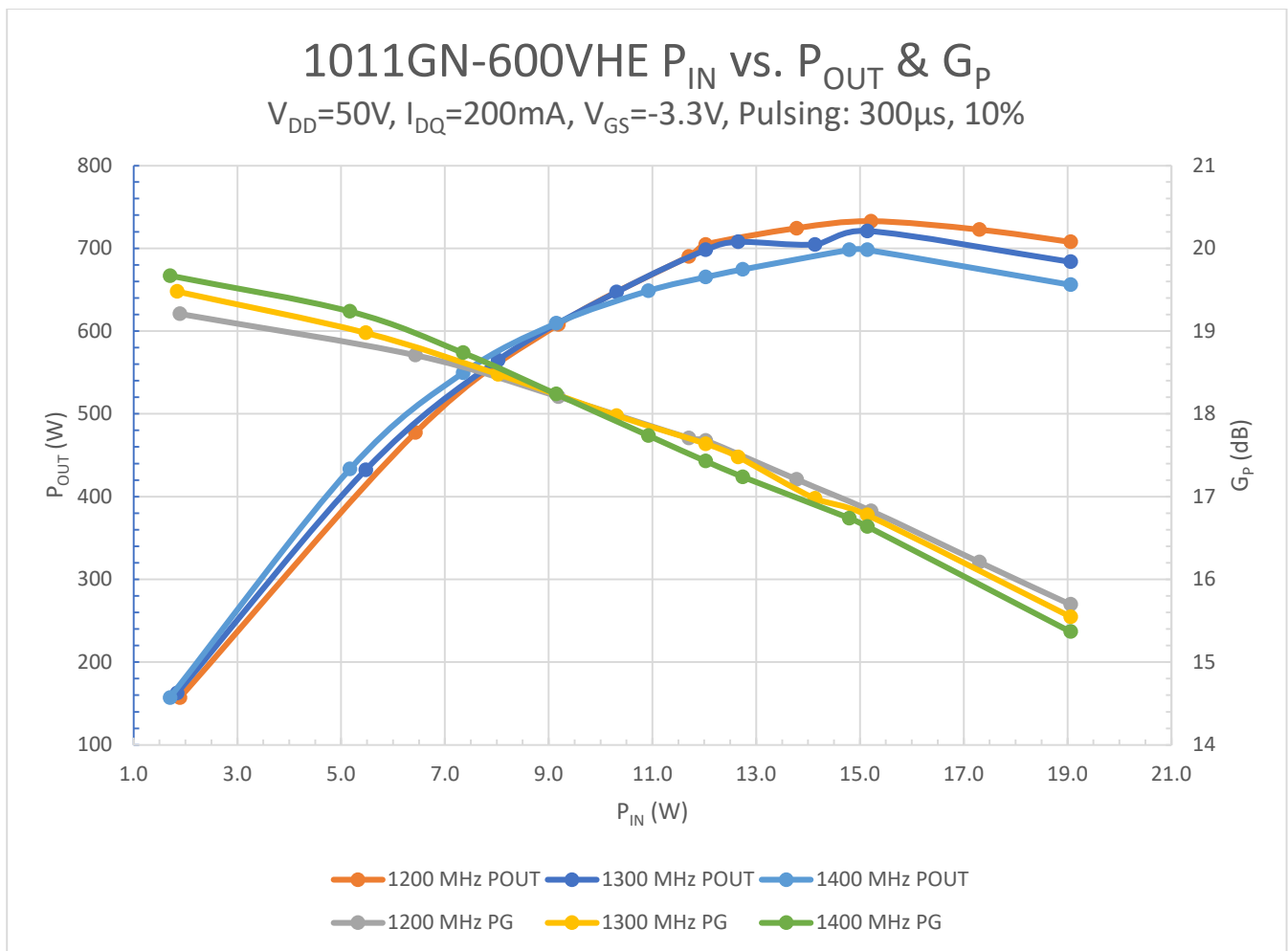
1214GN-600VHE

600 Watts • 50 Volts • 300us, 10%
1200-1400 MHz L-Band Radar

TYPICAL BROAD BAND PERFORMANCE DATA

1214GN-600VHE VDD = 50V IDQ = 200mA VGS = -3.3V Pulsing: 300μS - 10%

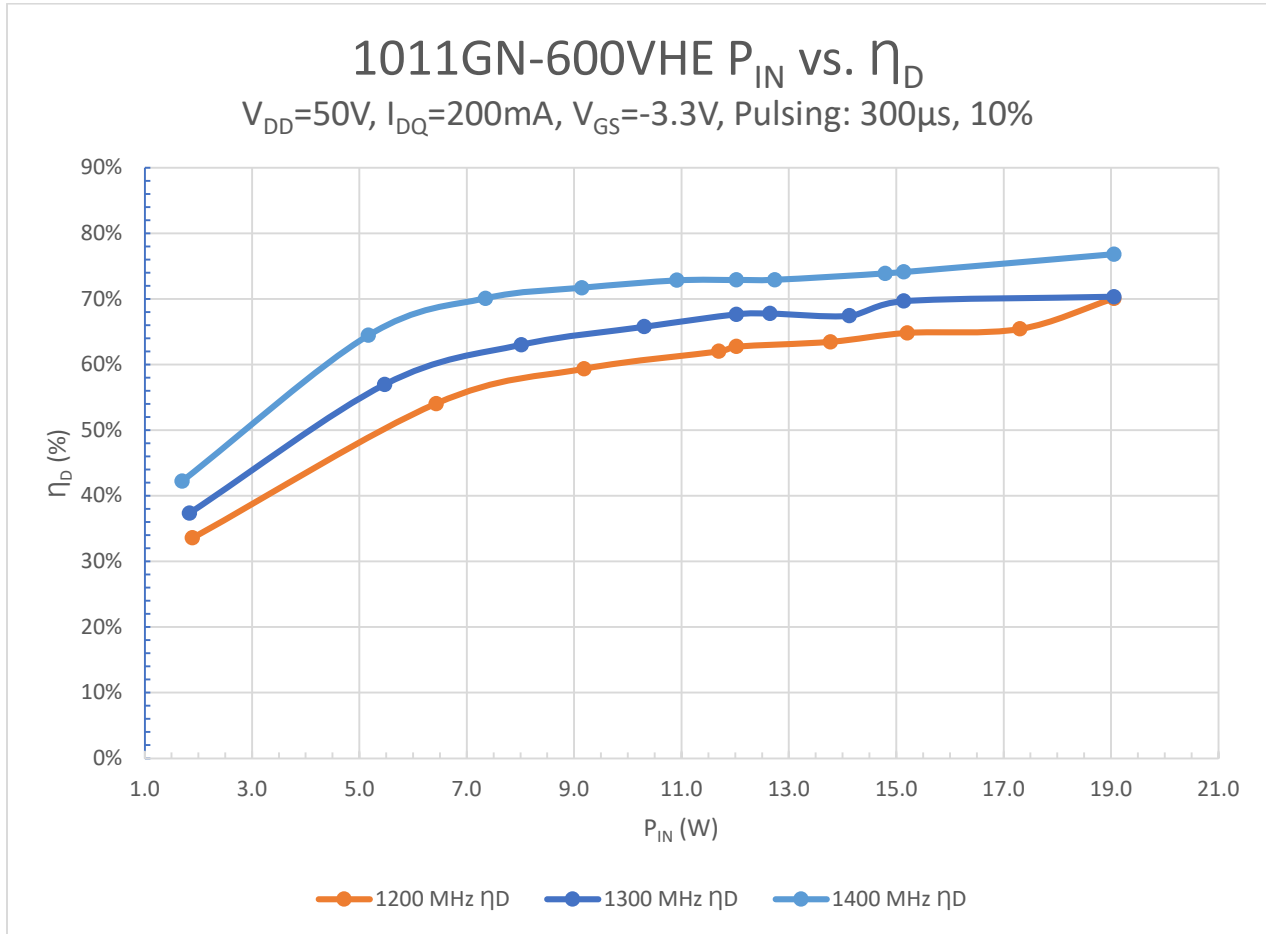
Frequency	P _{IN} (dBm)	P _{IN} (W)	P _{OUT} (dBm)	P _{OUT} (W)	G _P (dB)	IRL (dB)	η _D (%)	Droop (dB)
1200 MHz	40.8	12.0	58.48	705	17.7	-12.8	63%	0.55
1300 MHz	40.8	12.0	58.44	698	17.6	-11.7	68%	0.50
1400 MHz	40.8	12.0	58.23	665	17.4	-10.8	73%	0.30





1214GN-600VHE

600 Watts • 50 Volts • 300us, 10%
1200-1400 MHz L-Band Radar

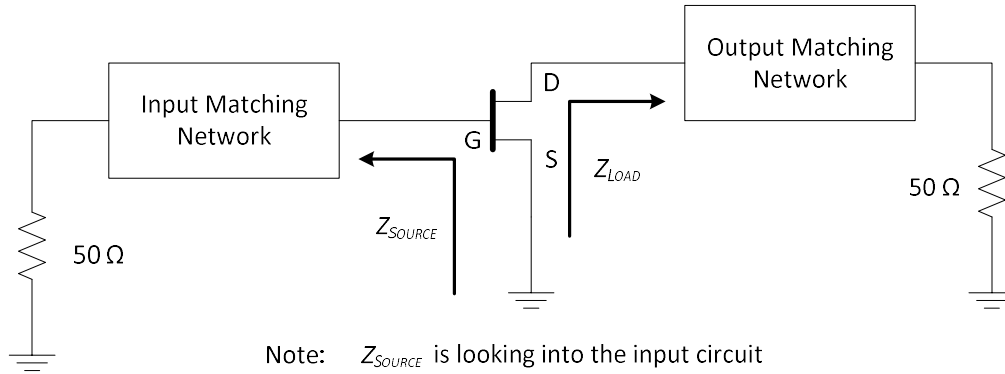




1214GN-600VHE

600 Watts • 50 Volts • 300us, 10%
1200-1400 MHz L-Band Radar

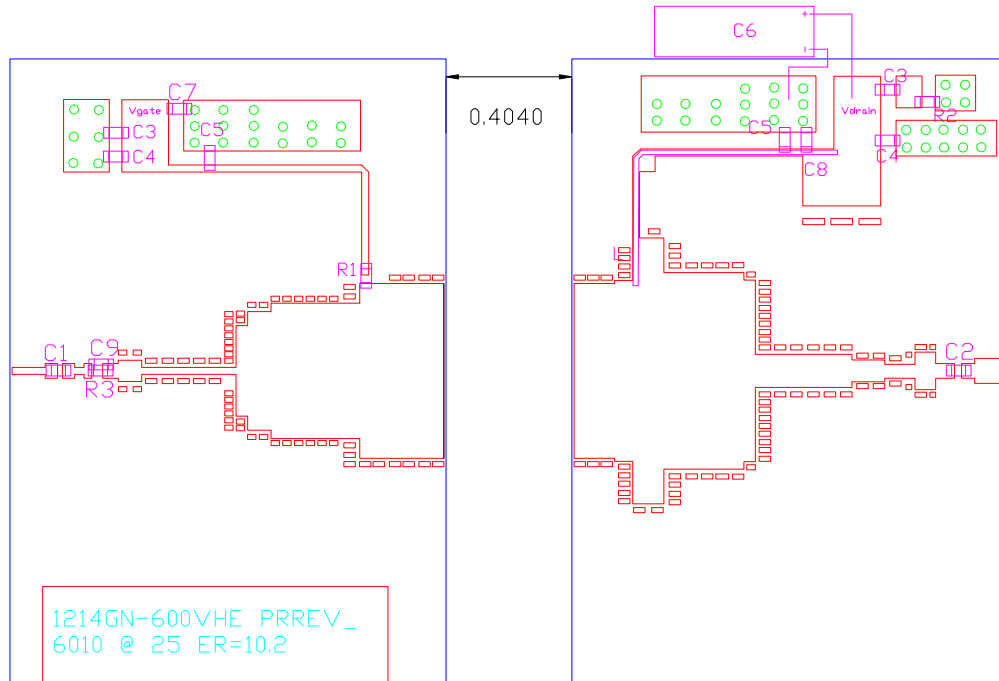
TRANSISTOR IMPEDANCE INFORMATION



Note: Z_{SOURCE} is looking into the input circuit
 Z_{LOAD} is looking into the output circuit

Impedance Data		
Freq	Z_{SOURCE}	Z_{LOAD}
1.2 GHz	1.34 + j0.03	1.496 - j1.176
1.3 GHz	1.28 + j0.62	1.551 - j0.950
1.4 GHz	1.21 + j1.2	1.510 - j0.777

TEST CIRCUIT AND BOM

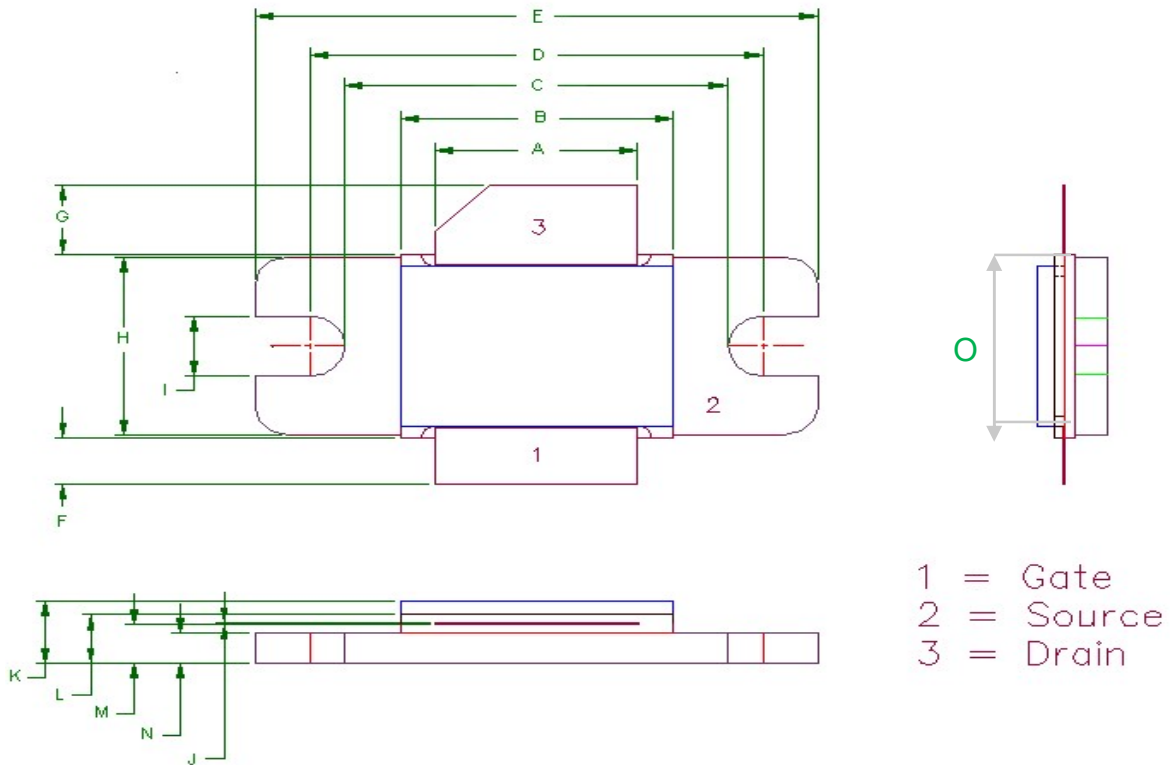


1214GN-600VHE Er=10.2 H=25mil PR Rev _

Component List		
Item	Description	Value
C1	ATC 800A	100pF
C2	ATC 800R	100PF
C3	ATC 200B	100000pF
C4	CER 250V 10% X7R 1206	1000pF
C5	ATC 100B	120PF
C6	Elyctrolytic Capacitor (63V)	6800UF
C7	mono capacitor	2.2uF
C8	ATC800A	33pF
C9	ATC 100A	9.1pF
R1	0805	10 ohm
R2	0805	2.2ohm
R3	0805	309 ohm
note	C3, C4 X2	
note	C9 is stacked on R3	

Test circuit dxf file available upon request.

55-KR PACKAGE DIMENSIONS



Dimension	Min (mil)	Min (mm)	Max (mil)	Max (mm)
A	370	9.40	372	9.44
B	498	12.65	500	12.7
C	700	17.78	702	17.83
D	830	21.08	832	21.13
E	1030	26.16	1032	26.21
F	101	2.56	102	2.59
G	151	3.84	152	3.86
H	385	9.78	387	9.83
I	130	3.30	132	3.35
J	003	.076	004	0.10
K	135	3.43	137	3.48
L	105	2.67	107	2.72
M	085	2.16	86	2.18
N	065	1.65	66	1.68
O	398	10.11	404	10.26



1214GN-600VHE

600 Watts • 50 Volts • 300us, 10%
1200-1400 MHz L-Band Radar

Microsemi makes no warranty, representation, or guarantee regarding the information contained herein or the suitability of its products and services for any particular purpose, nor does Microsemi assume any liability whatsoever arising out of the application or use of any product or circuit. The products sold hereunder and any other products sold by Microsemi have been subject to limited testing and should not be used in conjunction with mission-critical equipment or applications. Any performance specifications are believed to be reliable but are not verified, and Buyer must conduct and complete all performance and other testing of the products, alone and together with, or installed in, any end-products. Buyer shall not rely on any data and performance specifications or parameters provided by Microsemi. It is the Buyer's responsibility to independently determine suitability of any products and to test and verify the same. The information provided by Microsemi hereunder is provided "as is, where is" and with all faults, and the entire risk associated with such information is entirely with the Buyer. Microsemi does not grant, explicitly or implicitly, to any party any patent rights, licenses, or any other IP rights, whether with regard to such information itself or anything described by such information. Information provided in this document is proprietary to Microsemi, and Microsemi reserves the right to make any changes to the information in this document or to any products and services at any time without notice.

About Microsemi

Microsemi Corporation (Nasdaq: MSCC) offers a comprehensive portfolio of semiconductor and system solutions for communications, defense & security, aerospace and industrial markets. Products include high-performance and radiation-hardened analog mixed-signal integrated circuits, FPGAs, SoCs and ASICs; power management products; timing and synchronization devices and precise time solutions, setting the world's standard for time; voice processing devices; RF solutions; discrete components; enterprise storage and communication solutions, security technologies and scalable anti-tamper products; Ethernet solutions; Power-over-Ethernet ICs and midspans; as well as custom design capabilities and services. Microsemi is headquartered in Aliso Viejo, Calif., and has approximately 4,800 employees globally. Learn more at www.microsemi.com.

©2017 Microsemi Corporation. All rights reserved. Microsemi and the Microsemi logo are registered trademarks of Microsemi Corporation. All other trademarks and service marks are the property of their respective owners.

Microsemi Corporate Headquarters
One Enterprise, Aliso Viejo, CA 92656 USA
Within the USA: +1 (800) 713-4113
Outside the USA: +1 (949) 380-6100
Sales: +1 (949) 380-6136 Fax: +1 (949) 215-4996
E-mail: sales.support@microsemi.com

Revision History

Revision Level / Date	Para. Affected	Description
- / July 2015		Initial Release
R3 / August 2017	Various-	Idq=200mA & Test Circuit Optimizations
R4 / August 2017	Typical Data	Updated typical data and charts

Specifications are subject to change. For the most current information and sales contacts consult: www.MICROSEMI.com