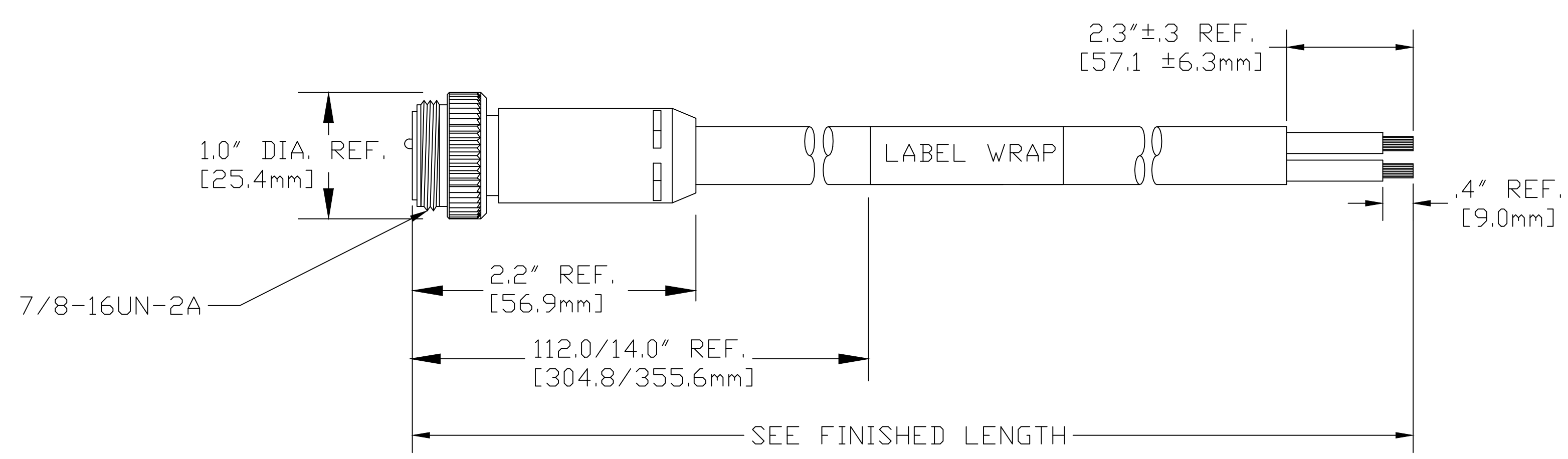


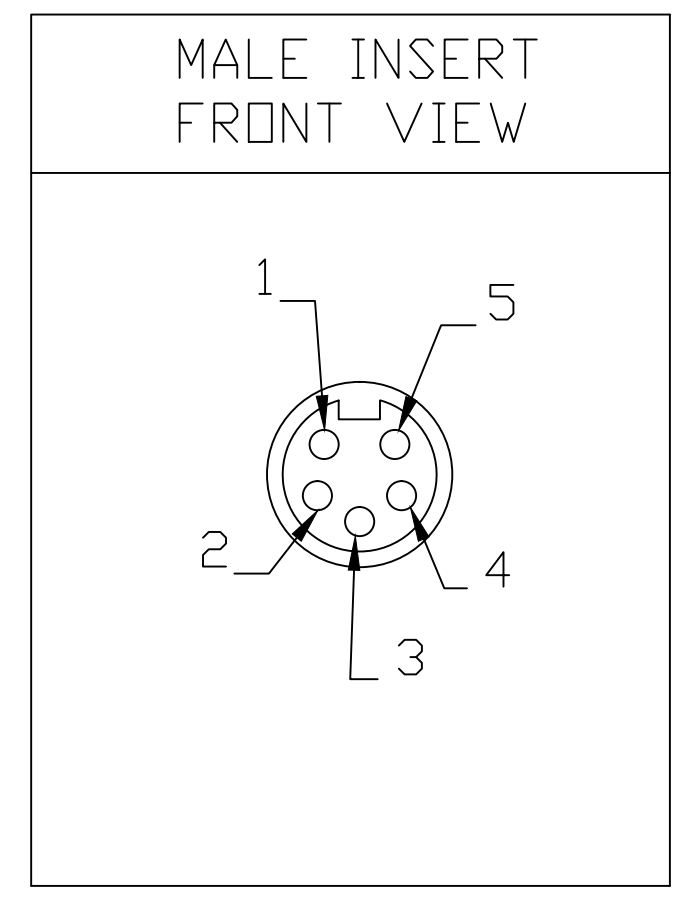
13	12	11	10	9	8	7	6	5	4	3	2	1
<b>MATERIAL NUMBER</b>	<b>OLD PART NUMBER</b>	<b>FINISHED LENGTH</b>										
1300240249	DNE01A-M010	3.28' +3.50" -0 [1.0M +88.9mm -0]										



### DNE01A-M010

Cable type  
DEVICENET  
TRAY-RATED

cable length  
M010----1 Meter  
M100----10 Meter



CONTACT:	GOLD/NICKEL OVER COPPER ALLOY
INSERT:	PVC, GRAY
COUPLING NUT:	ZINC DIE CAST, BLACK E-COATED
MOLDED BODY:	PVC, GRAY
VOLTAGE RATING:	600 VAC/VDC
AMPERAGE RATING:	8 AMPS
PROTECTION:	IP67
OPERATING TEMPERATURE:	-20°C TO 75°C
CERTIFICATIONS:	UL RECOGNIZED FILE NO. E152210 CSA CERTIFIED FILE NO. LR6837

1	DRAIN
2	RED
3	BLACK
4	WHITE
5	BLUE

WIRING DIAGRAM

INITIAL RELEASE EC NO: IPG2014-0457 DRWN: GGUSTAFS 2013/08/30 CH'KD: BARDEN APPR: BWOODMAN 2013/10/07 REV	QUALITY SYMBOL	GENERAL TOLERANCES (UNLESS SPECIFIED)		DIMENSION STYLE	SCALE	DESIGN UNITS	THIRD ANGLE PROJECTION	
	▽=0 ∇=0	mm	INCH	IN/MM	NTS	INCH		
		4 PLACES ±---	±---	DRAWN BY DATE	TITLE			
		3 PLACES ±---	±.005	EBRACKEN 2013/06/18	MINI-CHANGE DEVICENET 5 POLE ST MALE TRUNK CABLE 2TPR PVC			
	2 PLACES ±0.13	±.010	CHECKED BY DATE	MOLEX INCORPORATED				
	1 PLACE ±0.25	±.020	BARDEN 2013/09/12	DOCUMENT NO. SD-130024-024				
			APPROVED BY DATE	SHEET NO. 1 OF 1				
			BWOODMAN 2013/10/07	THIS DRAWING CONTAINS INFORMATION THAT IS PROPRIETARY TO MOLEX INCORPORATED AND SHOULD NOT BE USED WITHOUT WRITTEN PERMISSION				
			MATERIAL NO.					
			SEE CHART					
			SIZE C					