

Sensor/actuator connector - SACC-M12FS-4QO-0,75-VA - 1440782

Please be informed that the data shown in this PDF Document is generated from our Online Catalog. Please find the complete data in the user's documentation. Our General Terms of Use for Downloads are valid (<http://phoenixcontact.com/download>)




Sensor/actuator connector, Universal, 4-position, Socket straight M12, A-coded, Insulation displacement connection, knurl material: Stainless steel 1.4404, external cable diameter 4 mm ... 8 mm

Your advantages

- ✓ Safe use in the field, thanks to a high degree of protection
- ✓ Flexible: connectors for on-site assembly
- ✓ Insulation displacement connection: innovative and time-saving assembly without stripping the single wire

Key Commercial Data

Packing unit	1 pc
GTIN	 4 046356 517003
GTIN	4046356517003

Technical data

Dimensions

Wrench size, union nut	15 mm
External diameter	4 mm ... 8 mm

Ambient conditions

Ambient temperature (operation)	-25 °C ... 80 °C (Plug / socket)
Ambient temperature (assembly)	-5 °C ... 50 °C (During assembly)

General

Note	NOTE: Observe the permissible bending radii when laying conductors, since the degree of protection may be put in jeopardy if the bending forces are too high. Alleviate mechanical loads upstream of the connector, e.g. by using cable ties.
Rated current at 40°C	4 A
Rated voltage	250 V AC
	250 V DC

Sensor/actuator connector - SACC-M12FS-4QO-0,75-VA - 1440782

Technical data

General

Number of positions	4
Color handle area	black
Insulation resistance	≥ 100 MΩ
Coding	A - standard
Standards/regulations	M12 connector according to IEC 61076-2-101
Signal type/category	Universal
Status display	No
Overvoltage category	III
Degree of pollution	3
Connection method	Insulation displacement connection
Conductor cross section	0.34 mm² ... 0.75 mm²
Conductor cross section AWG	22 ... 18
Wire diameter including insulation	1.3 mm ... 2.6 mm
Frequency of connections between conductors of the same cross section	10
Wire insulation material	PVC / PE / PP / rubber
Structure of individual litz in acc. with VDE 0295 / smallest wire diameter	Class 2-6
Insertion/withdrawal cycles	≥ 100
Torque	0.4 Nm (M12 knurl) 1.5 Nm (Pressure nut)
Assembly instructions	AWG 18 wire cross section upon request

Material

Flammability rating according to UL 94	V0
Contact material	CuSn
Contact surface material	Ni/Au
Contact carrier material	TPU
Material of grip body	PA 6
Material, knurls	Stainless steel 1.4404
Sealing material	Neoprene (Cable clamping) FKM (M12 socket)

Cable

Standards/specifications	M12 connector according to IEC 61076-2-101
--------------------------	--

Standards and Regulations

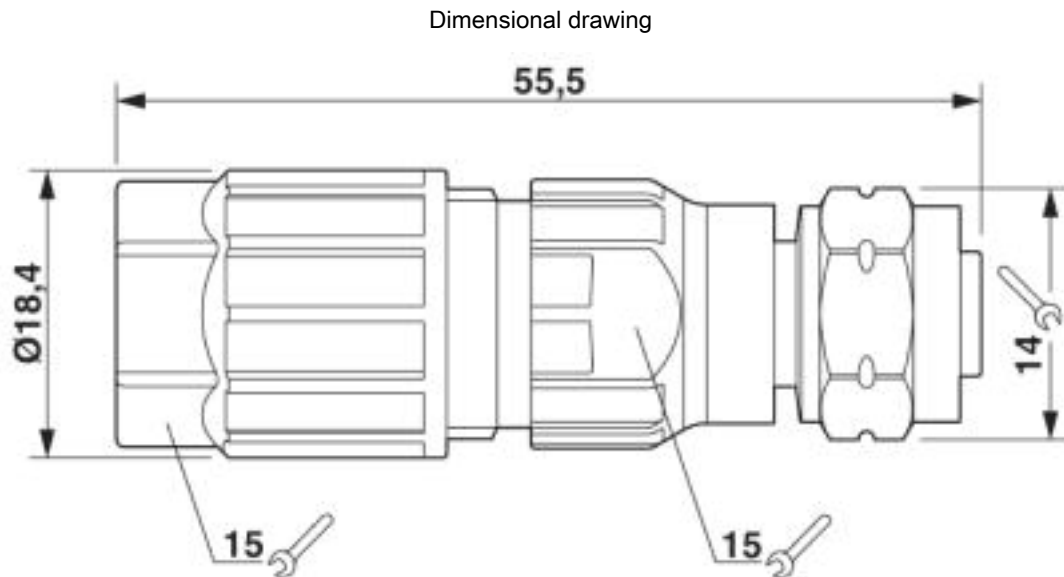
Standard designation	M12 connector
Standards/regulations	according to IEC 61076-2-101
Flammability rating according to UL 94	V0

Environmental Product Compliance

China RoHS	Environmentally friendly use period: unlimited = EFUP-e No hazardous substances above threshold values
------------	---

Sensor/actuator connector - SACC-M12FS-4QO-0,75-VA - 1440782

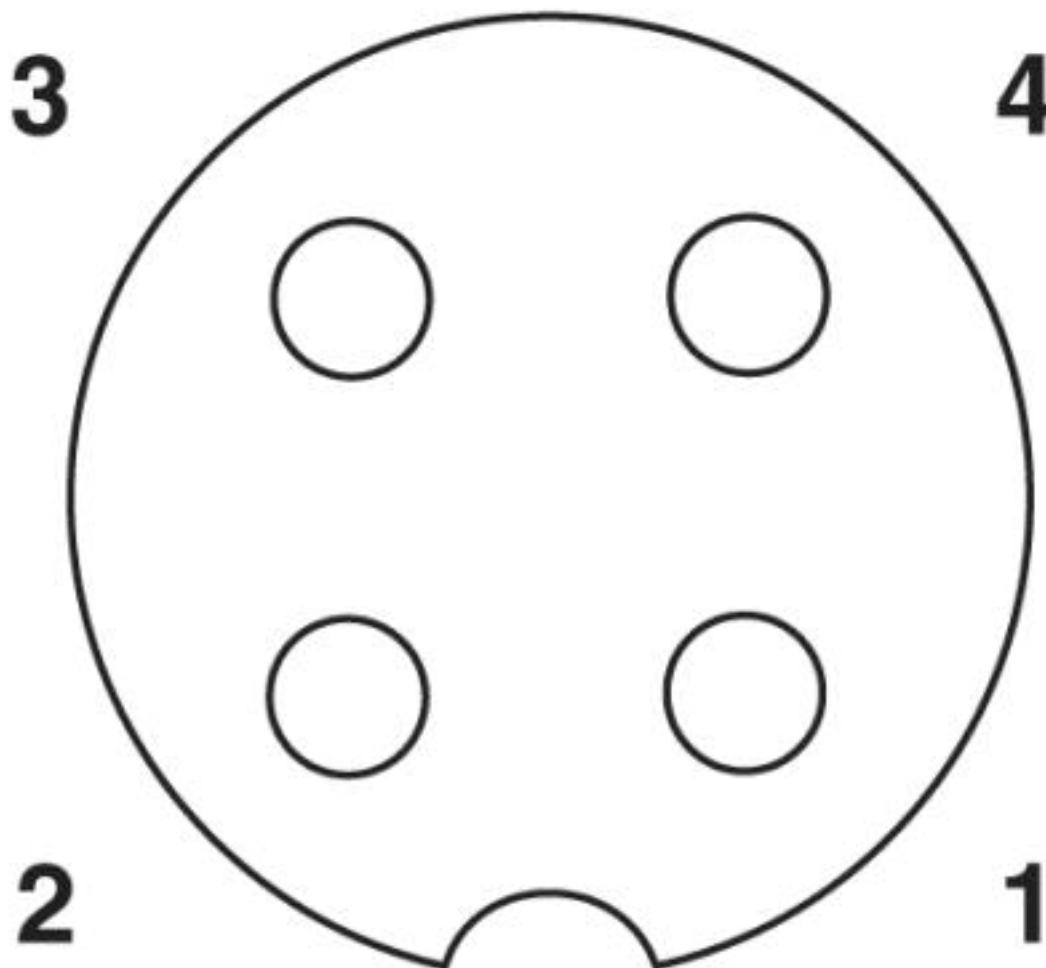
Drawings



M12 socket, straight,
QUICKON connection: 0.34 mm² ... 0.75 mm²

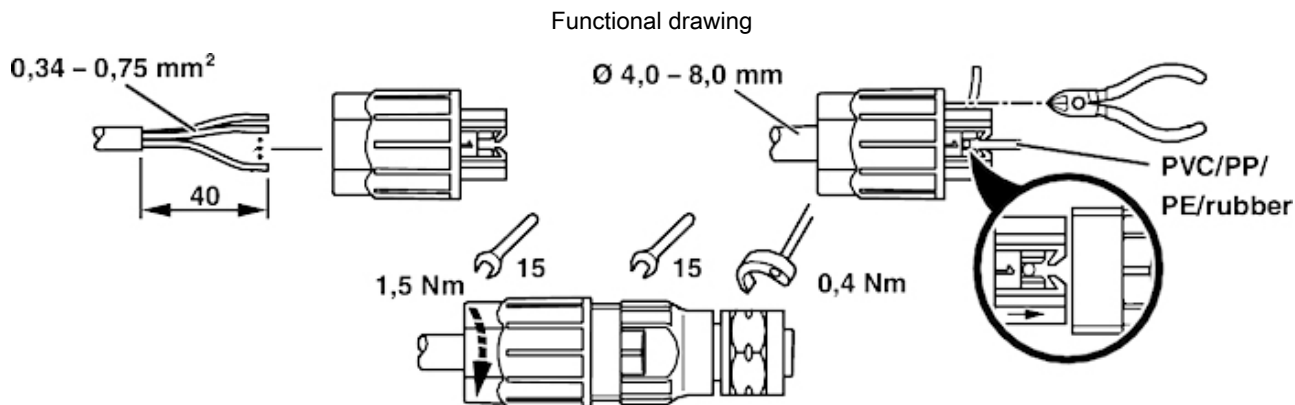
Sensor/actuator connector - SACC-M12FS-4QO-0,75-VA - 1440782

Schematic diagram



Pin assignment M12 socket, 4-pos., A-coded, view female side

Sensor/actuator connector - SACC-M12FS-4QO-0,75-VA - 1440782



Approvals

Approvals

Approvals

DNV GL / EAC

Ex Approvals

Approval details

DNV GL		https://approvalfinder.dnvgl.com/	TAE00002K4
--------	--	---	------------

EAC		RU C- DE.AI30.B.01102
-----	--	--------------------------

Phoenix Contact 2019 © - all rights reserved
<http://www.phoenixcontact.com>

PHOENIX CONTACT GmbH & Co. KG
Flachmarktstr. 8
32825 Blomberg
Germany
Tel. +49 5235 300
Fax +49 5235 3 41200
<http://www.phoenixcontact.com>