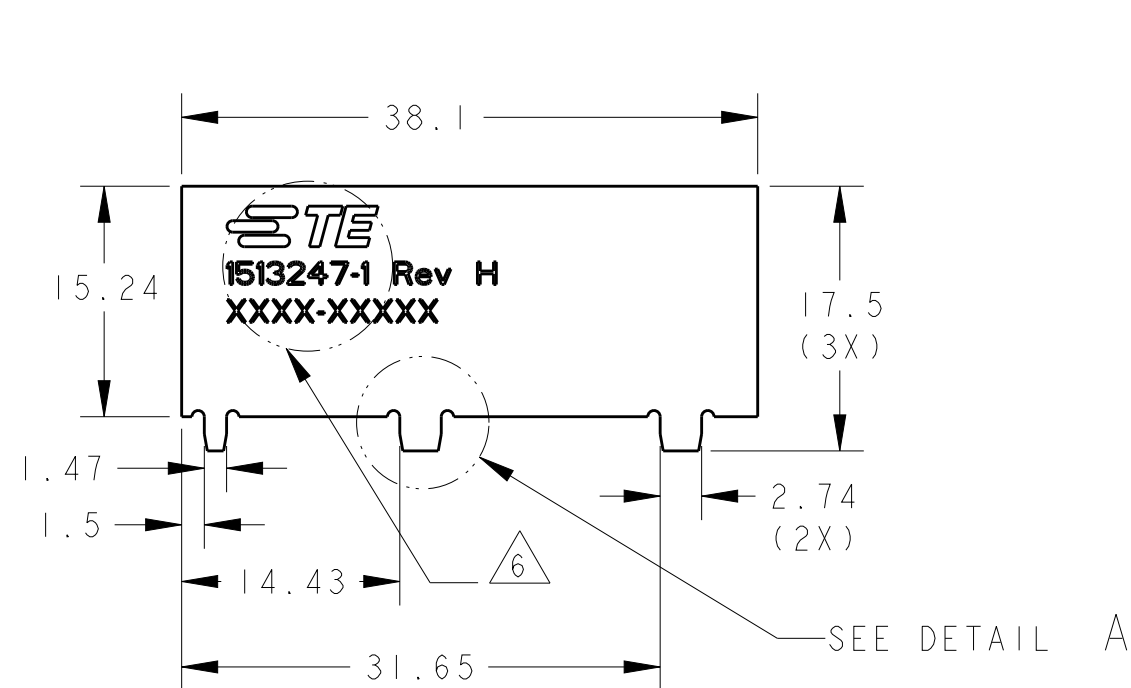
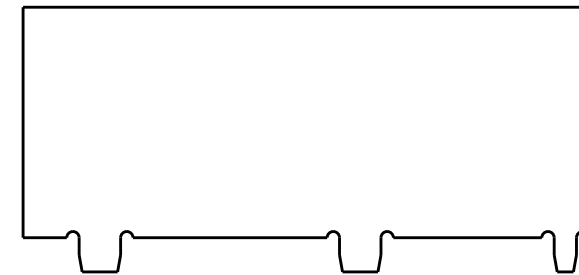


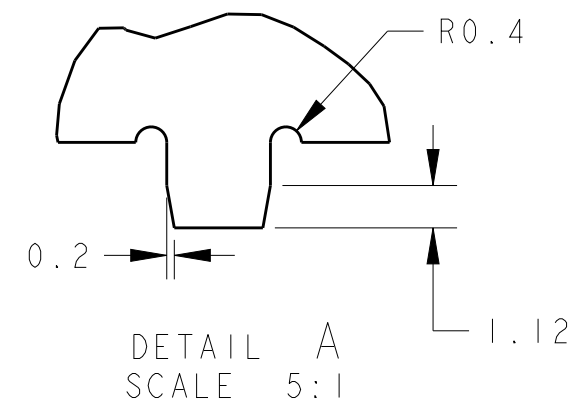
P	LTR	DESCRIPTION	DATE	DWN	APVD
	E	REVISED NOTES AND TE LOGO	23OCT2009	DW	GG
	H	REVISED PER ECO-20-006487	11MAY2020	SJ	JH



1.63  
OVERALL THICKNESS



1513247-1  
AS SHOWN



NOTES: UNLESS OTHERWISE SPECIFIED.

- FABRICATE TO MEET IPC - 6013, CLASS 2. INSPECT TO MEET IPC - A - 600, CLASS 2.
- MATERIAL : FR-4 PCB.
- FINISH:  
A: SOLDERMASK BOTH SIDES: ORANGE.  
B: ENIG PLATING.
- PACKAGING: SINGULATED PARTS TO BE SECURELY SHRINK WRAPPED, BAGGED OR VACUUM PACKED IN BULK.
- CONSULT TE CONNECTIVITY DATA SHEET DSI513247.
- SILKSCREEN; WHITE EPOXY INK.  
A. TE LOGO, TE P/N  
B. WORD REV., FOLLOWED BY THE LATEST REVISION LETTER, AS SHOWN.  
C. 4 DIGIT DATE CODE: FIRST 2 DIGITS FOR THE WEEK CODE AND THE 2ND TWO DIGITS FOR THE YEAR CODE.  
5 DIGIT CODE: SPECIFIC TE SOURCE CODE NUMBER DIGITS AS REQUIRED.

THIS DRAWING IS A CONTROLLED DOCUMENT.		DWN DJI	02NOV2005	TE Connectivity	
DIMENSIONS: mm		CHK -	APVD -		
		TOLERANCES UNLESS OTHERWISE SPECIFIED:		PRODUCT SPEC -	RESTRICTED TO
MATERIAL material_2		FINISH finish_spec_2		APPLICATION SPEC -	SIZE A3
				WEIGHT -	CAGE CODE 00779
				CUSTOMER DRAWING	DRAWING NO 1513247
				SCALE 2:1	SHEET 1 OF 1
					REV H