

Flush-type connector - SACC-E-MINMS-5CON-PG13/0,5 - 1521452

Please be informed that the data shown in this PDF Document is generated from our Online Catalog. Please find the complete data in the user's documentation. Our General Terms of Use for Downloads are valid (<http://phoenixcontact.com/download>)



Sensor/actuator flush-type plug, 5-pos., 7/8", front mounting with Pg13.5 thread, with 0.5 m PVC litz wire, 5 x 0.75 mm²



Key Commercial Data

Packing unit	1 pc
GTIN	
GTIN	4017918949679

Technical data

Dimensions

Length of cable	0.5 m
-----------------	-------

Ambient conditions

Ambient temperature (operation)	-40 °C ... 85 °C (Plug)
Degree of protection	IP67

General

Rated current at 40°C	9 A
Rated voltage	250 V
Number of positions	5
Insulation resistance	≥ 100 MΩ
Coding	A - standard
Status display	No
Overvoltage category	II
Degree of pollution	3
Connection method	Individual wires
Mounting type	Front mounting Pg13.5

Material

Flush-type connector - SACC-E-MINMS-5CON-PG13/0,5 - 1521452

Technical data

Material

Flammability rating according to UL 94	HB
Contact material	CuZn
Contact surface material	Au
Contact carrier material	PUR
Material, knurls	Zinc die-cast, nickel-plated
Sealing material	Viton

Cable

Cable type	PVC litz wire
Conductor cross section	0.75 mm ²
AWG signal line	18
Conductor structure signal line	24x 0.20 mm
Core diameter including insulation	2.7 mm
Thickness, insulation	0.85 mm (Core insulation)
Wire colors	brown, white, blue, black, green-yellow
Material conductor insulation	PE

Standards and Regulations

Connection in acc. with standard	CUL
Flammability rating according to UL 94	HB

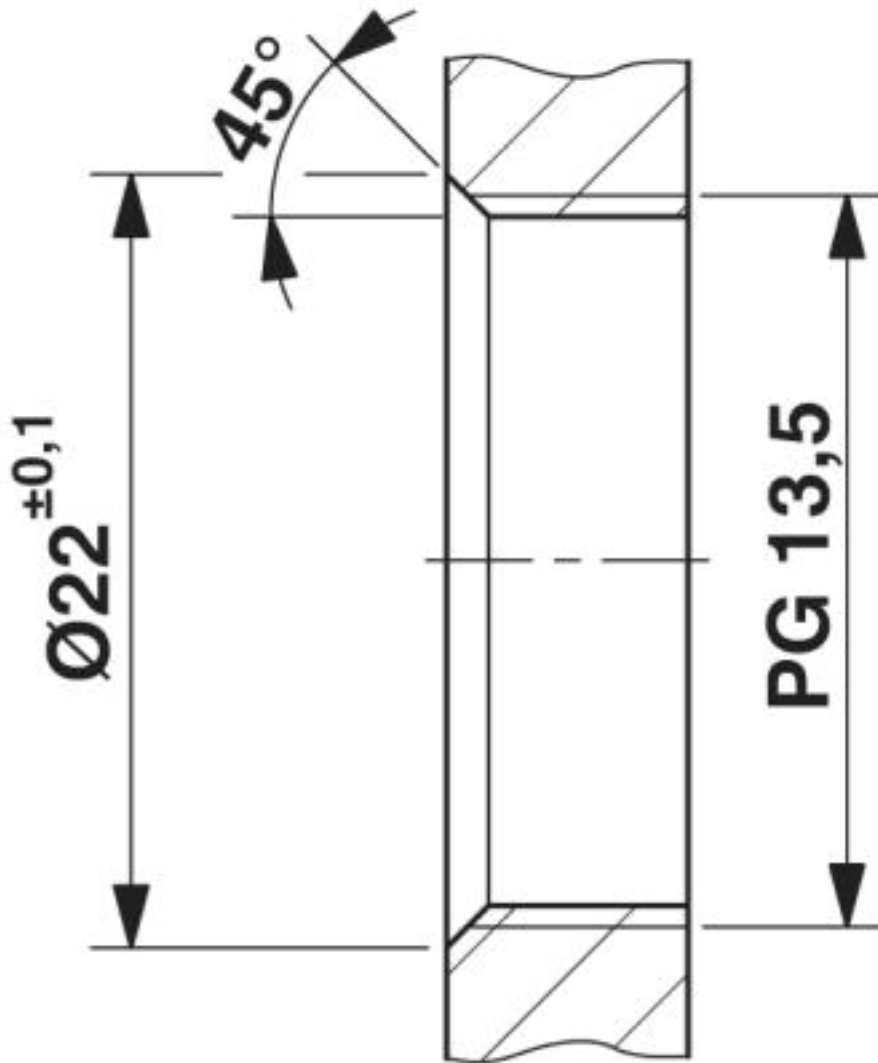
Environmental Product Compliance

	Lead 7439-92-1
China RoHS	Environmentally Friendly Use Period = 25;
	For details about hazardous substances go to tab "Downloads", Category "Manufacturer's declaration"

Drawings

Flush-type connector - SACC-E-MINMS-5CON-PG13/0,5 - 1521452

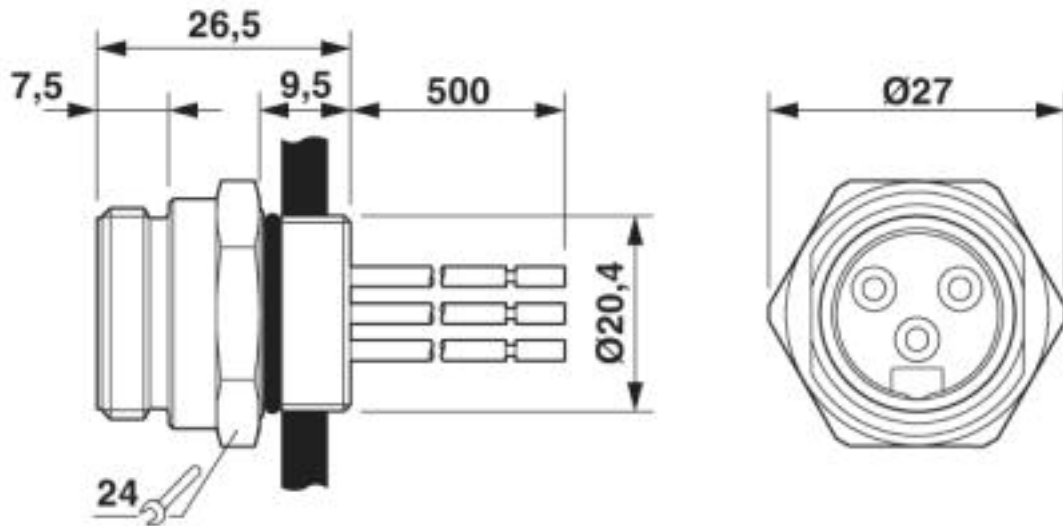
Dimensional drawing



Mounting panel with thread

Flush-type connector - SACC-E-MINMS-5CON-PG13/0,5 - 1521452

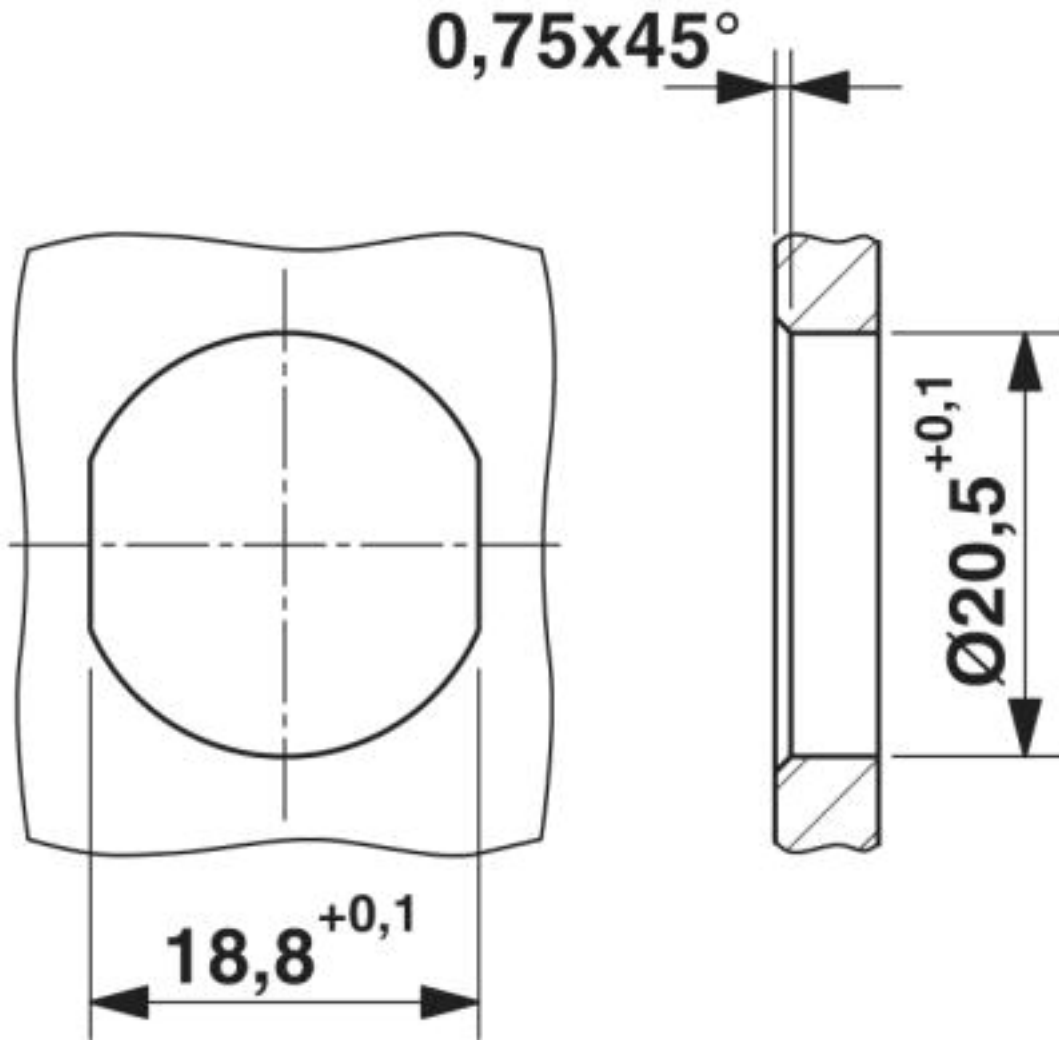
Dimensional drawing



7/8" flush-type plug

Flush-type connector - SACC-E-MINMS-5CON-PG13/0,5 - 1521452

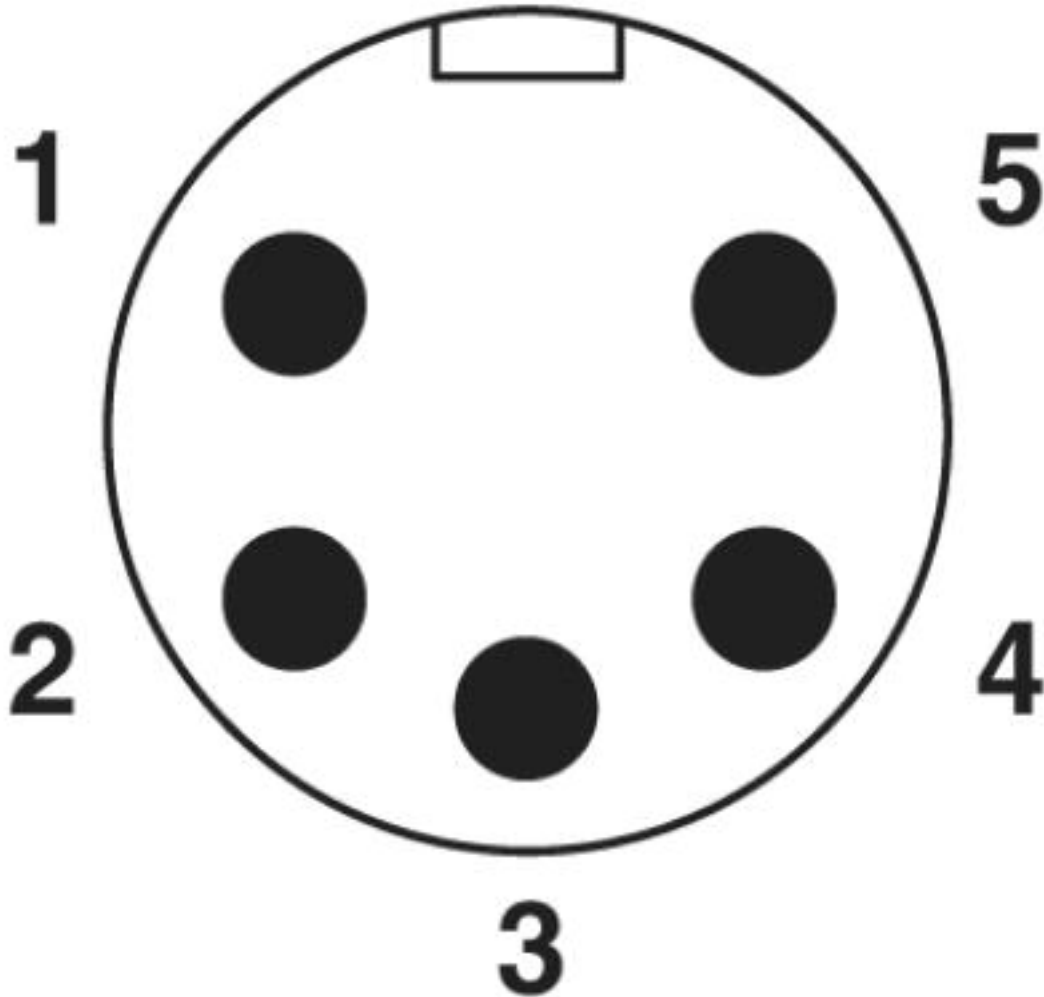
Dimensional drawing



Mounting panel with feed-through hole

Flush-type connector - SACC-E-MINMS-5CON-PG13/0,5 - 1521452

Schematic diagram



Pin assignment, plug, 7/8"-16UNF, 5-pos., view of male side

Approvals

Approvals

Approvals

UL Recognized / cUL Recognized / EAC / cULus Recognized

Ex Approvals

Approval details

Flush-type connector - SACC-E-MINMS-5CON-PG13/0,5 - 1521452

Approvals

UL Recognized		http://database.ul.com/cgi-bin/XYV/template/LISEXT/1FRAME/index.htm	FILE E 221474
Nominal voltage UN	600 V		
Nominal current IN	8 A		
mm ² /AWG/kcmil	20		

cUL Recognized		http://database.ul.com/cgi-bin/XYV/template/LISEXT/1FRAME/index.htm	FILE E 221474
Nominal voltage UN	600 V		
Nominal current IN	8 A		
mm ² /AWG/kcmil	20		

EAC		B.01742
-----	--	---------

cULus Recognized	
------------------	--

Phoenix Contact 2019 © - all rights reserved
<http://www.phoenixcontact.com>

PHOENIX CONTACT GmbH & Co. KG
Flachsmarktstr. 8
32825 Blomberg
Germany
Tel. +49 5235 300
Fax +49 5235 3 41200
<http://www.phoenixcontact.com>