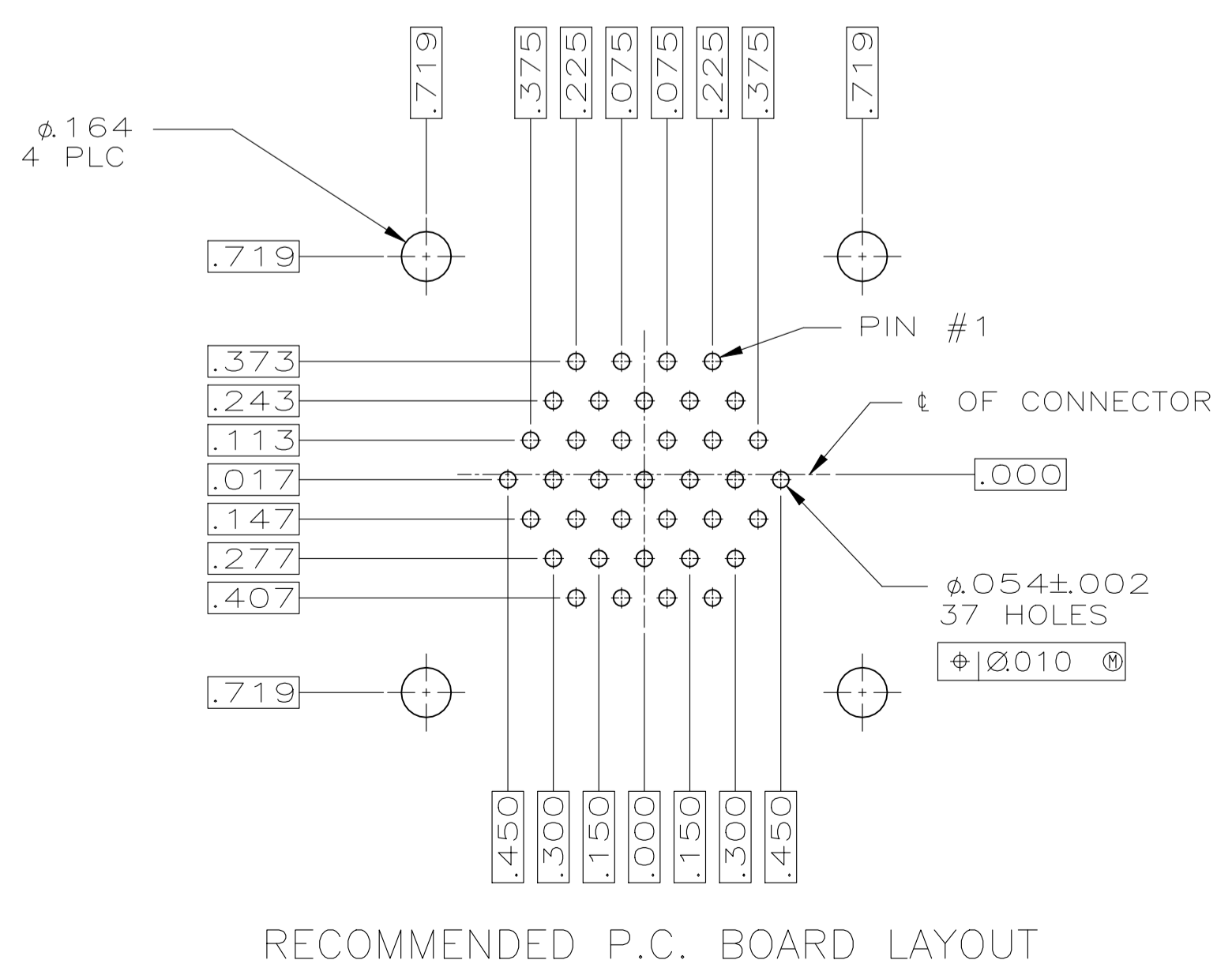
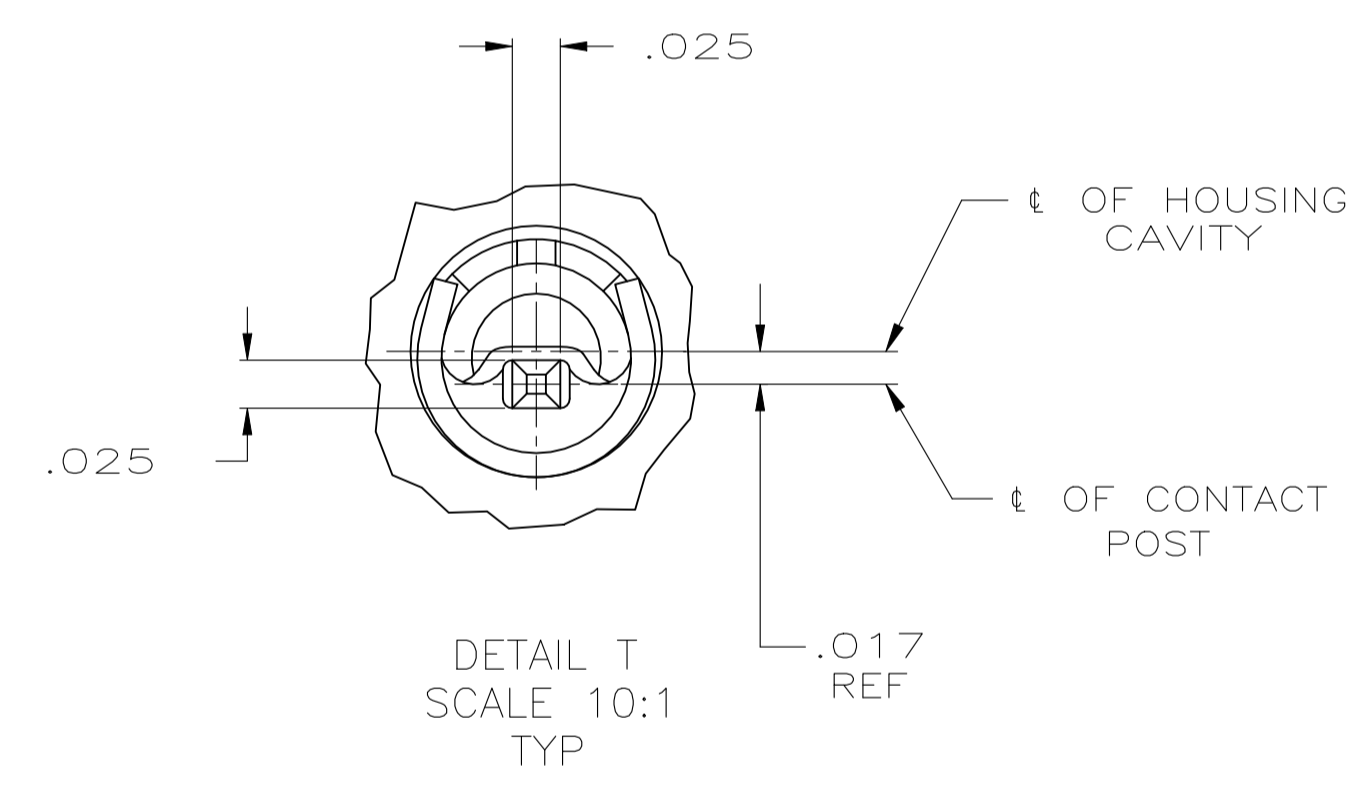
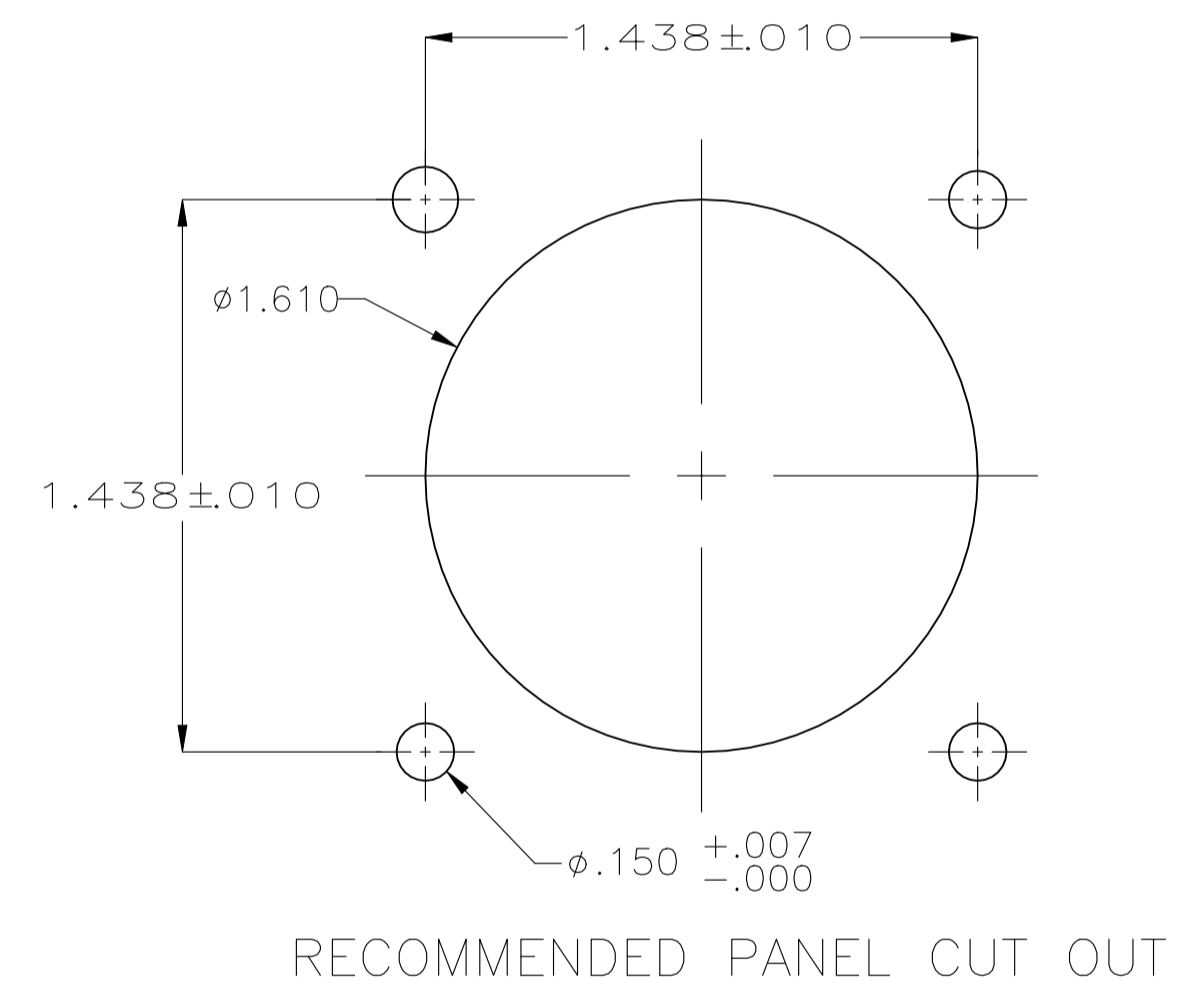
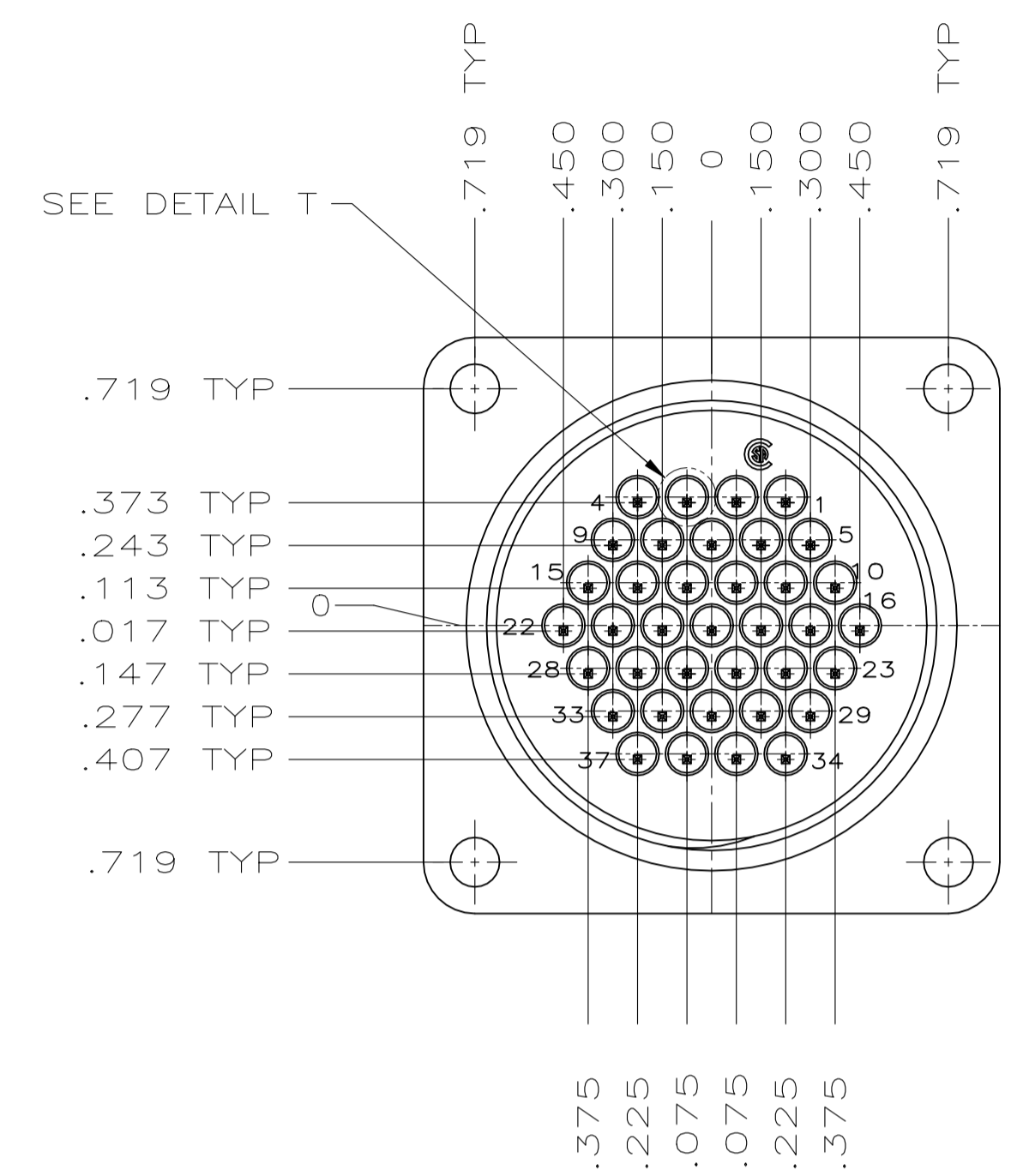
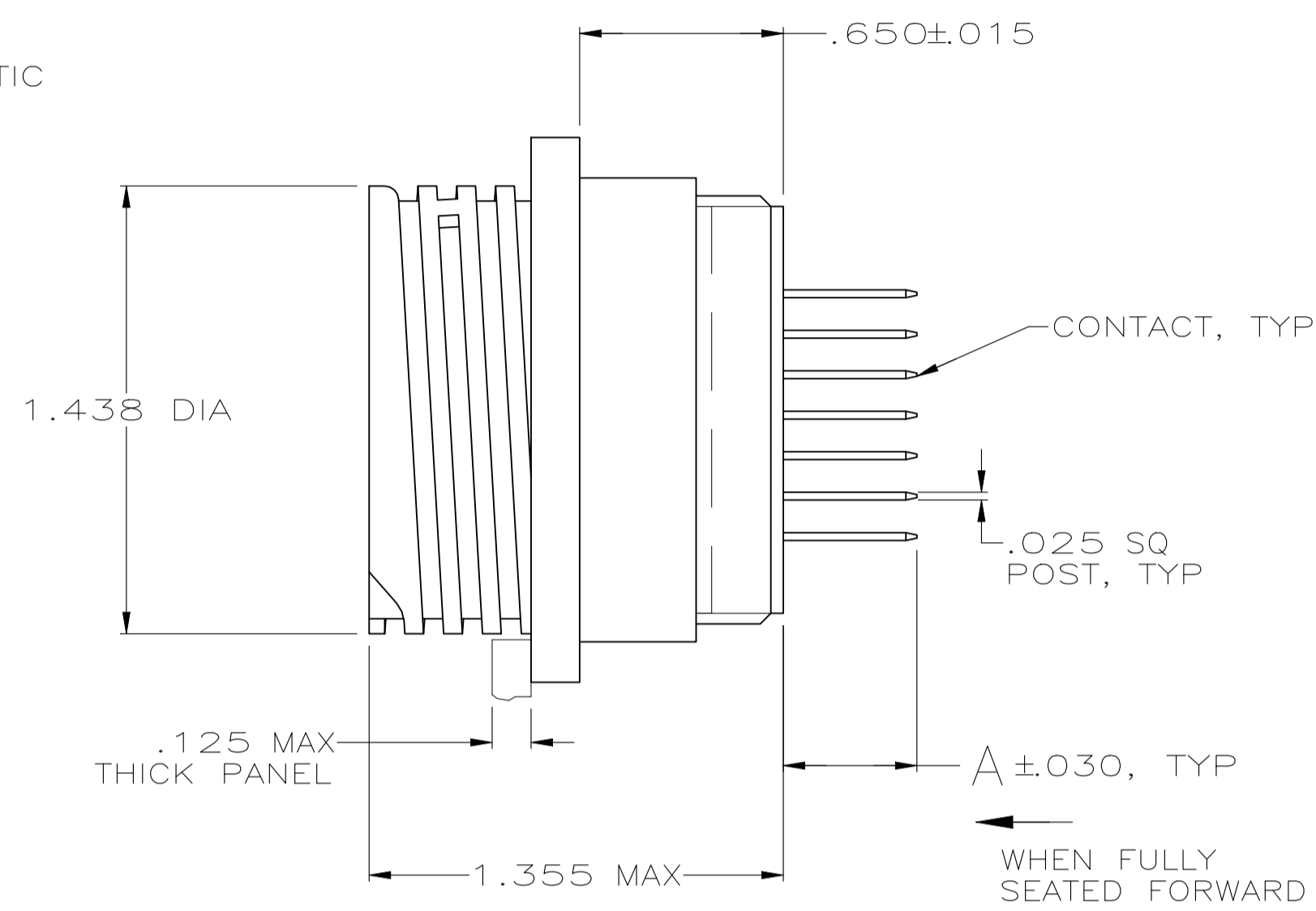
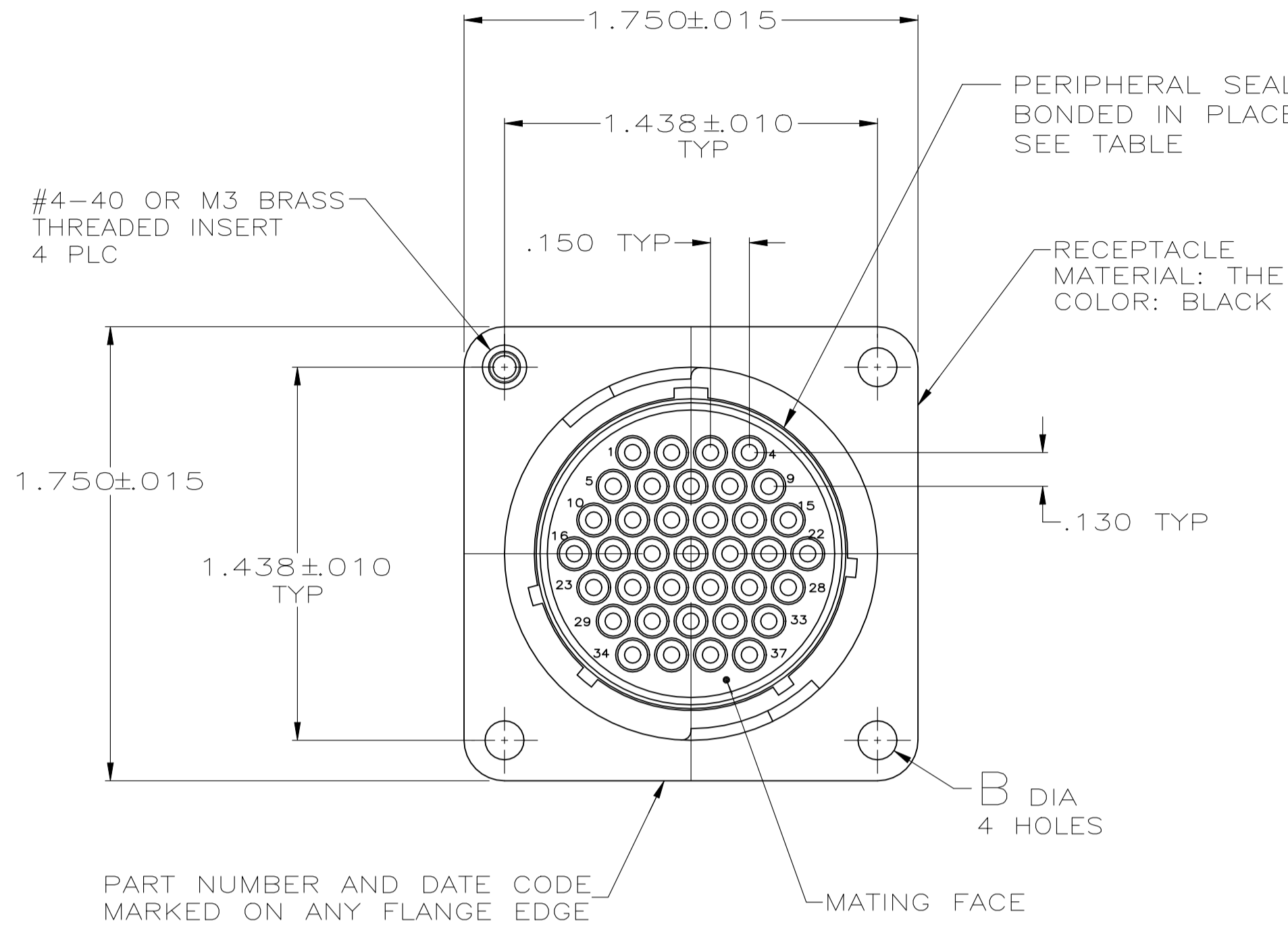


| REVISIONS | | | | | |
|-----------|-------------|---------------|-----------|----|------|
| P | LTR | DESCRIPTION | DATE | DN | APVD |
| AJ1 | REVISED PER | ECR-22-144105 | 29JUN2022 | RK | MZ |



- CONNECTOR WILL ACCEPT POSTED TYPE III+ PIN CONTACTS.
- CONTACT BODY: SELECT GOLD OVER NICKEL.
CONTACT POST: TIN-LEAD PER MIL-T-10727 OVER COPPER PER MIL-C-14550A.
- RECOMMENDED PC BOARD HOLE SIZE FOR CONTACT POST: 1.02±.008[.040±.003] DIA.
- CONTACT BODY: SELECT GOLD OVER NICKEL.
CONTACT POST: TIN OVER NICKEL.
- POSITIONS LOADED WITH CONTACTS: 1-4, 10-17, 19-22, 24, 25, 29, 30, 32, 33.
- POSITIONS LOADED WITH CONTACTS: 1-20, 22-28, 30-37.
- OBSOLETE PARTS: OBSOLETE CIS STREAMLINING PER D.RENAUD/D.SINISI.
- CONTACT BODY: TIN OVER NICKEL.
CONTACT POST: TIN OVER NICKEL.
- CONTACT BODY: SELECT GOLD OVER NICKEL.
CONTACT POST: TIN/LEAD OVER NICKEL.
- CONTACT BODY: TIN/LEAD OVER NICKEL.
CONTACT POST: TIN/LEAD OVER NICKEL.

| | | | | | | |
|----------------|------------|--------------|-----------------|-----------|------|-------------|
| 5 | NO | YES | NO | - | .220 | 3-206934-1 |
| 5 | NO | YES | NO | - | .220 | 3-206934-0 |
| 5 | NO | YES | YES | - | .170 | 2-206934-9 |
| 5 | NO | YES | NO | - | .413 | 2-206934-8 |
| 5 | NO | YES | NO | - | .257 | 2-206934-7 |
| 5 | NO | YES | YES | - | .119 | 2-206934-6 |
| 5 | NO | NO | NO | .150±.003 | .240 | 2-206934-5 |
| 5 | NO | NO | NO | .150±.003 | .220 | 2-206934-3 |
| 5 | NO | NO | YES | .150±.003 | .119 | 2-206934-2 |
| 5 | NO | NO | NO | .150±.003 | .119 | 2-206934-1 |
| 5 | NO | YES | YES | - | .618 | 2-206934-0 |
| 5 | NO | NO | NO | .150±.003 | .618 | 1-206934-9 |
| 5 | NO | NO | NO | .150±.003 | .429 | 1-206934-8 |
| 5 | NO | YES | YES | - | .119 | 1-206934-7 |
| 5 | NO | NO | YES | .150±.003 | .429 | 1-206934-5 |
| 5 | NO | YES | NO | - | .618 | 1-206934-4 |
| 5 | NO | YES | NO | - | .220 | 1-206934-3 |
| 5 | NO | NO | NO | .150±.003 | .429 | 1-206934-2 |
| 5 | NO | NO | NO | .150±.003 | .220 | 1-206934-1 |
| 5 | YES | NO | YES | - | .119 | 1-206934-0 |
| 5 | YES | YES | YES | - | .119 | 206934-9 |
| 5 | NO | NO | NO | .150±.003 | .618 | 206934-7 |
| 5 | NO | NO | NO | .150±.003 | .429 | 206934-6 |
| 5 | NO | NO | NO | .150±.003 | .119 | 206934-5 |
| 5 | NO | YES | NO | - | .220 | 206934-4 |
| 5 | NO | NO | NO | .158±.001 | .618 | 206934-3 |
| 5 | NO | NO | NO | .158±.001 | .429 | 206934-2 |
| 5 | NO | NO | NO | .150±.003 | .220 | 206934-1 |
| CONTACT FINISH | M3 INSERTS | 4-40 INSERTS | PERIPHERAL SEAL | B | A | PART NUMBER |

THIS DRAWING IS A CONTROLLED DOCUMENT.

DIMENSIONS: INCHES
TOLERANCES UNLESS OTHERWISE SPECIFIED:
0 PLC ± -
1 PLC ± -
2 PLC ± -
3 PLC ± .005
4 PLC ± -
ANGLES ± -

MATERIAL: SEE CALLOUT
FINISH: CONTACT: 5

APPROVED: W.G. LENKER
DATE: 4-14-92
NAME: K. REAVER
DATE: 4-14-92
PRODUCT SPEC: 108-10024
APPLICATION SPEC: -

SIZE: A1
WEIGHT: -
CUSTOMER DRAWING

DIN: J. GALLUCCI
CIRK: W.G. LENKER
APPROVED: K. REAVER
DATE: 4-14-92
NAME: -
PRODUCT SPEC: 108-10024
APPLICATION SPEC: -

TE Connectivity
RECEPTACLE ASSEMBLY, POSTED, STD SEX, SERIES 1, 23-37, CPC

SCALE: 2:1
SHEET: 1 of 1
REV: AJ1