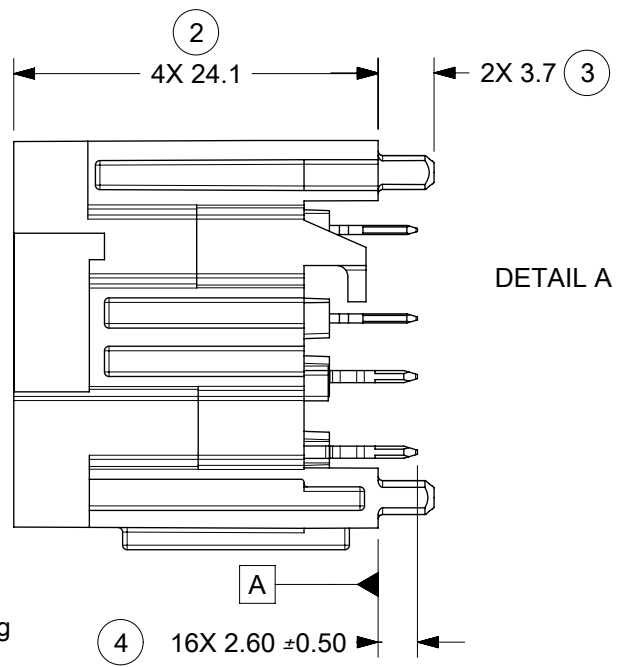
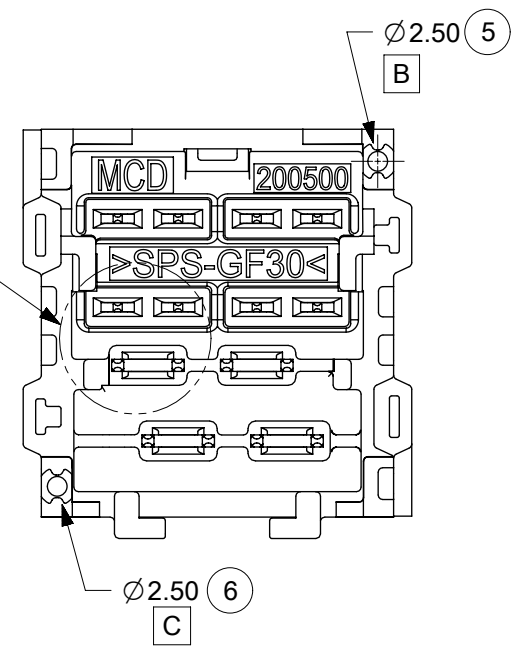


KEY 1
PART NO. 2005010121

SEE NOTE 3g

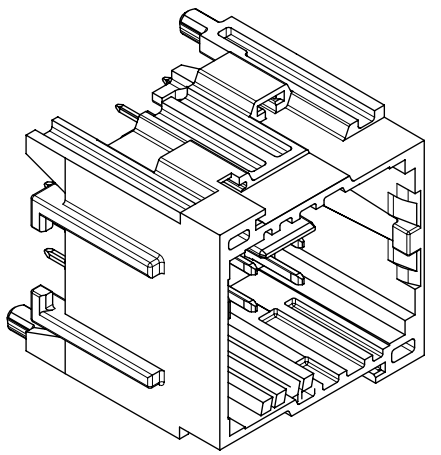


DETAIL A



| PART NUMBER | KEY | COLOR | TERMINAL QUANTITIES | |
|-------------|-----|--------|---------------------|-------|
| | | | 1.2mm | 2.8mm |
| 2005010121 | 1 | BLACK | 8 | 4 |
| 2005010122 | 2 | GREEN | | |
| 2005010123 | 3 | PURPLE | | |
| 2005010124 | 4 | GRAY | | |

FOUR (4) KEYS AVAILABLE
SEE INTERFACE DRAWING
SD-160026-002 FOR DEFINITION

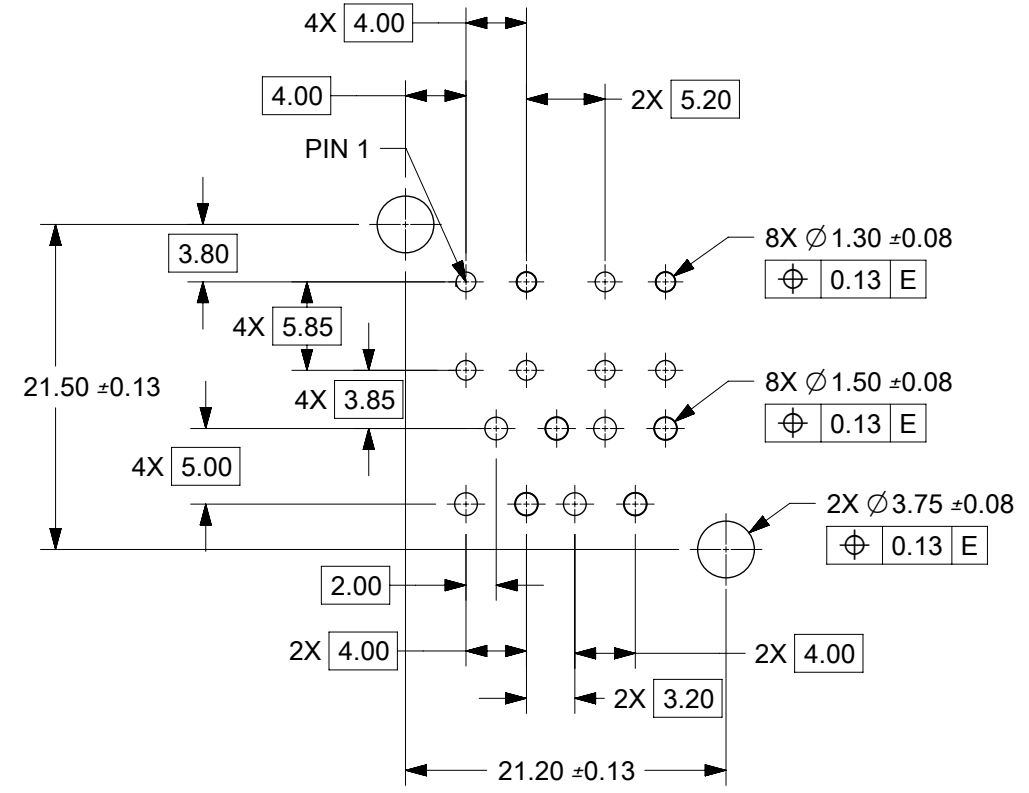
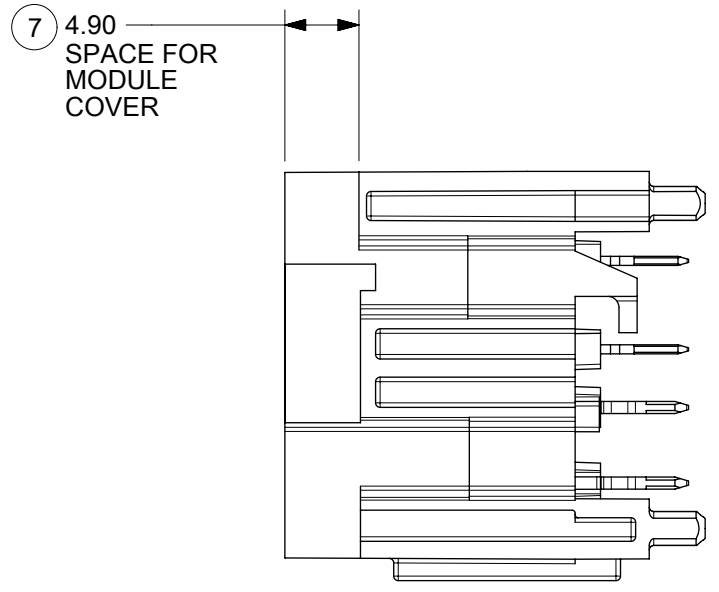
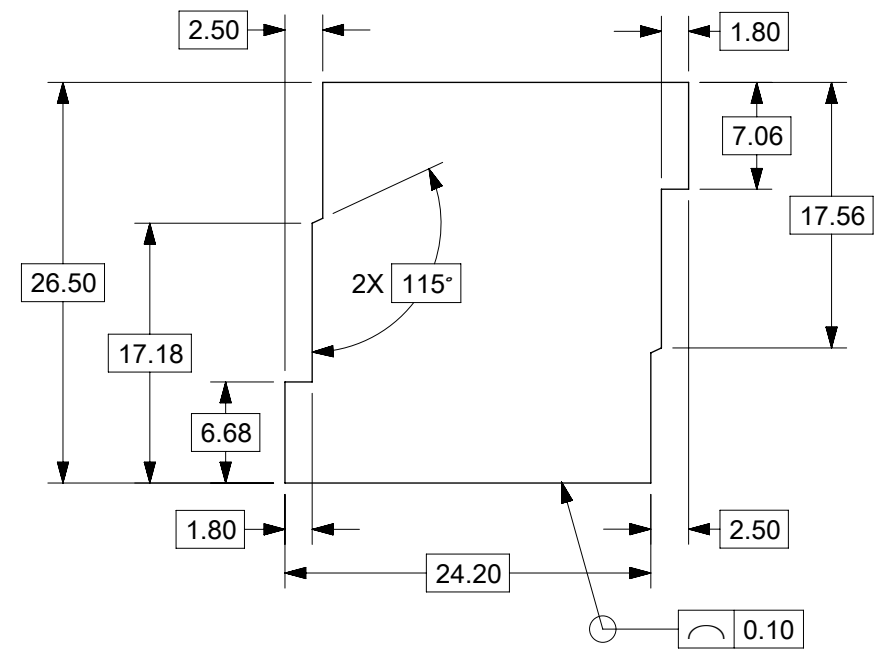


| |
|-------------------------------|
| INSPECTION BALLOON NUMBER LOG |
| PER DRAWING REVISION: C1 |
| LAST BALLOON NUMBER: 11B |
| ADDED BALLOON NUMBER: NONE |
| DELETED BALLOON NUMBER: NONE |

- NOTES: VALID UNLESS OTHERWISE SPECIFIED
- GENERAL:
 - APPLICATION SPECIFICATION 2005060000-AS
 - PRODUCT SPECIFICATION 2005060001-PS
CLASSIFICATIONS T1V1S1 TO GMW 3191 2012
DEGREE OF PROTECTION IP20 TO ISO 20653 WITH MOLEX MATING CONNECTOR
 - PACKAGING SPECIFICATION PER MOLEX DRAWING
 - DESIGN - MATERIALS:
 - HOUSING: SPS 30% GF
 - BLADE TERMINALS:
 - 0.5MM BLADES
BASE MATERIAL: COPPER ALLOY
CONDUCTIVITY ≥ 28% IACS @ 20°C
UNDERPLATE: OVERALL NICKEL
OVERPLATE: OVERALL TIN
 - 1.2MM BLADES
BASE MATERIAL: COPPER ALLOY
CONDUCTIVITY ≥ 28% IACS @ 20°C
UNDERPLATE: OVERALL NICKEL
OVERPLATE: OVERALL TIN
 - 2.8MM BLADES
BASE MATERIAL: COPPER ALLOY
CONDUCTIVITY ≥ 40% IACS @ 20°C
UNDERPLATE: OVERALL NICKEL
OVERPLATE: OVERALL TIN
 - DESIGN - GEOMETRY:
 - ALL GRAPHIC DATA IS BASIC (NO TOLERANCE) AND MUST BE TAKEN FROM THE DATA FILE AT ITS LATEST REVISION.
 - PRODUCT DESIGN MODEL NUMBER 2005010120
 - GEOMETRIC DIMENSIONS AND TOLERANCES PER ASME Y14.5-2009
 - EDGES AND UNDIMENSIONED DETAILS PER ISO13715
 - CORNERS SHOWN AS SHARP TO BE R 0.4 MAX.
 - LETTERING SHALL BE MAX POSSIBLE FOR READABILITY.
THIS INCLUDES RECYCLING CODE, CAVITY ID, VENDOR IDENTIFICATION, AND CUSTOMER MATERIAL NUMBER.
 - FOR BAY/POCKET DEFINITION SEE MOLEX INTERFACE DRAWING SD-160026-002
 - MATING HARNESS CONNECTORS MOLEX PN:
1600260001 (KEY 1)
1600260002 (KEY 2)
1600260003 (KEY 3)
1600260004 (KEY 4)
 - DESIGN - MANUFACTURING:
 - VISUAL DEFECTS SHALL MEET COSMETIC STANDARD PS-45499-002 (CLASS B)
 - REFLOW SOLDERABILITY PER SMES-152

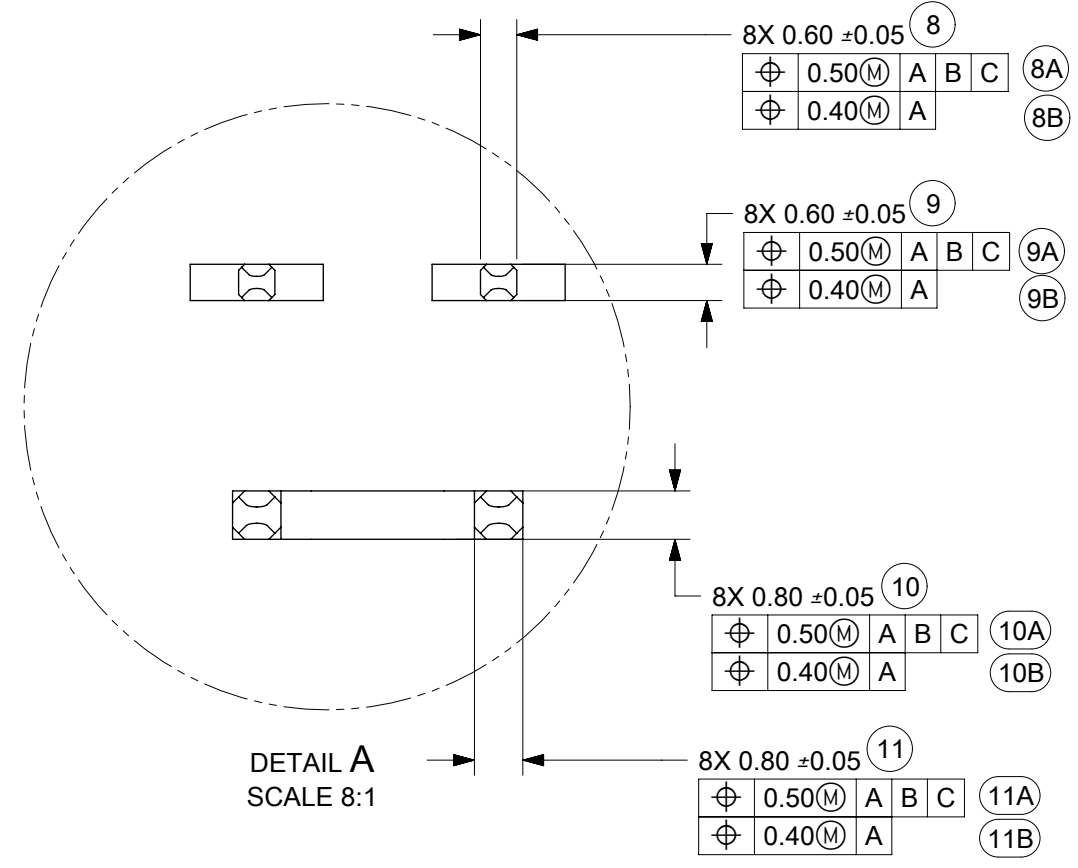
| | | | | | | |
|--|---|-------|---|--|----------------------------|--|
| FUNCTIONAL SYMBOLS | THIS DRAWING CONTAINS INFORMATION THAT IS PROPRIETARY TO MOLEX ELECTRONIC TECHNOLOGIES, LLC AND SHOULD NOT BE USED WITHOUT WRITTEN PERMISSION | | CURRENT REV DESC: SEE REVISION SHEET | | molex | |
| ∇ = 0 ∇ = 0 ∇ = 0 | DIMENSION UNITS | SCALE | EC NO: 639277 DRWN: YPENG47 CHK'D: JRUTTER APPR: JCONDON | | | |
| DIVISIONAL SYMBOLS | GENERAL TOLERANCES (UNLESS SPECIFIED) | | INITIAL REVISION: | | PRODUCT CUSTOMER DRAWING | |
| | ANGULAR TOL ± ° | | 2020/02/17 | | DOCUMENT NUMBER | |
| | 4 PLACES ± 0.0 | | 2020/06/22 | | DOC TYPE DOC PART REVISION | |
| | 3 PLACES ± 0.0 | | 2020/06/23 | | 2005011120SD PSD 000 C1 | |
| | 2 PLACES ± 0.13 | | 2015/06/26 | | MATERIAL NUMBER | |
| | 1 PLACE ± 0.25 | | 2016/08/22 | | CUSTOMER | |
| | 0 PLACES ± 0.0 | | THIRD ANGLE PROJECTION | | SHEET NUMBER | |
| | DRAFT WHERE APPLICABLE MUST REMAIN WITHIN DIMENSIONS | | DRAWING SERIES | | 1 OF 2 | |
| | | | B-SIZE 200501 | | | |

RECOMMENDED MODULE OPENING



PCB LAYOUT FOR REFERENCE

FOR SINGLE-BAY HEADER ONLY
FOR MULTIPLE-BAY STACKED HEADER SEE DRAWING 2005050000



| | |
|----------|--|
| C1 | ADDED PCB HOLE DIMENSIONAL & POSITIONAL TOLERANCE 10-JUNE-2020 YPENG47 ECN:639277 |
| REVISION | DESCRIPTION |

| | | | | | | |
|--|---|-------|--|--|--------------------------------|--|
| FUNCTIONAL SYMBOLS | THIS DRAWING CONTAINS INFORMATION THAT IS PROPRIETARY TO MOLEX ELECTRONIC TECHNOLOGIES, LLC AND SHOULD NOT BE USED WITHOUT WRITTEN PERMISSION | | CURRENT REV DESC: SEE REVISION SHEET | | molex | |
| $\sqrt{A} = 0$ $\sqrt{E} = 0$ $\sqrt{V} = 0$ | DIMENSION UNITS | SCALE | CURRENT REV DESC: SEE REVISION SHEET | | | |
| | mm | 1:1 | EC NO: 639277 | | STAK50H MOD HDR 12 VERT SOLDER | |
| | GENERAL TOLERANCES (UNLESS SPECIFIED) | | DRWN: YPENG47 2020/02/17 | | | |
| | ANGULAR TOL ± ° | | CHK'D: JRUTTER 2020/06/22 | | PRODUCT CUSTOMER DRAWING | |
| | 4 PLACES ± 0.0 | | APPR: JCONDON 2020/06/23 | | | |
| DIVISIONAL SYMBOLS | 3 PLACES ± 0.0 | | INITIAL REVISION: | | DOCUMENT NUMBER | |
| | 2 PLACES ± 0.13 | | DRWN: JRUTTER 2015/06/26 | | 2005011120SD | |
| | 1 PLACE ± 0.25 | | APPR: RBAUMAN 2016/08/22 | | PSD 000 C1 | |
| | 0 PLACES ± 0.0 | | DRAFT WHERE APPLICABLE MUST REMAIN WITHIN DIMENSIONS | | SHEET NUMBER | |
| | THIRD ANGLE PROJECTION | | DRAWING | | MATERIAL NUMBER | |
| | B-SIZE | | SERIES | | CUSTOMER | |
| | 200501 | | 200501 | | 2 OF 2 | |