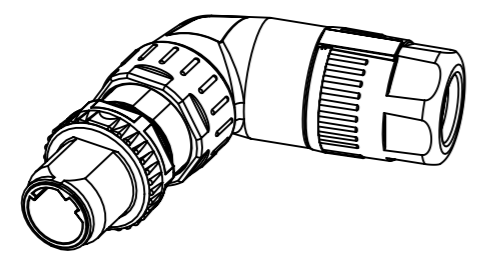
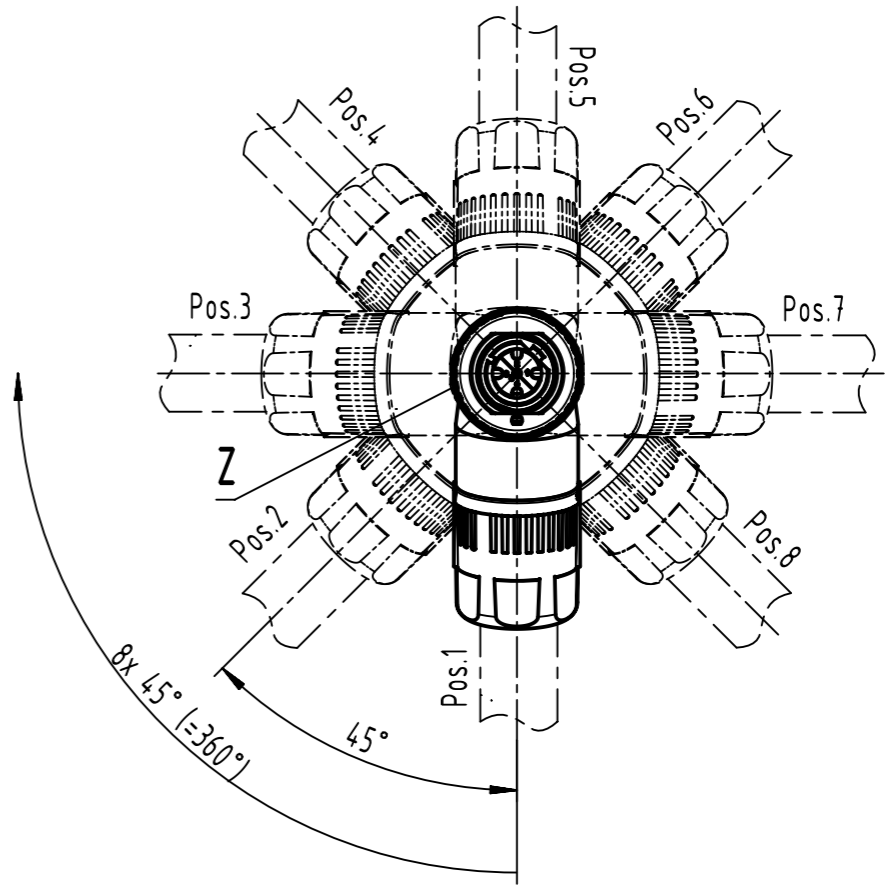
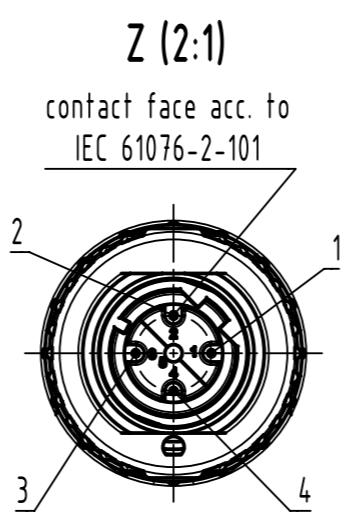


assembly aid enclosed



order contacts separately

cable Ø	wire gauge	contact part-no.
5,7-8,8mm	AWG 26-22	09 67 000 5576
	AWG 24-20	09 67 000 8576
	AWG 22-18	09 67 000 3576

	All rights reserved	Created by BALSAN	Inspected by PRIESTER	Standardisation 302077	Date 2021-04-05	State Final Release	Ref. Sub.
	Department EL PD	Title M12 SD D-cod 4-pol angled male				Doc-Key / ECM-Nr. 100591011/UGD/002/H 500000185020	
HARTING D-32339 Espelkamp		Type TB	Number 21038813405		Rev. H	Page 1/1	