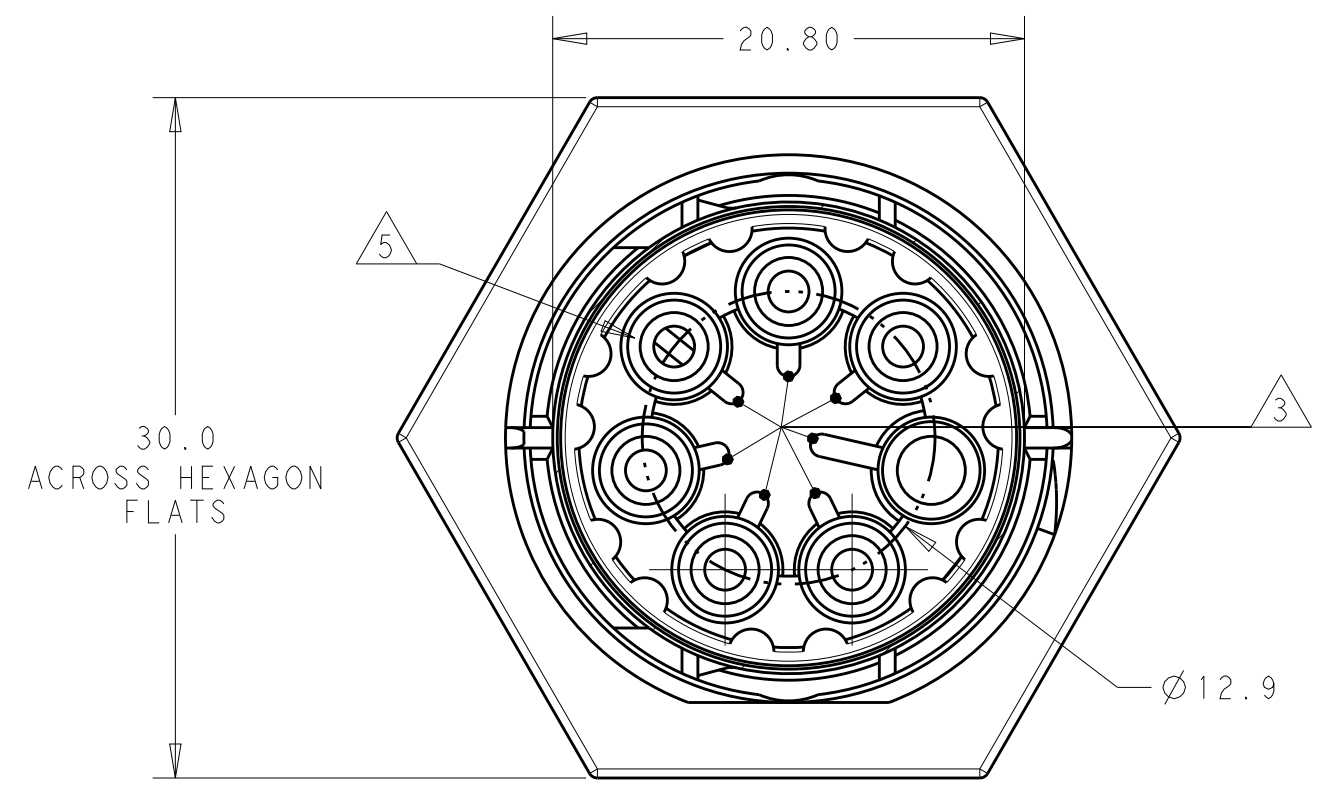


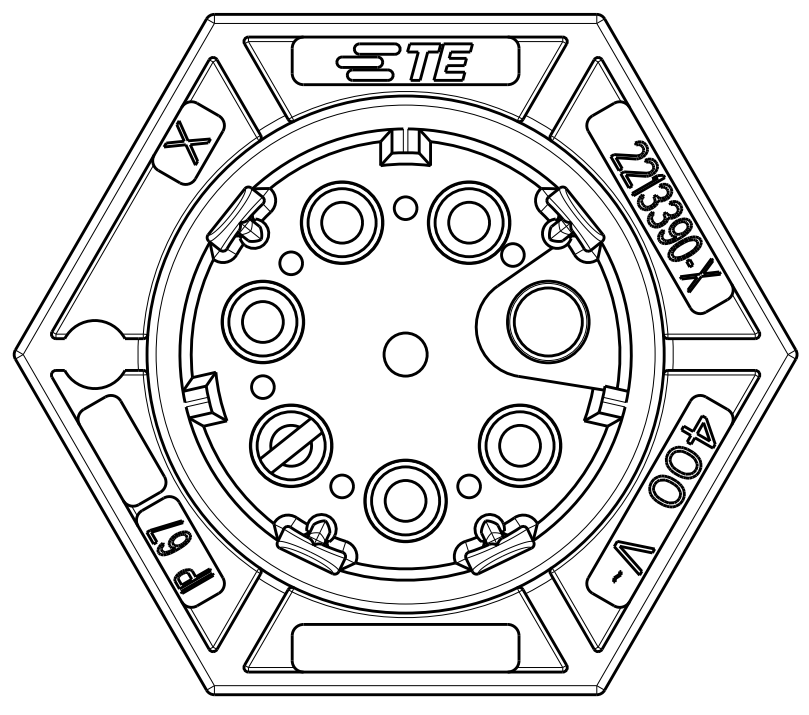
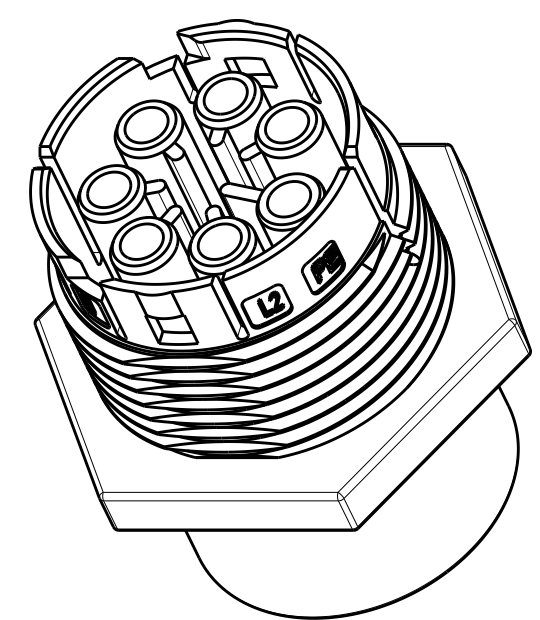
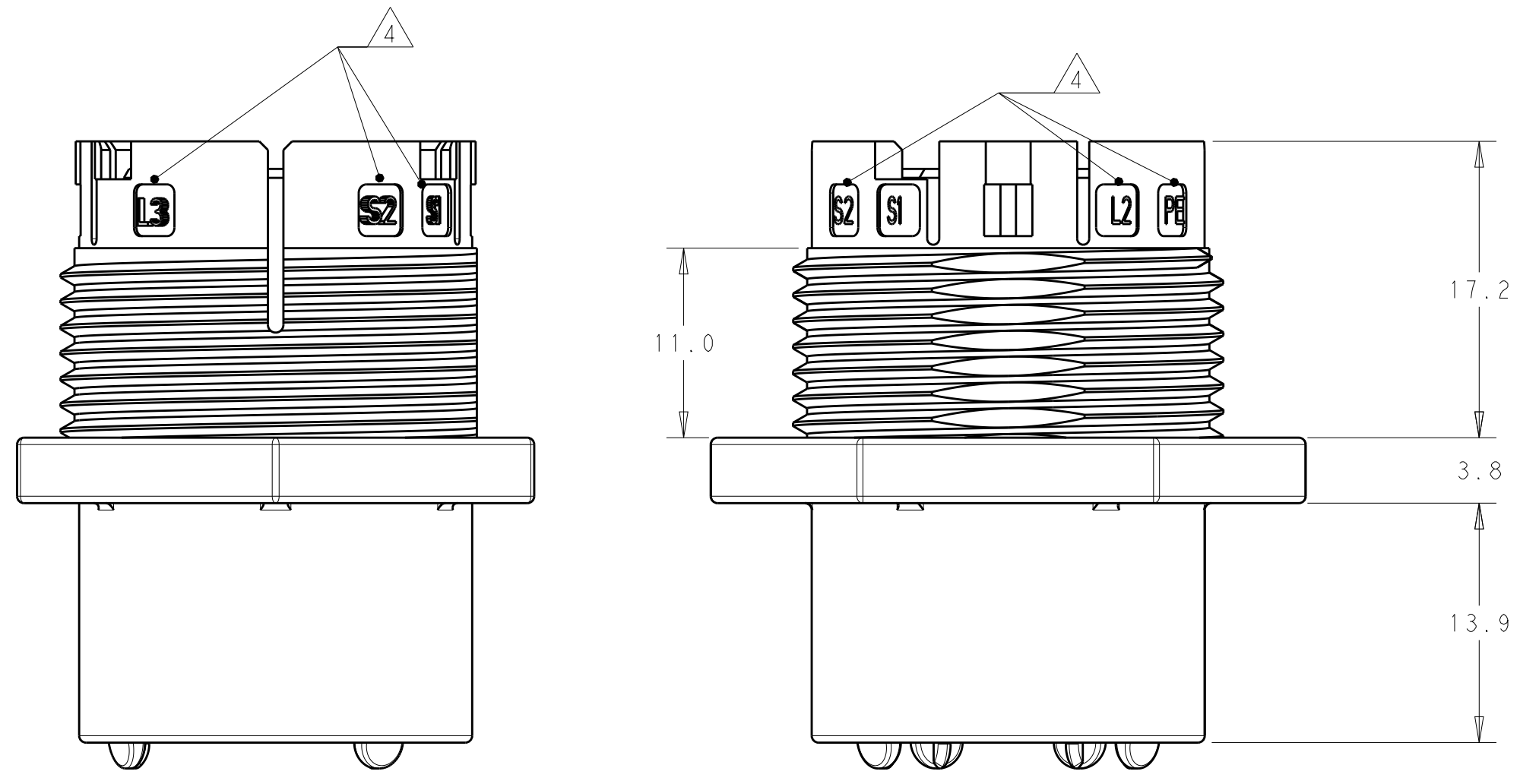
THIS DRAWING IS UNPUBLISHED. RELEASED FOR PUBLICATION 20
 © COPYRIGHT 20 BY - ALL RIGHTS RESERVED.

| REVISIONS | | | | | |
|-----------|-----|------------------------------|-----------|-----|------|
| P | LTR | DESCRIPTION | DATE | DWN | APVD |
| A | | REVISED AS PER ECR-15-005925 | 21APR2015 | RS | JL |
| B | | REVISED AS PER ECR-16-000859 | 08MAR2016 | RS | JL |
| B1 | | ECR-18-006945 | 03JUL2018 | SR | MZ |



NOTES:

1. MATERIAL: GLASS FILLED PBT, COLOR: BLACK
2. MUST COMPLY WITH DIRECTIVE 2002/95/EC (ROHS)
3. ALL POLARIZATION KEYS SHOWN FOR REF ONLY.
4. CIRCUIT I.D.
5. CIRCUIT "L3" IS BLOCKED TO PREVENT CONTACT INSTALLATION.
6. THIS PRODUCT HAS NOT COMPLETED VALIDATION TESTING



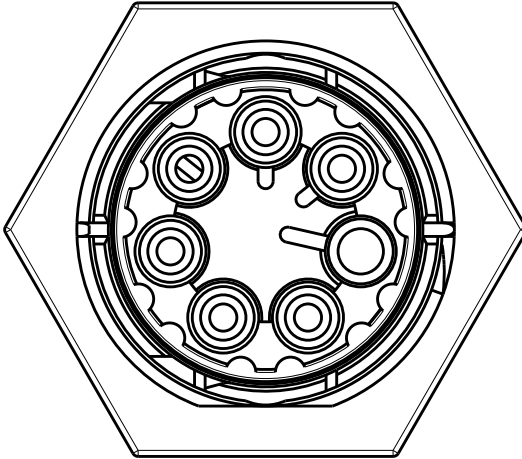
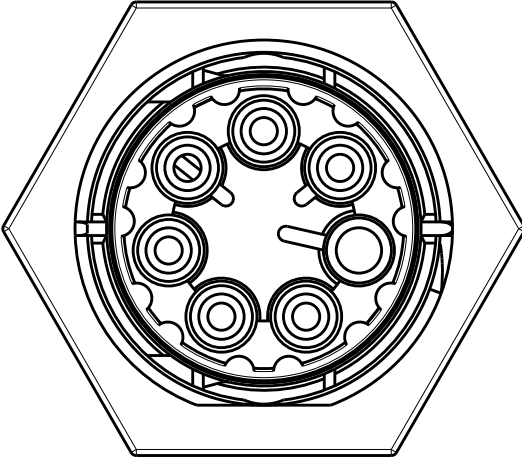
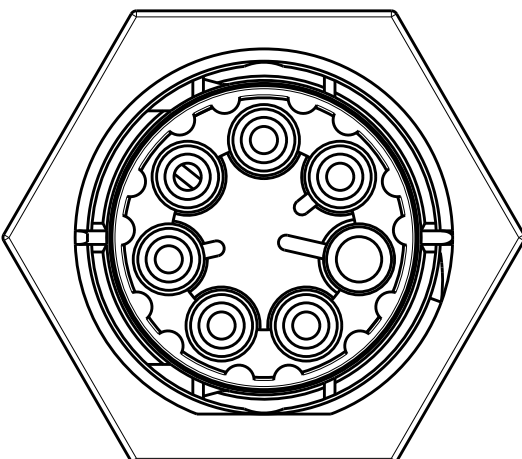
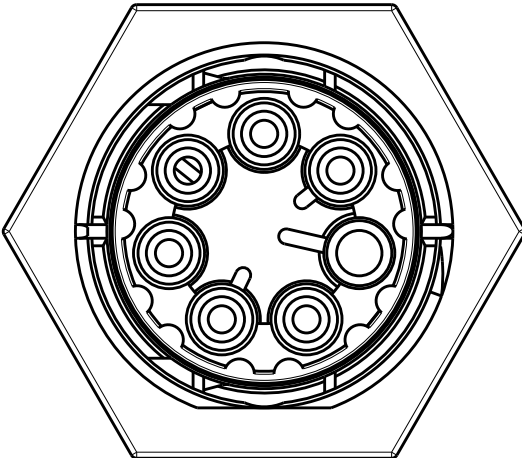
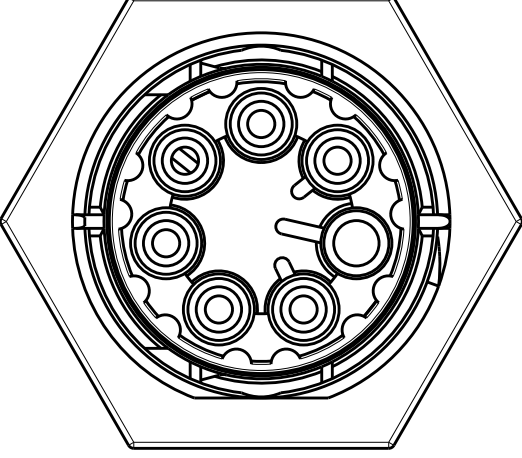
| | | | |
|----------|---------------------|---------------------------------------|-------------|
| OBSOLETE | E | PANEL MT SKT. SEALED NECTOR M, 6 POLE | 2213262-5 |
| | D | PANEL MT SKT. SEALED NECTOR M, 6 POLE | 2213262-4 |
| | C | PANEL MT SKT. SEALED NECTOR M, 6 POLE | 2213262-3 |
| | B | PANEL MT SKT. SEALED NECTOR M, 6 POLE | 2213262-2 |
| | A | PANEL MT SKT. SEALED NECTOR M, 6 POLE | 2213262-1 |
| | POLARIZATION KEYING | | DESCRIPTION |

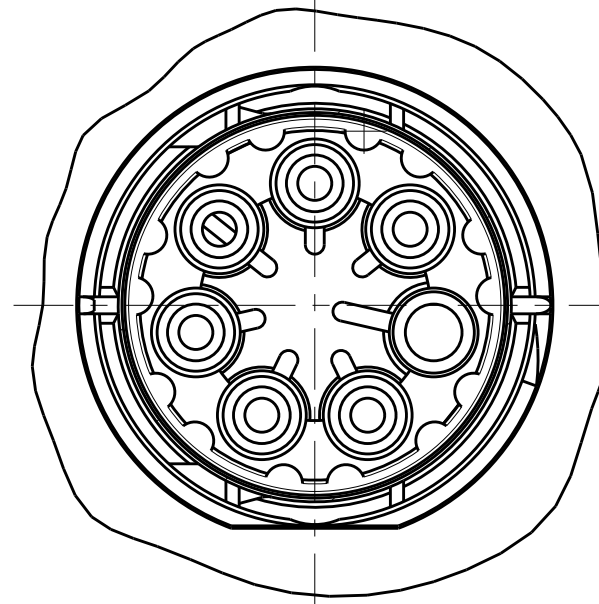
| | | | | |
|--|------------|----------------------------|---|-----------------|
| THIS DRAWING IS A CONTROLLED DOCUMENT. | | DWN J. SHAFFER 13NOV2013 | TE Connectivity | |
| DIMENSIONS: mm | | CHK M. LUKSIC 13NOV2013 | | |
| TOLERANCES UNLESS OTHERWISE SPECIFIED: | | APVD M. LUKSIC 13NOV2013 | NAME PANEL MOUNT, SOCKET; SEALED NECTOR M; 6 POLE | |
| 0 PLC ± | 1 PLC ±0.2 | PRODUCT SPEC 108-133014 | SIZE A2 | CAGE CODE - |
| 2 PLC ±0.13 | 3 PLC ± | APPLICATION SPEC 114-32111 | DRAWING NO G-2213262 | RESTRICTED TO - |
| 4 PLC ± | ANGLES ± | WEIGHT - | SCALE 2:1 | SHEET 1 OF 2 |
| MATERIAL NOTE 1 | FINISH - | Customer Drawing | REV B1 | |

THIS DRAWING IS UNPUBLISHED. RELEASED FOR PUBLICATION 20
 © COPYRIGHT 20 BY - ALL RIGHTS RESERVED.

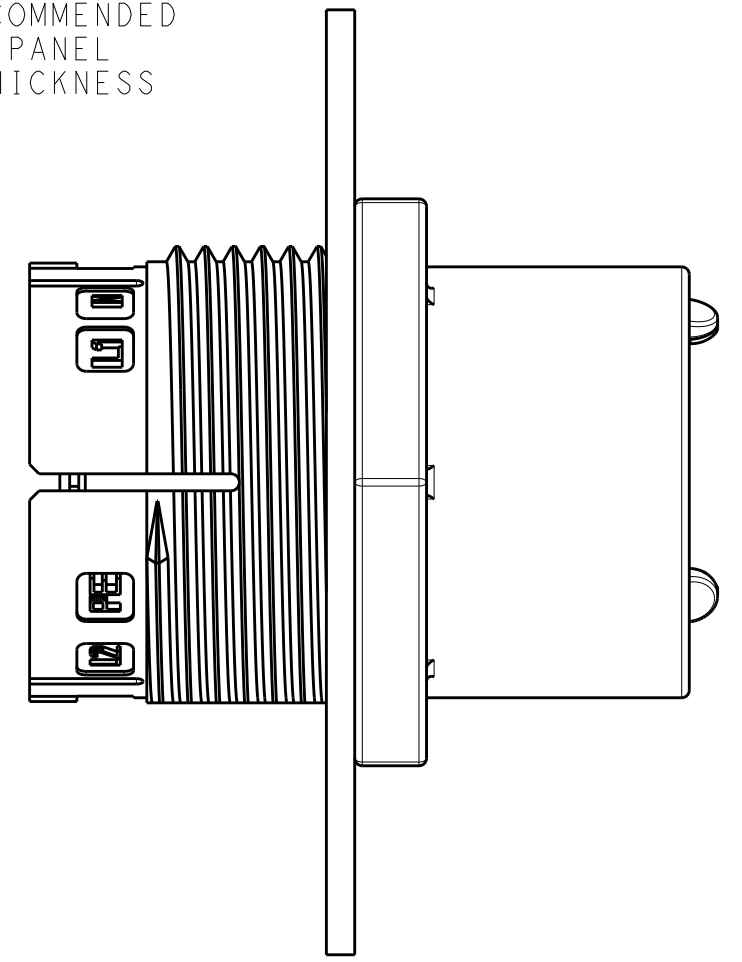
| REVISIONS | | | | | |
|-----------|-----|-------------|------|-----|------|
| P | LTR | DESCRIPTION | DATE | DWN | APVD |
| - | - | SEE SHEET 1 | - | - | - |
| | | | | | |
| | | | | | |

POLARIZATION TYPES

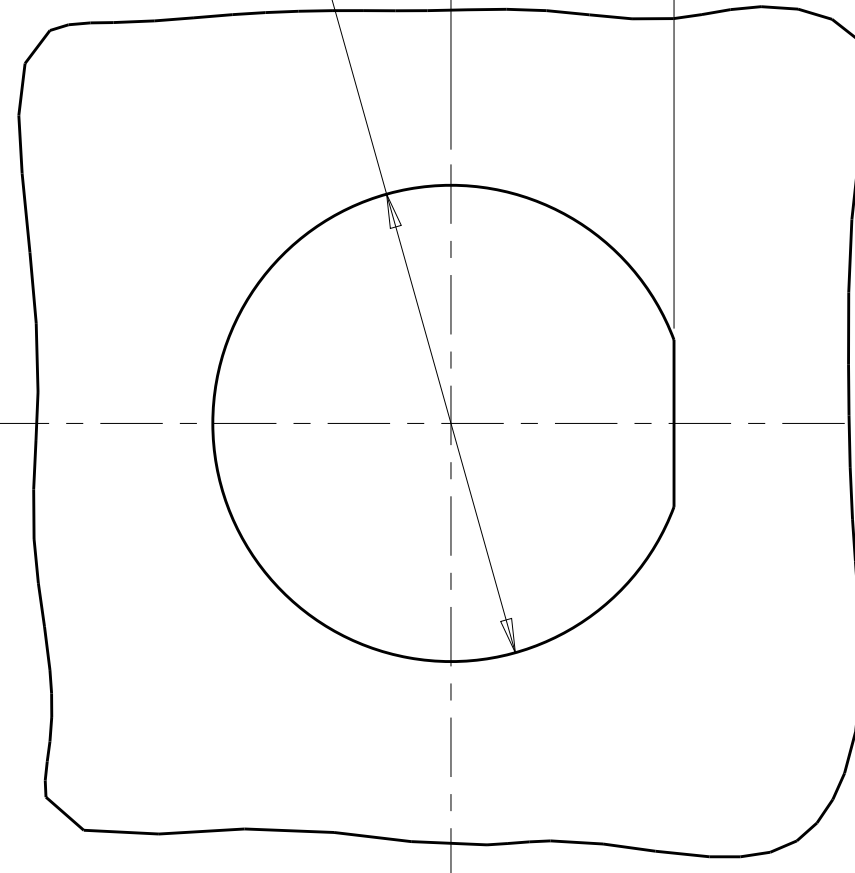
| POLARIZATION TYPE "A" | POLARIZATION TYPE "B" | POLARIZATION TYPE "C" |
|--|--|--|
|  |  |  |
| PN: 2213262-1 | PN: 2213262-2 | PN: 2213262-3 |
| POLARIZATION TYPE "D" | POLARIZATION TYPE "E" | |
|  |  | |
| PN: 2213262-4 | PN: 2213262-5 | |



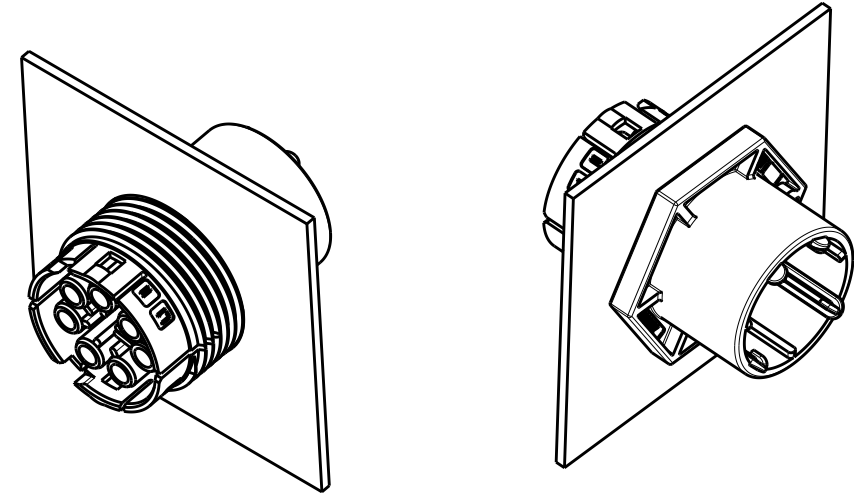
1.5 - 4.0
 RECOMMENDED
 PANEL
 THICKNESS




Ø25.20 11.80



RECOMMENDED
 PANEL CUTOUT
 SCALE 5:2



3D VIEWS
 FOR REFERENCE ONLY

| | | | | | | | |
|--|-------|--------------------------------|---|-------|-----------|------------|---|
| THIS DRAWING IS A CONTROLLED DOCUMENT. | | DWN J. SHAFFER 13NOV2013 |  TE Connectivity | | | | |
| DIMENSIONS: mm | | CHK M. LUKSIC 13NOV2013 | | | | NAME | PANEL MOUNT, SOCKET; SEALED NECTOR M; 6 POLE |
| TOLERANCES UNLESS OTHERWISE SPECIFIED: | | APVD M. LUKSIC 13NOV2013 | PRODUCT SPEC | SIZE | CAGE CODE | DRAWING NO | RESTRICTED TO |
| 0 PLC | ± | 108-133014 | 114-32111 | A2 | - | G-2213262 | - |
| 1 PLC | ±0.2 | APPLICATION SPEC | WEIGHT | SCALE | SHEET | OF | REV |
| 2 PLC | ±0.13 | Customer Drawing | - | 2:1 | 2 | 2 | B1 |
| 3 PLC | ± | | | | | | |
| 4 PLC | ± | | | | | | |
| ANGLES | ± | | | | | | |
| FINISH | - | | | | | | |
| NOTE 1 | - | | | | | | |