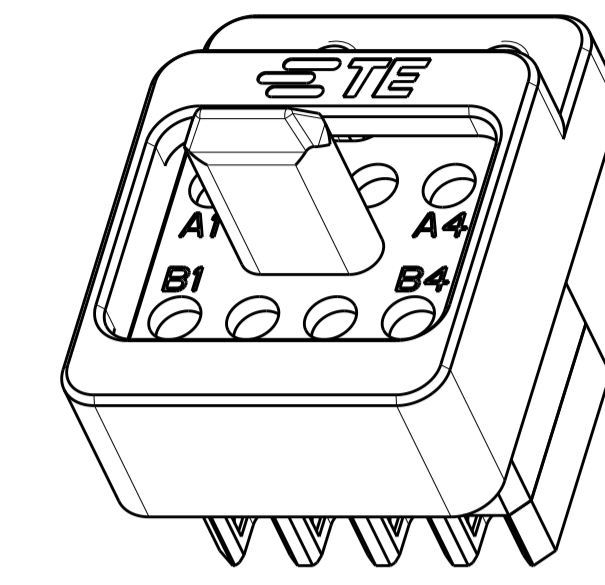
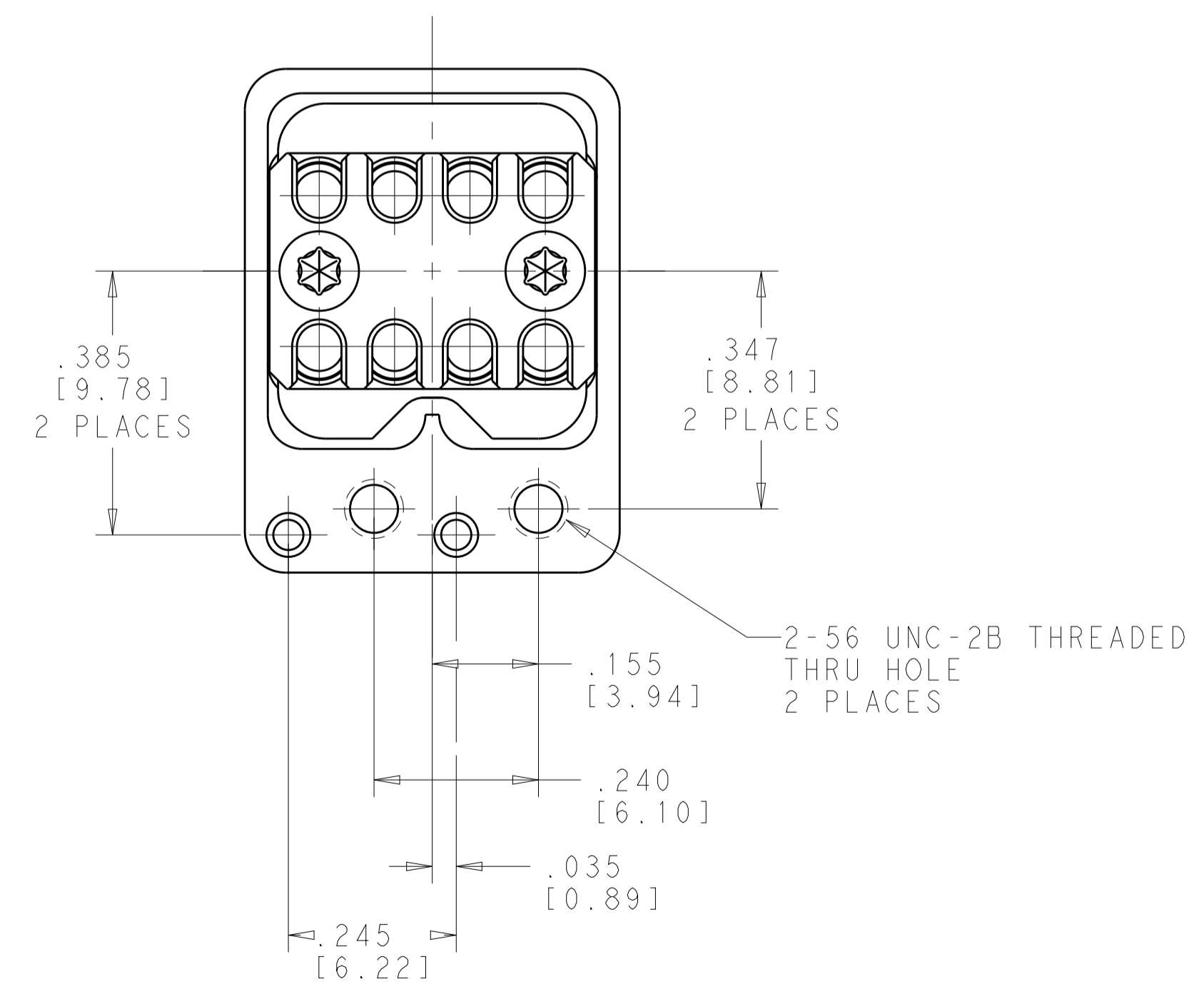
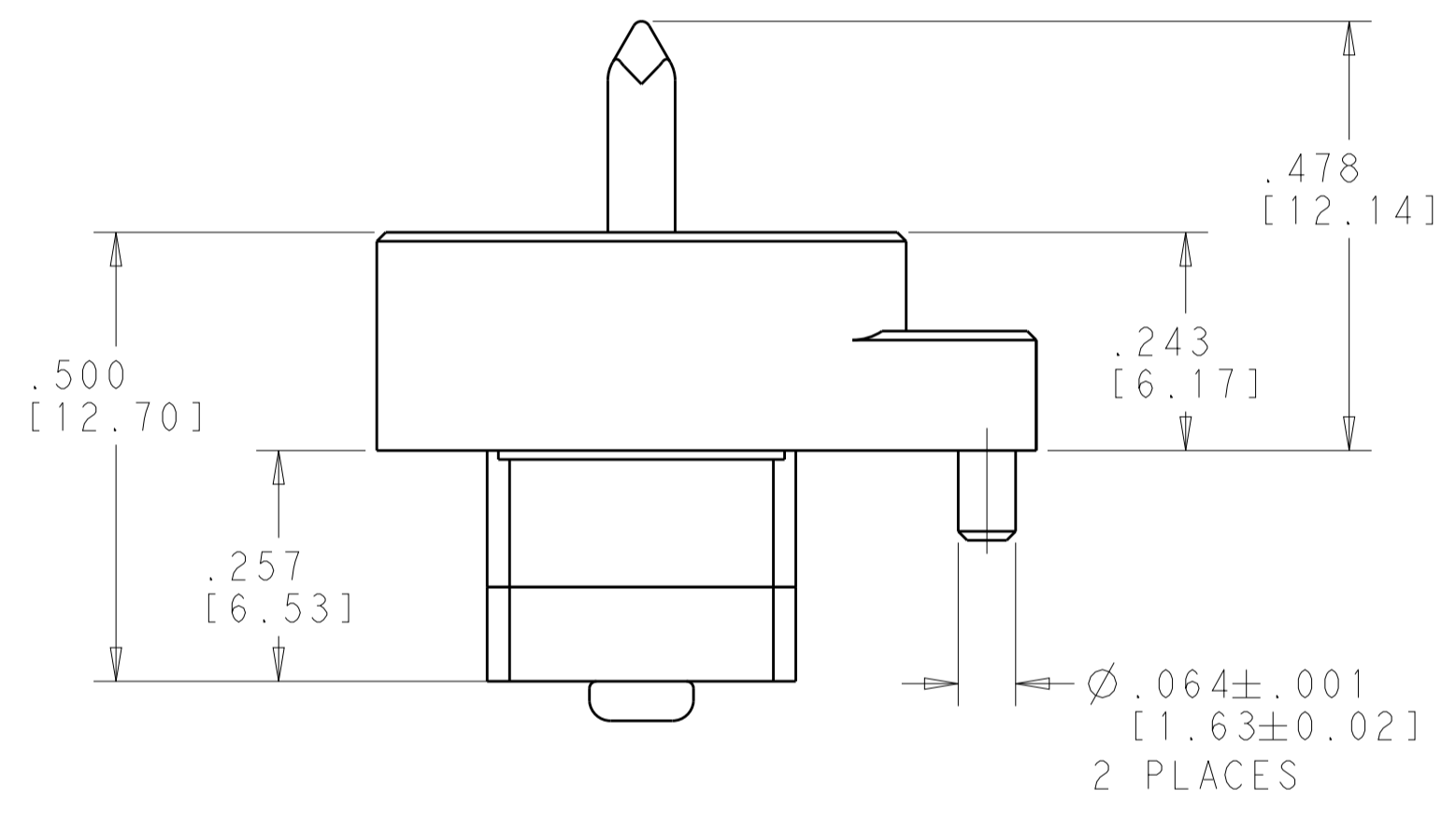
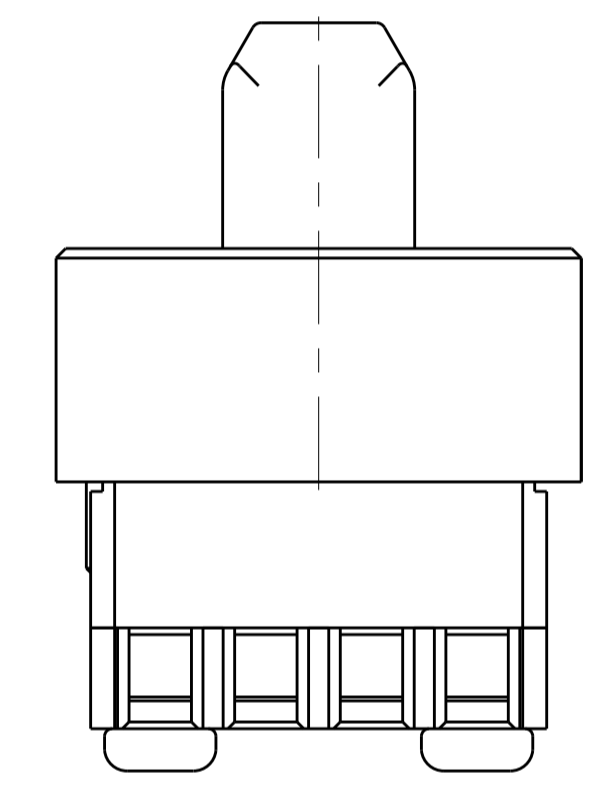
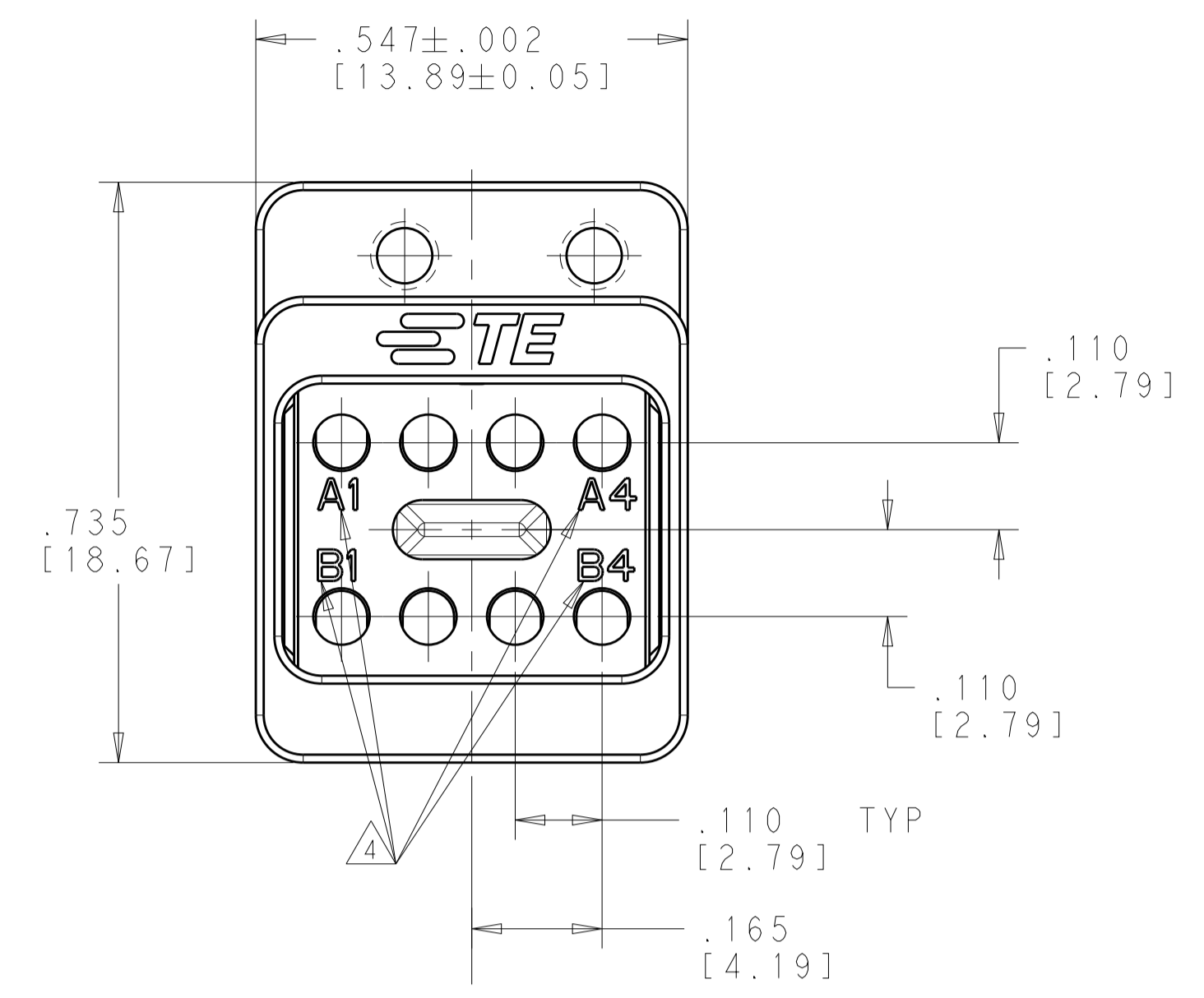
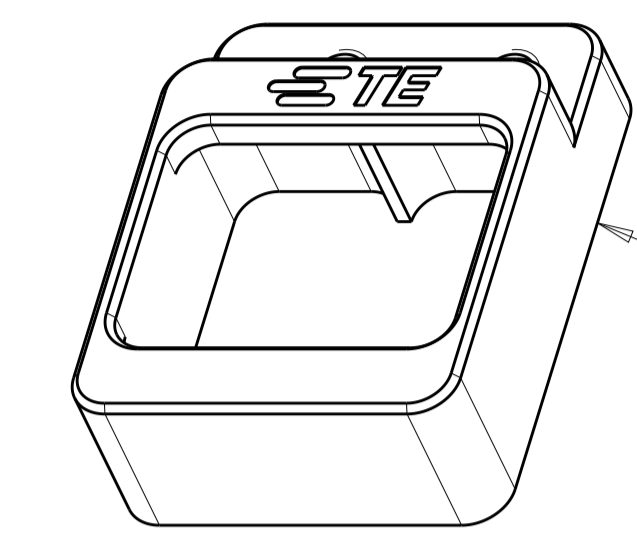


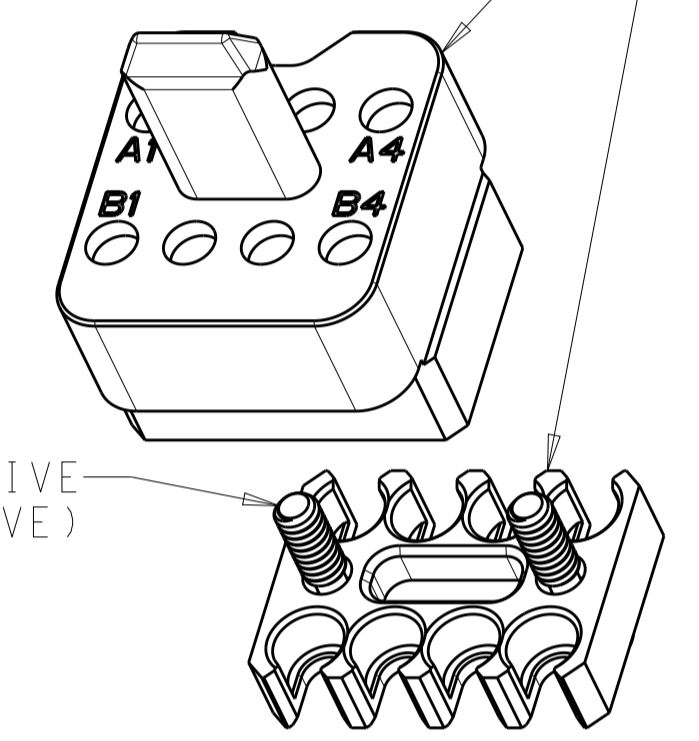
REVISIONS				
P.	LTN	DESCRIPTION	DATE	APP'D
C		REV PER ECO-19-005475	4-9-19	CT FB



SCALE 4:1



MODULE BODIES



0-80 UNF CAPTIVE SCREW (TORX DRIVE)

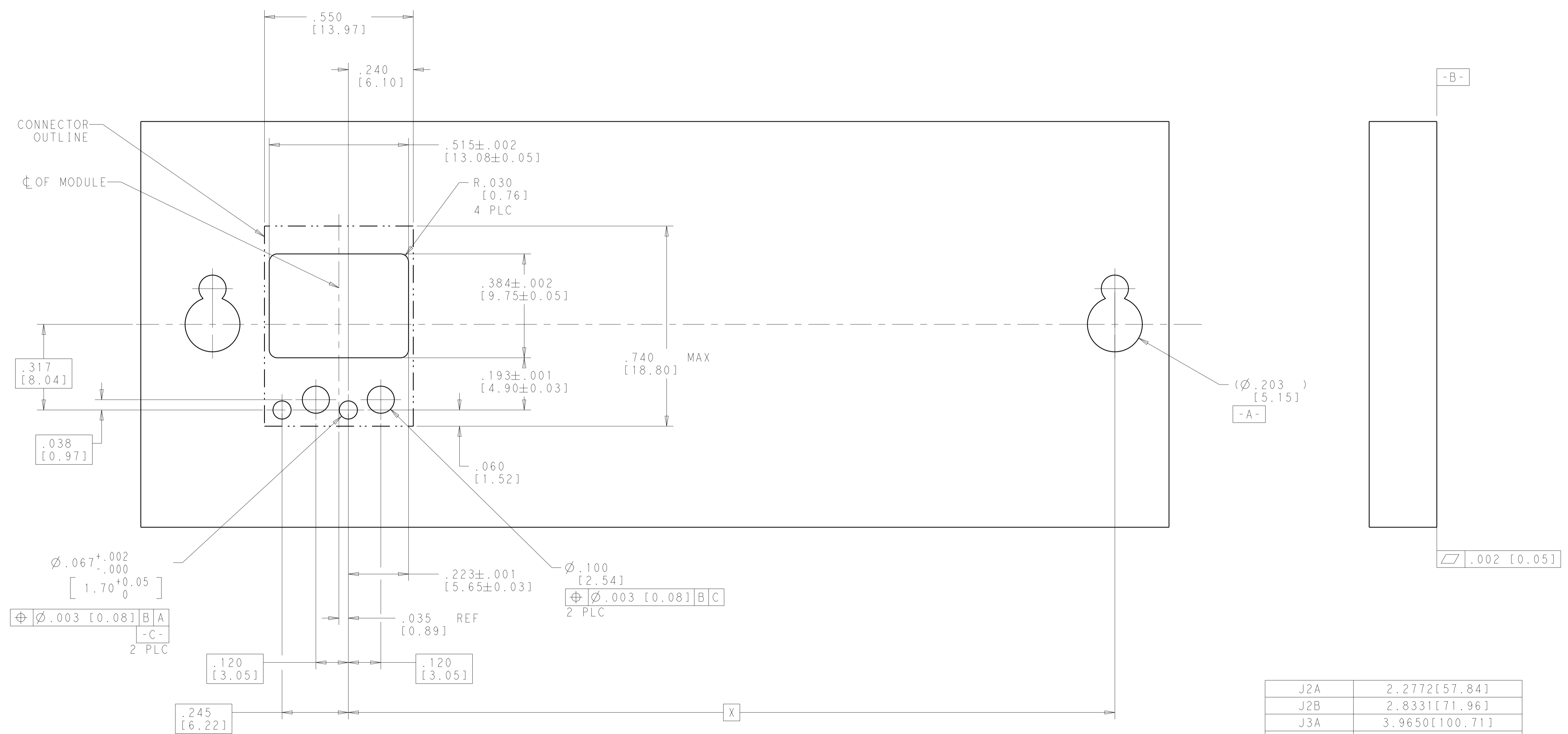
SCALE 4:1

- ① MATERIAL:
MODULE BODIES - SEE TABLE
GUIDE PIN - STAINLESS STEEL, PER UNS S30300
SCREWS - 300 SERIES STAINLESS STEEL
- ② FINISH:
MODULE BODIES - SEE TABLE
SCREWS AND GUIDE PIN - PASSIVATED
- 3. SHIPPED IN KIT FORM.
- ④ CIRCUIT IDENTIFICATION MARKING

CLEAR CHROMATE CONVERSION COATING	ALUMINUM	2828434-2
PASSIVATED	STAINLESS STEEL PER UNS S30300	2828434-1
MODULE FINISH ②	MODULE MATERIAL ①	PART NUMBER

THIS DRAWING IS A CONTROLLED DOCUMENT.		OWN: P. MILLER 23APR2015	TE Connectivity
DIMENSIONS: INCHES/mm		CHK: C. YI 14AUG2015	
TOLERANCES UNLESS OTHERWISE SPECIFIED:		APP'D: K. DOWNHOWER 11APR2017	NAME: 8 POSITION NanoRF MODULE P.C.B. MOUNT - BACKPLANE VITA
0 PLC ± 1 PLC ± 2 PLC ± 3 PLC ±.005(0.13) 4 PLC ± ANGLES ±		PRODUCT SPEC: 108-163006	
MATERIAL ①		APPLICATION SPEC: 408-163016	RESTRICTED TO
FINISH ②		WEIGHT: -	SCALE: 5:1
CUSTOMER DRAWING		SIZE: A	SHEET 1 OF 2
		CAGE CODE: 00779	REV: C
		DRAWING NO: 2828434	

REVISIONS				
P.	LTN	DESCRIPTION	DATE	APVD
-		SEE SHEET 1	-	-



TYP PCB LAYOUT - VIEWED FROM BACKSIDE OF BACKPLANE

J2A	2.2772 [57.84]
J2B	2.8331 [71.96]
J3A	3.9650 [100.71]
J3B	4.5209 [114.83]
J4A	5.0988 [129.51]
J4B	5.6547 [143.63]
J5A	6.2327 [158.31]
J5B	6.7886 [172.43]
J6A	7.3665 [187.11]
J6B	7.9224 [201.23]
POSITION	DIM "X"

THIS DRAWING IS A CONTROLLED DOCUMENT.

DWN: H. MILLER 23APR2015
CHK: C. YI 14AUG2015

DIMENSIONS: INCHES/mm

TOLERANCES UNLESS OTHERWISE SPECIFIED:

0 PLC	±
1 PLC	±
2 PLC	±
3 PLC	±.005 [0.13]
4 PLC	±
ANGLES	±
FINISH	±

MATERIAL: CUSTOMER DRAWING

APVD: K. DOWNHOWER 11APR2017

PRODUCT SPEC: 108-163006

APPLICATION SPEC: 408-163016

WEIGHT: -

SIZE: 408-163016

CAGE CODE: -

DRAWING NO: A100779

SCALE: 8:1

SHEET: 2 OF 2

REV: C

TE Connectivity

8 POSITION NanoRF MODULE
P.C.B. MOUNT - BACKPLANE
VITA

RESTRICTED TO: -