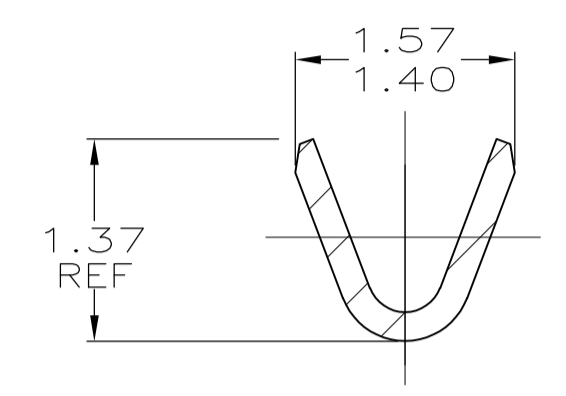
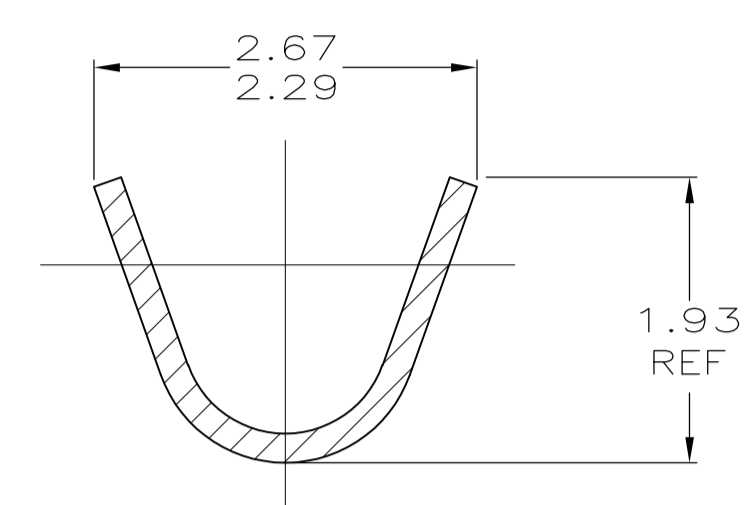


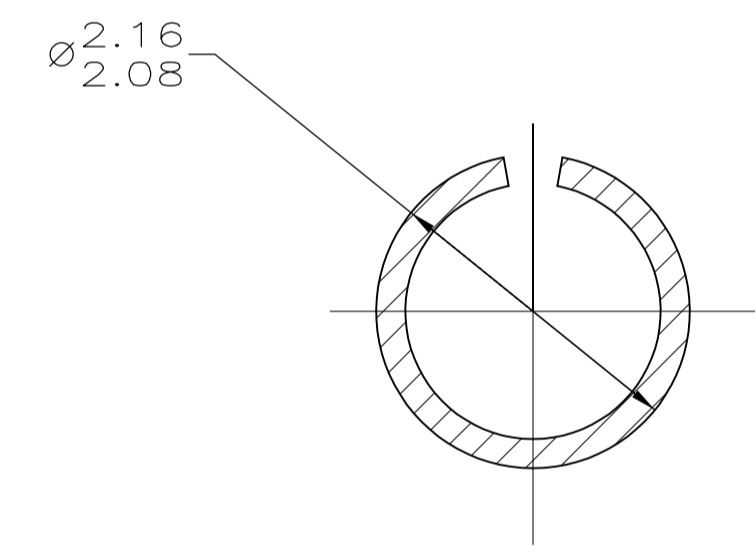
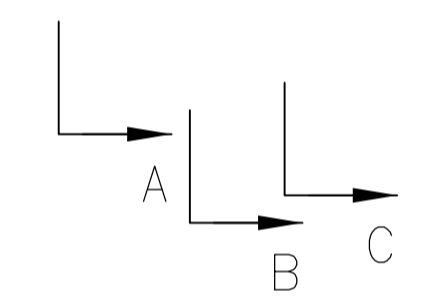
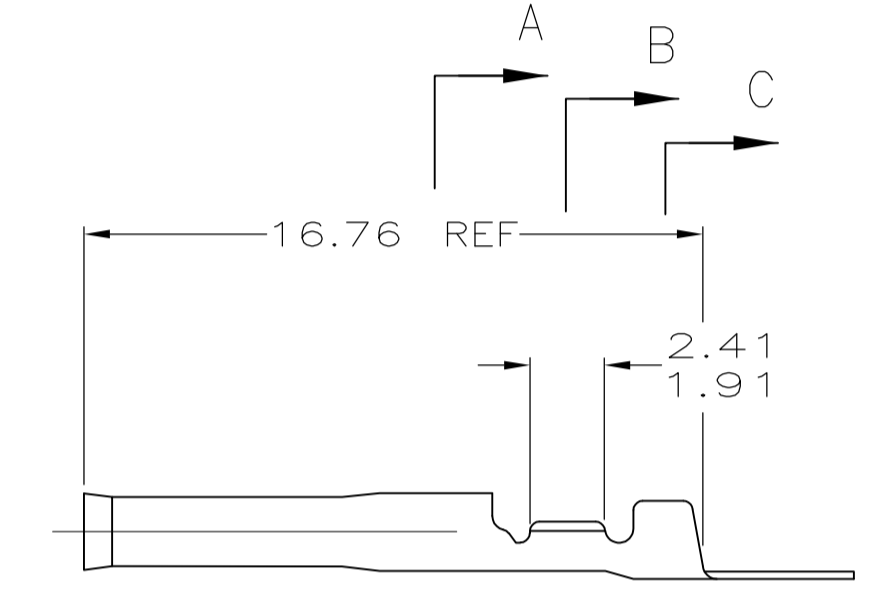
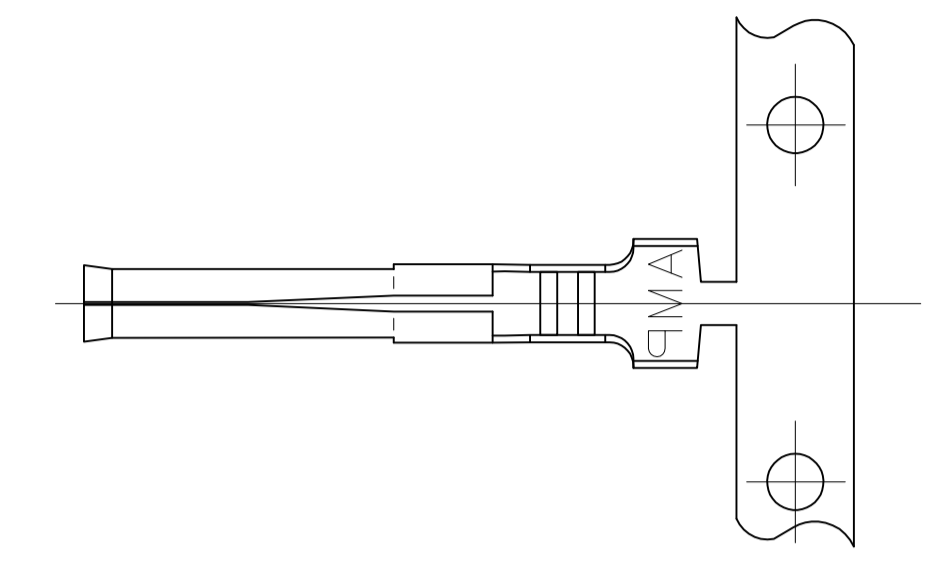
REVISIONS					
P	LR	DESCRIPTION	DATE	DWN	APVD
A		ECR-16-015436	NOV11	N.L.	D.Z



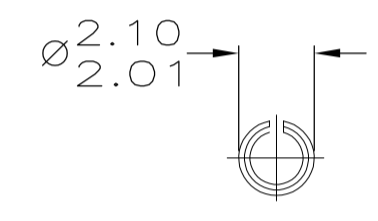
SECTION B-B
SCALE 20:1



SECTION C-C
SCALE 20:1



SECTION A-A
SCALE 20:1



MM	IN	MM	IN
2.06	.081	-	-
2.01	.079	-	-
1.93	.076	-	-
1.91	.075	-	-
1.57	.062	16.76	.660
1.52	.060	2.67	.105
1.40	.055	2.41	.095
1.37	.054	2.29	.090
0.20	.008	2.16	.085
0.13	.005	2.08	.082
MM	IN	MM	IN

CONVERSION TABLE

METRIC

PRE-TIN	0.20 BRASS	1.52 MAX	30-24(0.05-0.2mm)	794046-1
FINISH	MATERIALE	INSULATION DIAMETER	WIRE RANGE	PART NO.
THIS DRAWING IS A CONTROLLED DOCUMENT.		DWN K. SALMON 8-1-94	TE Connectivity	
		CHK R. SWING 8-1-94		
DIMENSIONS: INCHES		APVD G. CASH 8-4-94	NAME .062 SOCKET	
TOLERANCES UNLESS OTHERWISE SPECIFIED:		PRODUCT SPEC	COMMERCIAL PIN & SOCKET	
0 PLC ± -		108-1037		
1 PLC ± -		APPLICATION SPEC		
2 PLC ± -		30-114-1013		
3 PLC ± 0.13		WEIGHT	RESTRICTED TO	
4 PLC ± -		0		
ANGLES ± 0° 30'		CUSTOMER DRAWING		
MATERIAL SEE TABLE	FINISH SEE TABLE	SCALE N/A	SHEET 1 OF 1	REV A