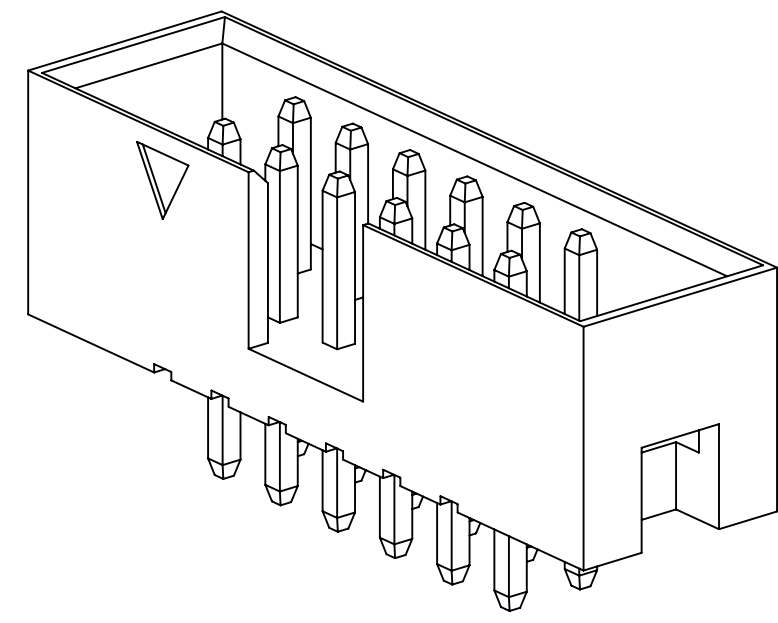
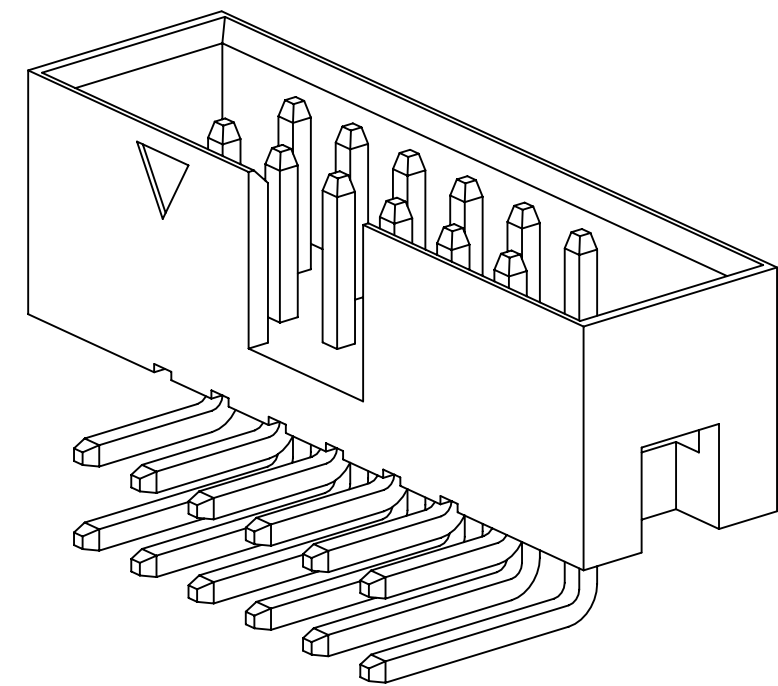


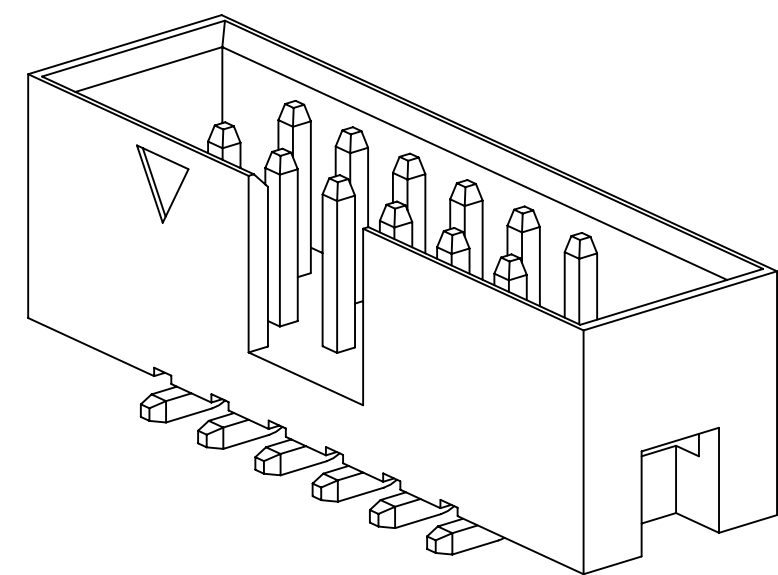
3M™ BOX HEADER, 9572 SERIES  
 2MM X 2MM, STRAIGHT, RIGHT ANGLE AND SURFACE MOUNT, SOLDER TAIL



DUAL ROW  
 STRAIGHT  
 VERSION



DUAL ROW  
 RIGHT ANGLE  
 VERSION



DUAL ROW  
 SURFACE MOUNT  
 VERSION

**2** PHYSICAL :

INSULATOR: HIGH TEMP THERMOPLASTIC  
 MATERIAL: UL94V-0  
 FLAMMABILITY: BLACK  
 COLOR: BLACK  
 CONTACT: COPPER ALLOY  
 MATERIAL: COPPER ALLOY  
 PLATING: NICKEL-OVERALL  
 UNDER PLATING: 50-100µ" [ 1.27-2.54µm ]  
 WIPING AREA: GOLD FLASH  
 SOLDER TAILS: 40-118µ" [ 1-3µm ] MATTE TIN

**2** ELECTRICAL :

CURRENT RATING: 2A  
 CONTACT RESISTANCE: ≤20 mΩ  
 INSULATION RESISTANCE: ≥1000 MΩ  
 WITHSTANDING VOLTAGE: 500 Vr.m.s, 1mA, 60s

**2** MECHANICAL :

RETENTION FORCE: ≥ 4.5N PER PIN

**2** ENVIRONMENTAL :

TEMPERATURE RATING: -40° C TO 125° C  
 HUMIDITY: <93% AT 40° C  
 RESISTANCE TO SOLDERING HEAT: 260° C±5° C, 10s

- NOTES
1. REGULATORY INFORMATION: VISIT 3M.com/regs
  2. IN THE EVENT OF CONFLICT BETWEEN THIS DATA AND THAT CONTAINED IN THE PRODUCT SPECIFICATION, THE PRODUCT SPECIFICATION TAKES PRECEDENT.
  3. N = THE NUMBER OF POSITIONS.
  4. CONTACT YOUR 3M REPRESENTATIVE FOR AVAILABILITY OF ADDITIONAL CUSTOM POSITIONS.

3M™ ELECTRONICS MATERIALS SOLUTIONS DIVISION  
 INTERCONNECT SOLUTIONS  
<http://www.3m.com/interconnect>

3M IS A TRADEMARK OF 3M COMPANY.  
 FOR TECHNICAL, SALES OR ORDERING  
 INFORMATION CALL 800-225-5373

**UL** **us**  
 UL FILE NO: E68080

DIMENSIONS: MM ( INCH )  
 ( INCH ) FOR REF. ONLY

DESIGN REFERENCE	NEXT ASSEMBLY	REV	ECO	ISSUE DATE AND DESCRIPTION	DRFT	CHKD
F 106672				AUG 31, 2022 ADD ORIENTATION SLOT	JNC	FJR
E 104062				APR 20, 2022 REVISE ORDERING INFO	JNC	FJR
D 90462				APR 27, 2020 REVISED WARRANTY STATEMENT REVISED TABLE 1 ON SHEETS 2 AND 3	LDS	FJR
C 78557				APR 05, 2018 UPDATE TABLE 1 TO REMOVE ( IN ) VALUES	SBO	FR
B 74628				JUL 06, 2017 △ WAS: -40C TO 105C	LDS	SC
A 72044				FEB 02, 2017 PRODUCTION RELEASE	JNC	TS

APPROVED	DATE	APPROVED	DATE
CASTIGLIONE	MAY 14, 2015	SUNIGA	MAY 14, 2015

DO NOT SCALE DRAWING	SCALE	TOLERANCES EXCEPT AS NOTED
	6 1	

THIRD ANGLE PROJECTION	INCHES	MILLIMETERS
	0 ± 2	0 ± 2
	.00 ± 0.20	.00 ± 0.20
	.000 ± 0.005	.000 ± 0.005

MAX SURFACE ROUGHNESS	ALL SURFACES	MARKED ONLY
	0.4	0.4

TITLE	CAGE NUMBER	SIZE	DRAWING NO.	REV.
BOX HEADER, 2MM, STRAIGHT, RIGHT ANGLE AND SMT	D		78-5100-2656-6	F

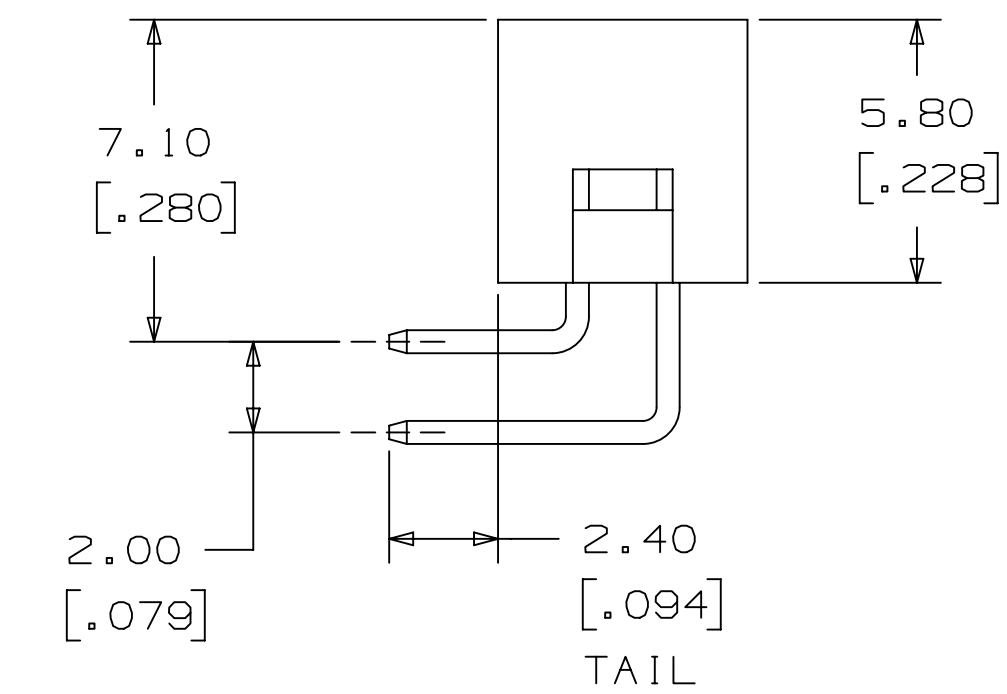
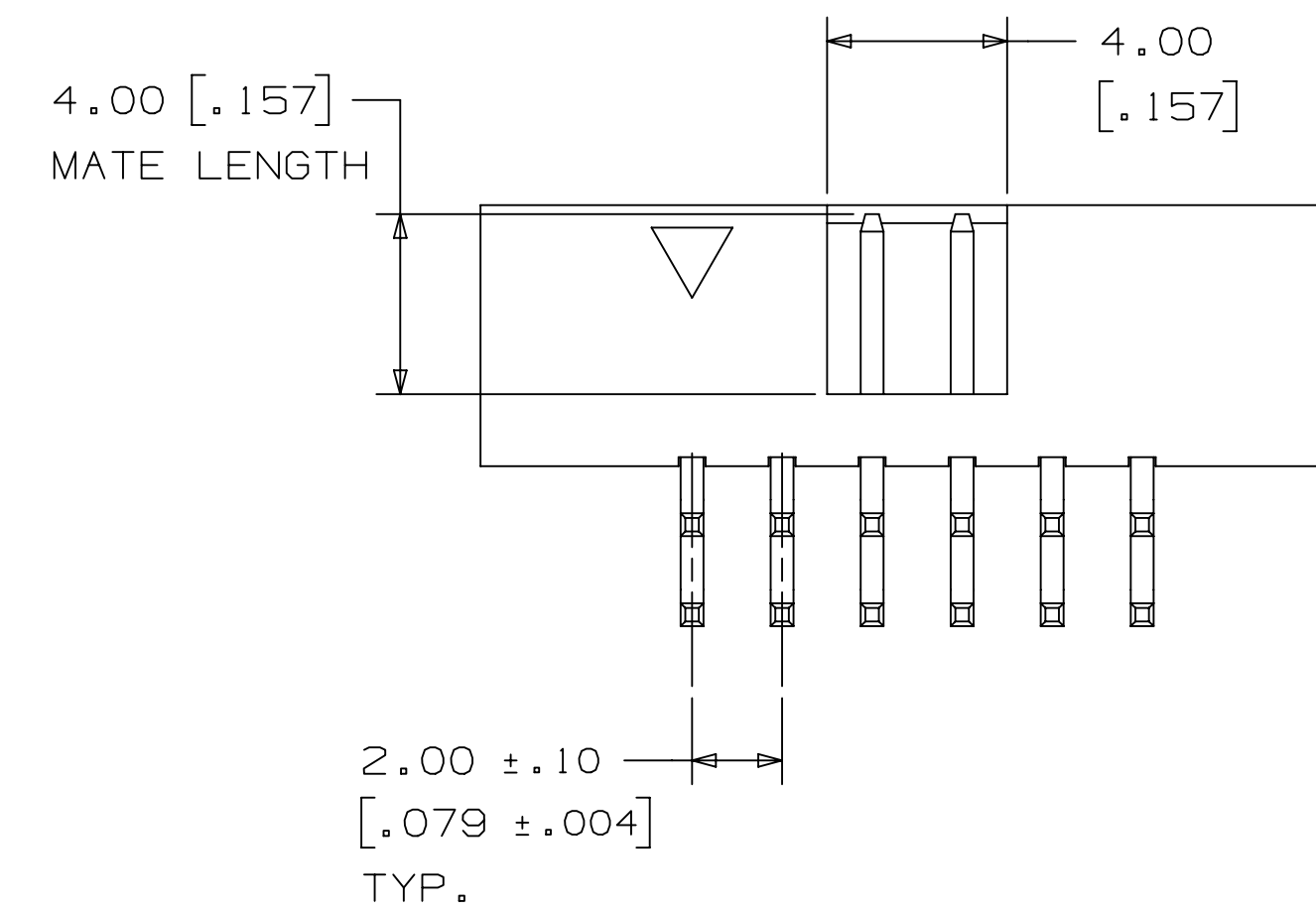
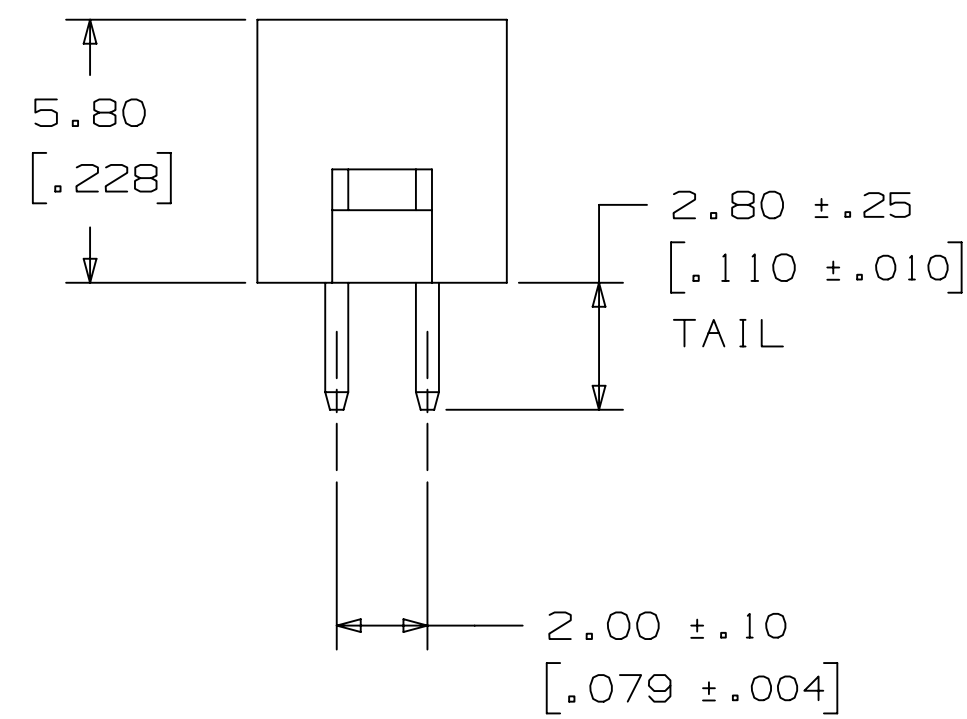
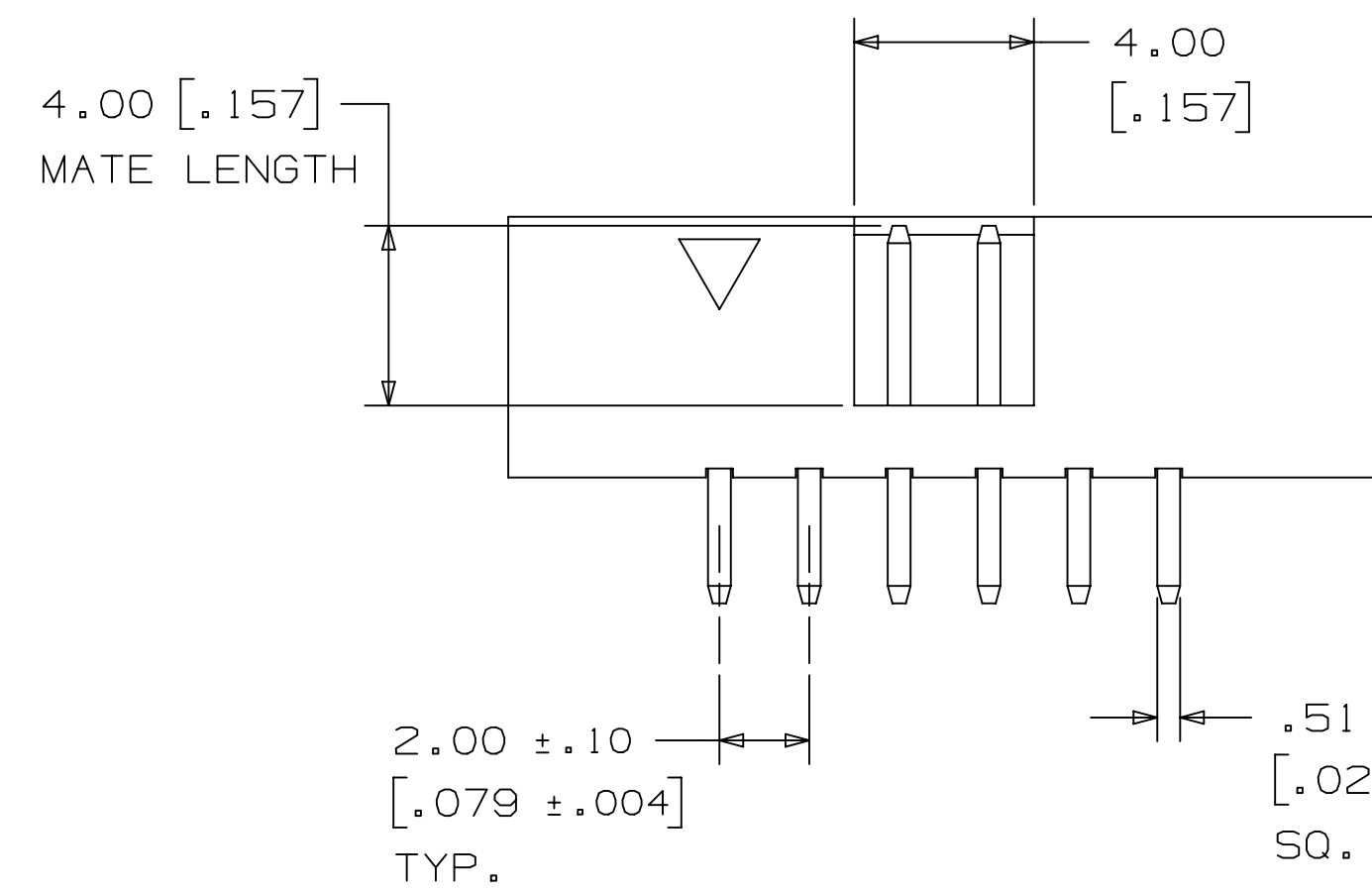
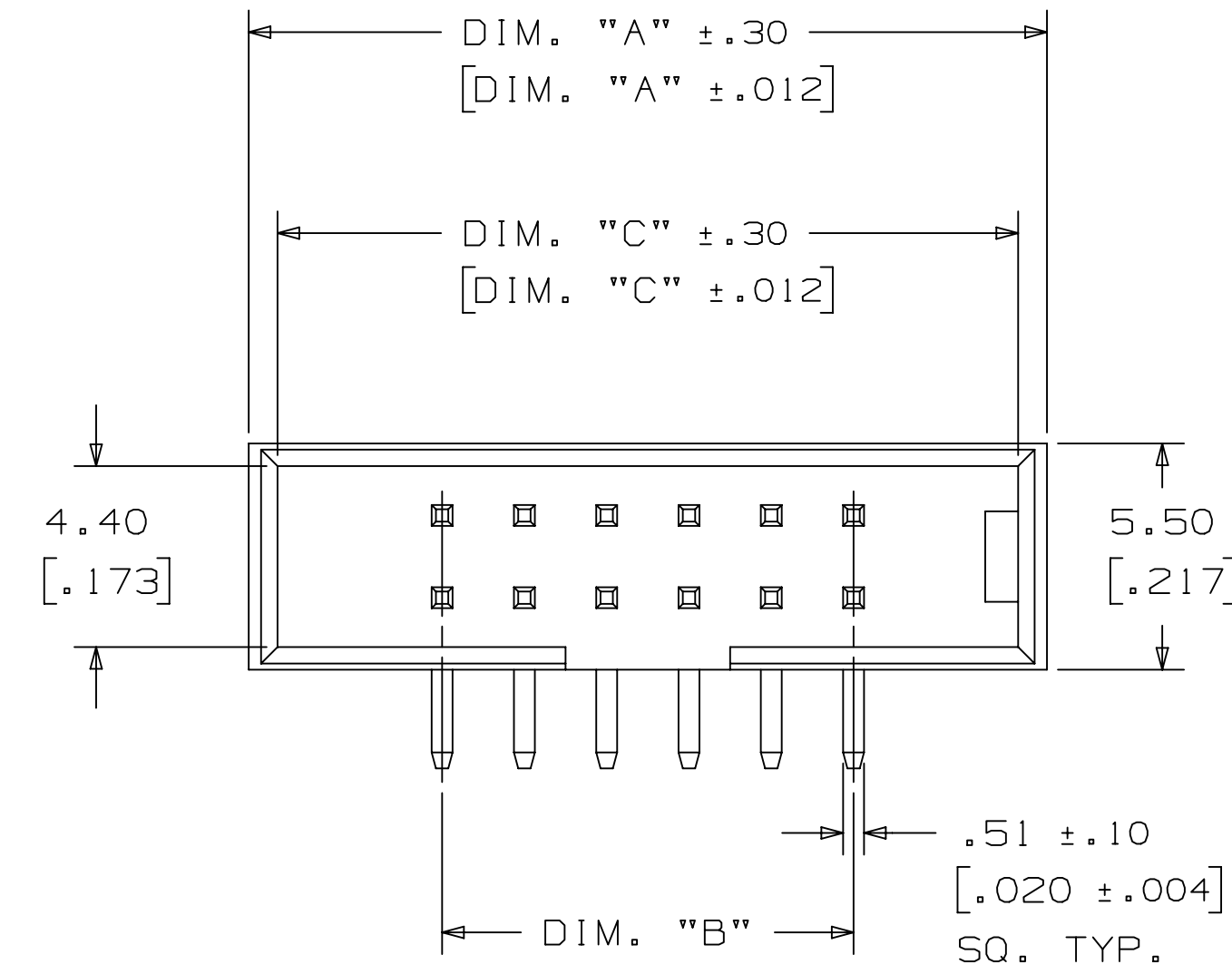
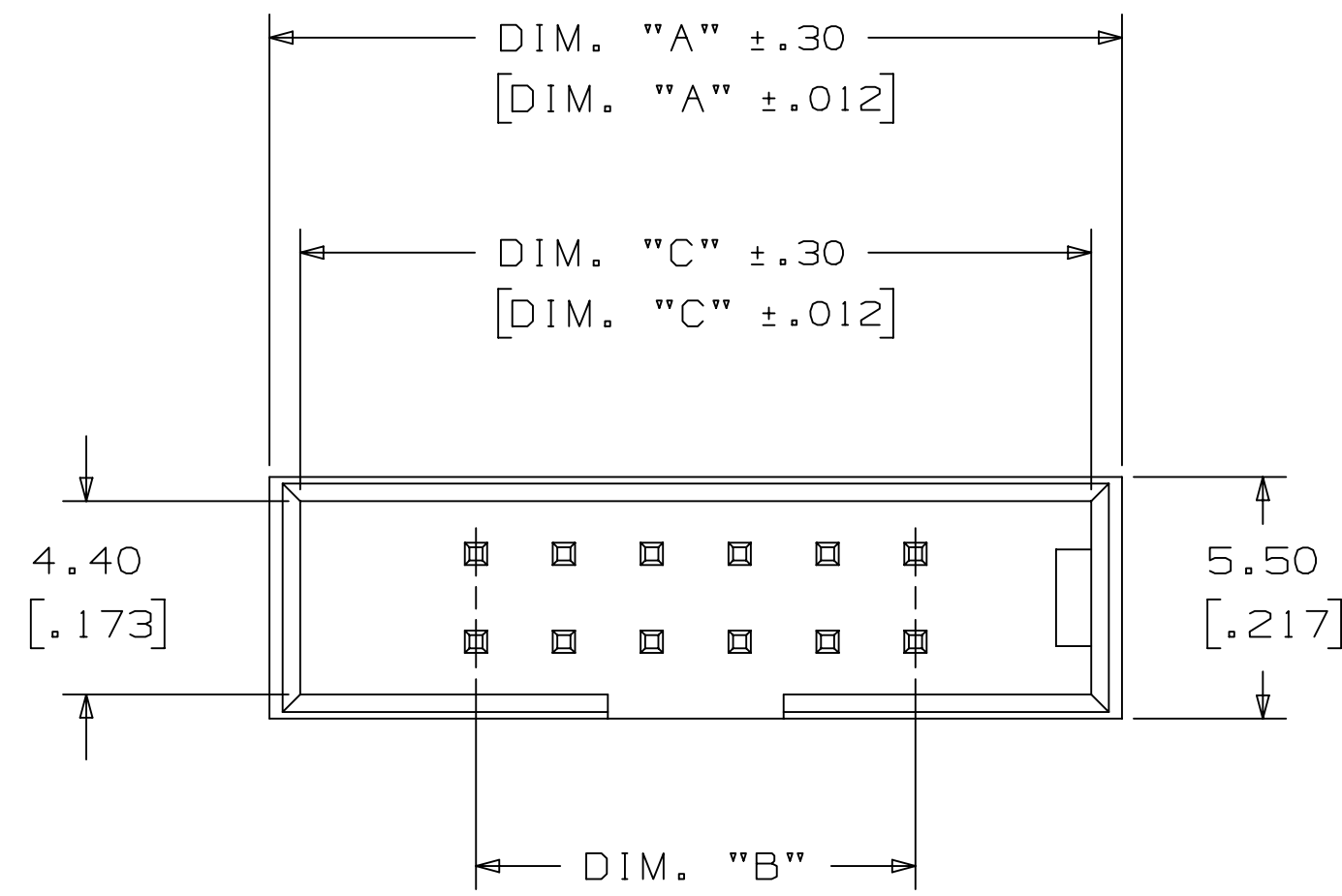
  

MODEL	DET	YES	NO	SHT 1 OF 4
9572				

78-5100-2656-6  
DRAWING NUMBER

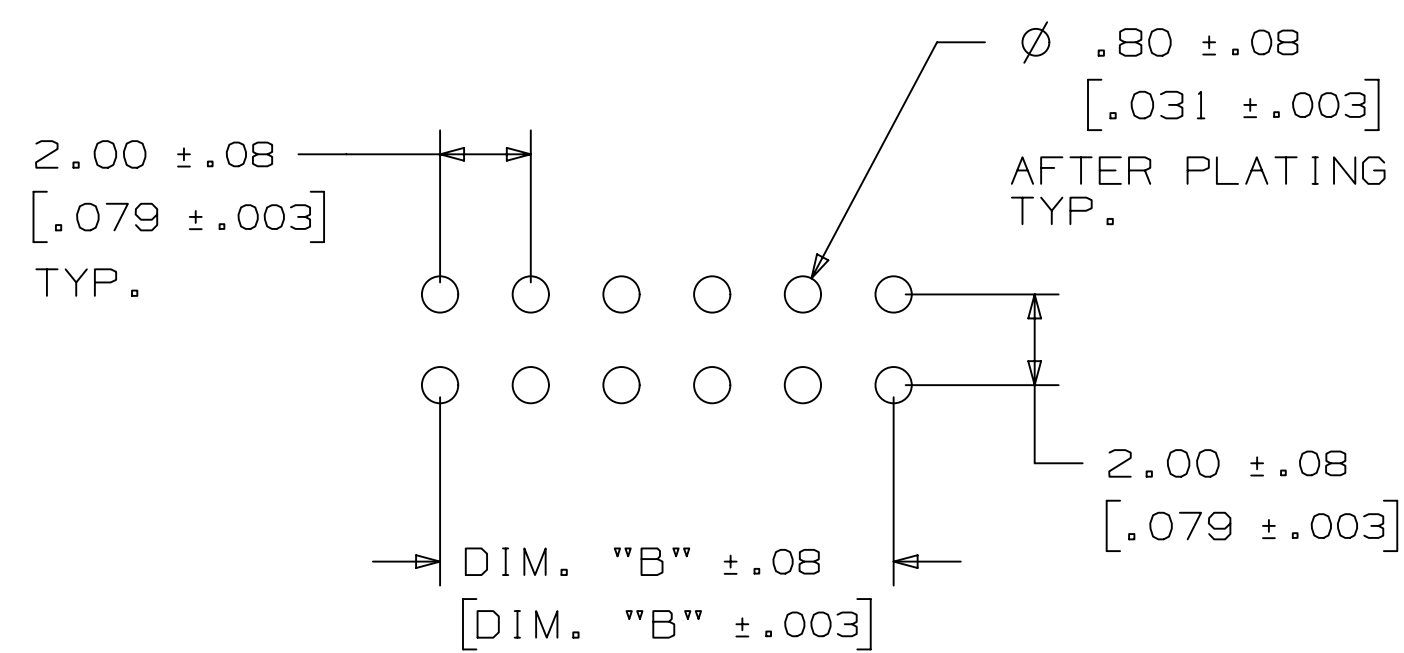
A

3M™ BOX HEADER, 9572 SERIES  
2MM X 2MM, STRAIGHT, RIGHT ANGLE AND SURFACE MOUNT, SOLDER TAIL



STRAIGHT VERSION

RIGHT ANGLE VERSION



RECOMMENDED PC BOARD LAYOUT  
FOR STRAIGHT AND RIGHT ANGLE VERSIONS  
(VIEWED FROM CONNECTOR SIDE)

ORDERING INFORMATION  
(STRAIGHT & RIGHT ANGLE ONLY)

9572XX-X002-AR

CONTACT QTY: 10-50 (SEE NOTE 4)  
MOUNTING STYLE: 5 = RIGHT ANGLE, 6 = STRAIGHT

TABLE 1 mm	
DIM. "A"	$((N/2) - 1) \times 2.00 + 9.40$
DIM. "B"	$((N/2) - 1) \times 2.00$
DIM. "C"	$((N/2) - 1) \times 2.00 + 8.00$
SEE NOTE 3	

3M ELECTRONICS MATERIALS SOLUTIONS DIVISION  
INTERCONNECT SOLUTIONS  
<http://www.3m.com/interconnect>

3M IS A TRADEMARK OF 3M COMPANY.  
FOR TECHNICAL, SALES OR ORDERING  
INFORMATION CALL 800-225-5373

REV	ECO	ISSUE DATE AND DESCRIPTION	DRFT	CHKD
F	106672	AUG 31, 2022 ADD ORIENTATION SLOT	JNC	FJR
E	104062	APR 20, 2022 REVISE ORDERING INFO	JNC	FJR
D	90462	APR 27, 2020 REVISED WARRANTY STATEMENT REVISED TABLE 1 ON SHEETS 2 AND 3	LDS	FJR
C	78557	APR 05, 2018 UPDATE TABLE 1 TO REMOVE [IN] VALUES	SBO	FR
B	74628	JUL 06, 2017 WAS: -40C TO 105C	LDS	SC
A	72044	FEB 02, 2017 PRODUCTION RELEASE	JNC	TS

DESIGN REFERENCE	NEXT ASSEMBLY	REV	ECO	ISSUE DATE AND DESCRIPTION	DRFT	CHKD
		DRFT	CASTIGLIONE	MAY 14, 2015	MFG	DATE
		CHKD		DATE	APPR	DATE
					T. SUNIGA	MAY 14, 2015

DO NOT SCALE DRAWING	SCALE	TOLERANCES EXCEPT AS NOTED
	6 1	
		INCHES 0 ±.00 .000 ±.0000 ±
		MILLIMETERS 0 ±.2 .00 ±0.20 .000 ±0.005
		ANGLES ±

TITLE	CAGE NUMBER	SIZE	DRAWING NO.	REV.
BOX HEADER, 2MM, STRAIGHT, RIGHT ANGLE AND SMT	D	78-5100-2656-6	F	
	MODEL	9572	DET	IS1S YES NO SHT 2 OF 4

DRAWING NUMBER 78-5100-2656-6

REVISION

3M™ BOX HEADER, 9572 SERIES  
 2MM X 2MM, STRAIGHT, RIGHT ANGLE AND SURFACE MOUNT, SOLDER TAIL

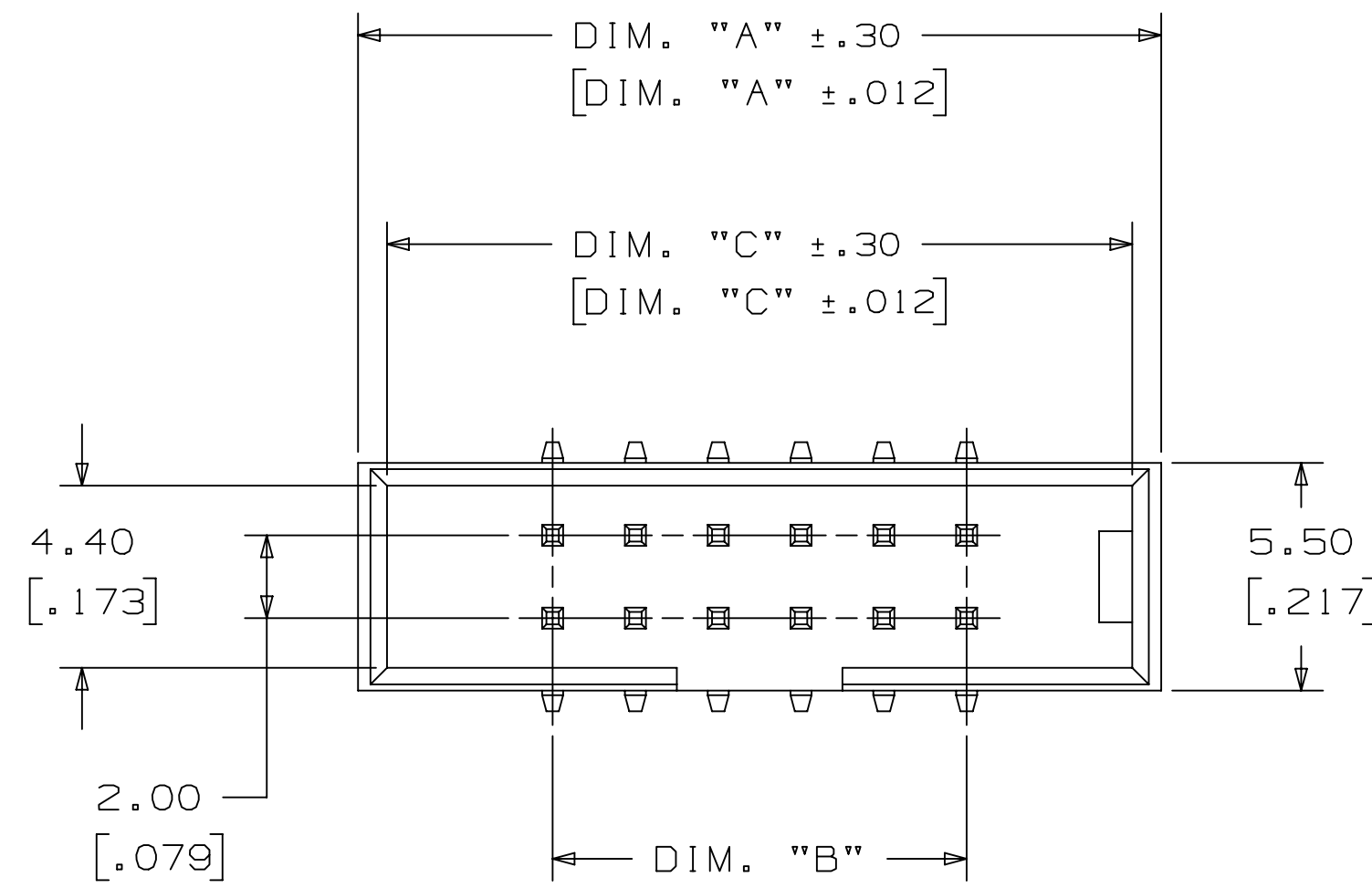
ORDERING INFORMATION  
 (SURFACE MOUNT ONLY)

9572XX-20X0-AR-XX

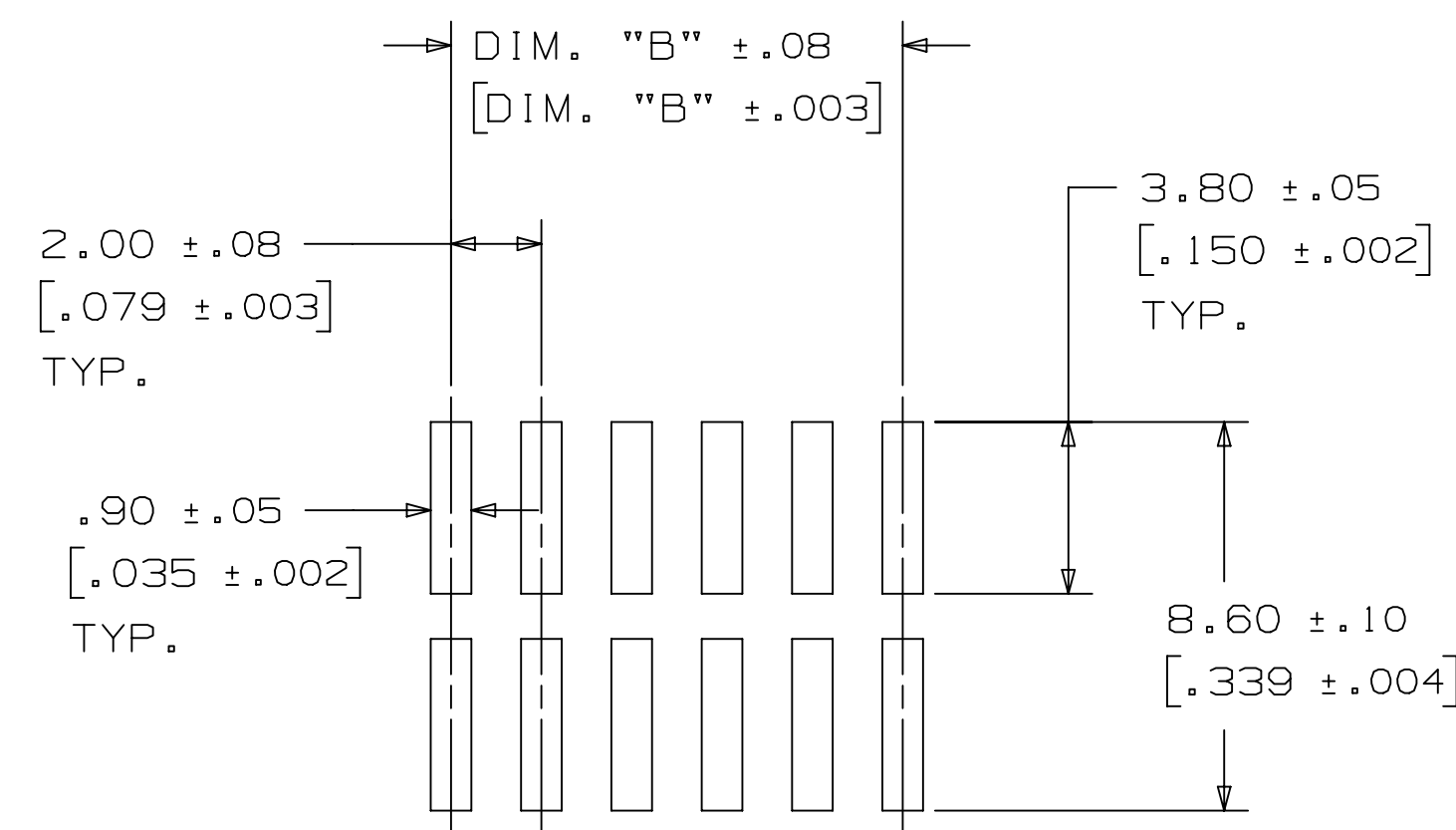
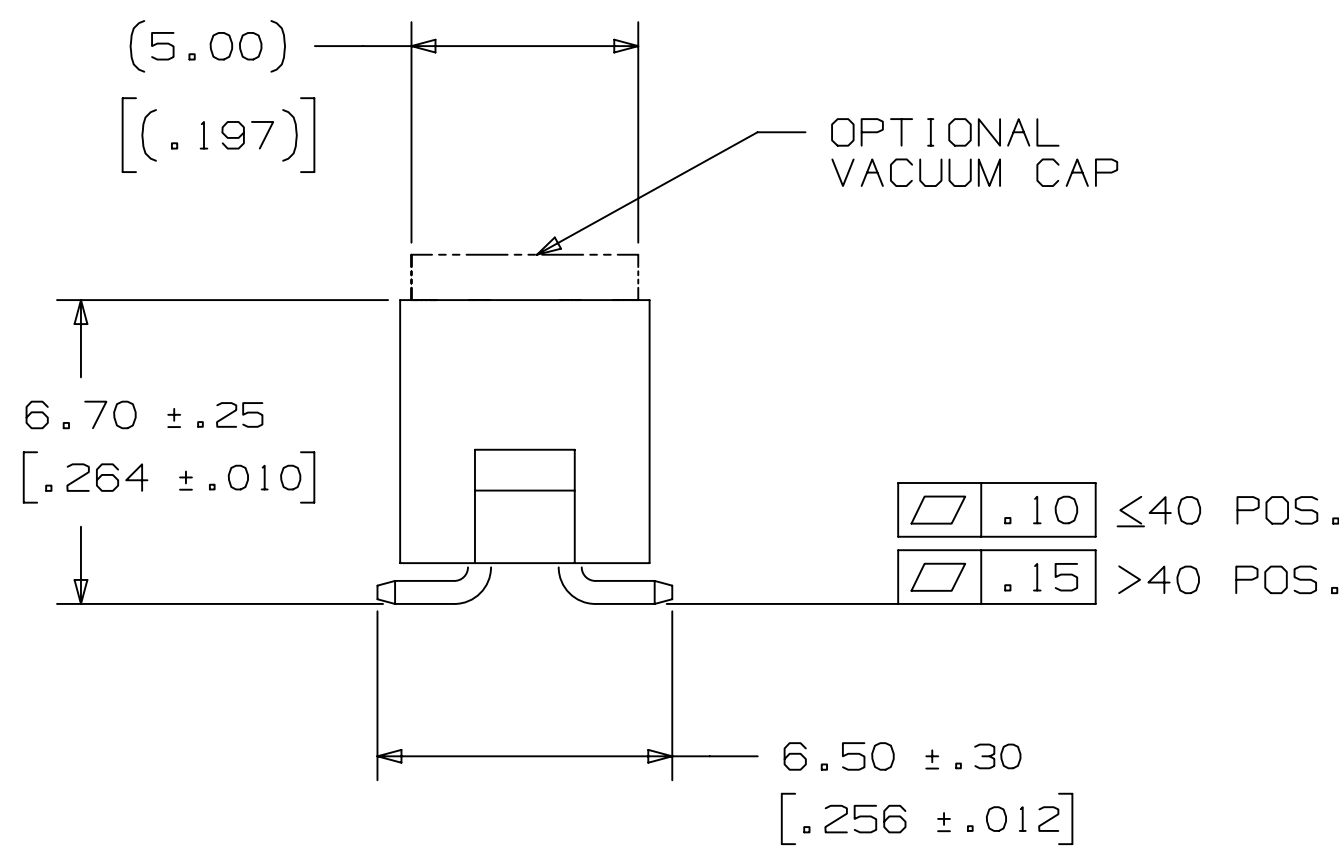
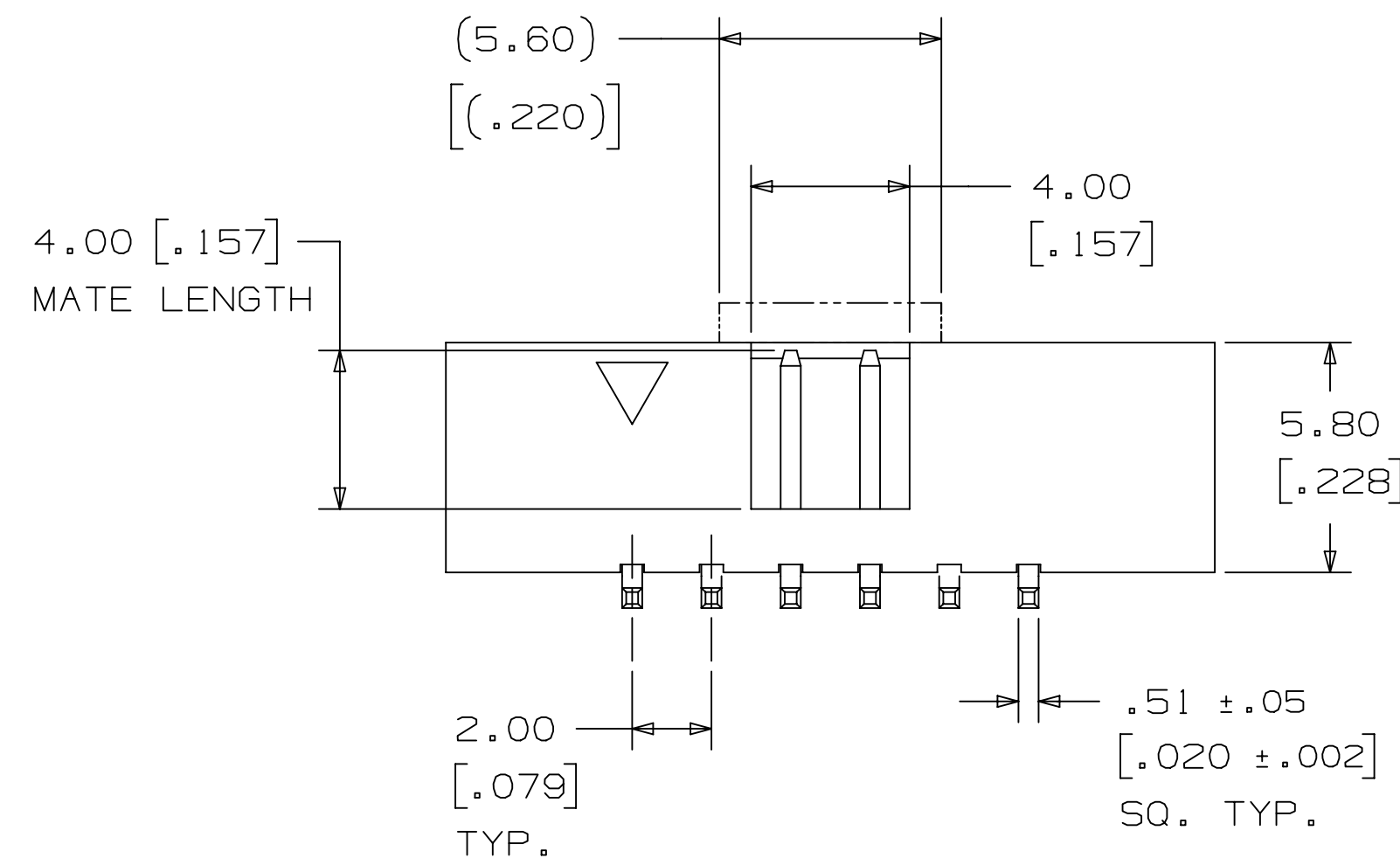
CONTACT QTY:  
 10-50  
 (SEE NOTE 4)

LOCATING POST:  
 0 = NONE

PACKAGING:  
 TP = TUBE WITHOUT PAD  
 PT = TUBE WITH PAD  
 PR = TAPE & REEL WITH PAD  
 SEE TABLE 2



CONTACT QTY.	10-12	14-24	26-34	40-50	60-68
TAPE WIDTH [MM]	32	44	56	72	88



RECOMMENDED PC BOARD LAYOUT  
 (VIEWED FROM CONNECTOR SIDE)

DIM. "A"	$((N/2) - 1) \times 2.00 + 9.40$
DIM. "B"	$((N/2) - 1) \times 2.00$
DIM. "C"	$((N/2) - 1) \times 2.00 + 8.00$

SEE NOTE 3

REV	ECO	ISSUE DATE AND DESCRIPTION	DRFT	CHKD
F	106672	AUG 31, 2022 ADD ORIENTATION SLOT	JNC	FJR
E	104062	APR 20, 2022 REVISE ORDERING INFO	JNC	FJR
D	90462	APR 27, 2020 REVISED WARRANTY STATEMENT REVISED TABLE 1 ON SHEETS 2 AND 3	LDS	FJR
C	78557	APR 05, 2018 UPDATE TABLE 1 TO REMOVE [IN] VALUES	SBO	FR
B	74628	JUL 06, 2017 △ WAS: -40C TO 105C	LDS	SC
A	72044	FEB 02, 2017 PRODUCTION RELEASE	JNC	TS

DESIGN REFERENCE	NEXT ASSEMBLY	DRFT	CHKD	DATE	DATE
		CASTIGLIONE		MAY 14, 2015	MAY 14, 2015
DIVISION		DIVISION CODE			
		EMSD			
DO NOT SCALE DRAWING	SCALE	TOLERANCES EXCEPT AS NOTED			
	6/1	INCHES			
		MILLIMETERS			
THIRD ANGLE PROJECTION		0 ± 2			
		.00 ± 0.5			
		.00 ± 0.20			
		.000 ± 0.005			
MAX. SURFACE ROUGHNESS		ANGLES			
✓ ALL SURFACES					
✓ MARKED ONLY					

3M Center St. Paul, MN 55144

© 3M COPYRIGHT 2022  
 This document and the information it contains are 3M property and may not be reproduced or further distributed without 3M permission, or used or disclosed other than for 3M authorized purposes. All rights reserved.

TITLE: BOX HEADER, 2MM, STRAIGHT, RIGHT ANGLE AND SMT

CAGE NUMBER: D78-5100-2656-6  
 MODEL: 9572

REV. F

DET: [ ] YES [X] NO SHT 3 OF 4

3M™ ELECTRONICS MATERIALS SOLUTIONS DIVISION  
 INTERCONNECT SOLUTIONS  
<http://www.3m.com/interconnect>

3M IS A TRADEMARK OF 3M COMPANY.  
 FOR TECHNICAL, SALES OR ORDERING  
 INFORMATION CALL 800-225-5373

78-5100-2656-6  
DRAWING NUMBER

A

3M™ BOX HEADER, 9572 SERIES  
 2MM X 2MM, STRAIGHT, RIGHT ANGLE AND SURFACE MOUNT, SOLDER TAIL

**Regulatory:** For regulatory information about this product, visit 3M.com/regs or contact your 3M representative.

**Technical Information:** The technical information, guidance, and other statements contained in this document or otherwise provided by 3M are based upon records, tests, or experience that 3M believes to be reliable, but the accuracy, completeness, and representative nature of such information is not guaranteed. Such information is intended for people with knowledge and technical skills sufficient to assess and apply their own informed judgment to the information. No license under any 3M or third party intellectual property rights is granted or implied with this information.

**Product Use:** Many factors beyond 3M's control and uniquely within user's knowledge and control can affect the use and performance of a 3M product in a particular application. As a result, customer is solely responsible for evaluating the product and determining whether it is appropriate and suitable for customer's application, including conducting a workplace hazard assessment and reviewing all applicable regulations and standards (e.g., OSHA, ANSI, etc.). Failure to properly evaluate, select, and use a 3M product in accordance with all applicable instructions and with appropriate safety equipment, or to meet all applicable safety regulations, may result in injury, sickness, death, and/or harm to property.

**Warranty, Limited Remedy, and Disclaimer:** Unless a different warranty is specifically stated on the applicable 3M product packaging or product literature (in which case such warranty governs), 3M warrants that each 3M product meets the applicable 3M product specification at the time 3M ships the product. 3M MAKES NO OTHER WARRANTIES OR CONDITIONS, EXPRESS OR IMPLIED, INCLUDING, BUT NOT LIMITED TO, ANY IMPLIED WARRANTY OR CONDITION OF MERCHANTABILITY, FITNESS FOR A PARTICULAR PURPOSE, OR ANY IMPLIED WARRANTY OR CONDITION ARISING OUT OF A COURSE OF DEALING, CUSTOM, OR USAGE OF TRADE. If a 3M product does not conform to this warranty, then the sole and exclusive remedy is, at 3M's option, replacement or repair of the 3M product or refund of the purchase price.

**Limitation of Liability:** Except for the limited remedy stated above, and except to the extent prohibited by applicable law, 3M will not be liable for any loss or damage arising from or related to the 3M product, whether direct, indirect, special, incidental, or consequential (including, but not limited to, lost profits or business opportunity), regardless of the legal or equitable theory asserted, including, but not limited to, warranty, contract, negligence, or strict liability.


**Disclaimer:** For industrial use only. Not intended, labeled or packaged for consumer sale or use.

3M Company  
 Electronics Materials Solutions Division  
 13011 McCallen Pass, Bldg. C  
 Austin, TX 78753-5380  
 1-800-225-5373  
 www.3M.com/interconnect

3M™ ELECTRONICS MATERIALS SOLUTIONS DIVISION  
 INTERCONNECT SOLUTIONS  
<http://www.3m.com/interconnect>

3M IS A TRADEMARK OF 3M COMPANY.  
 FOR TECHNICAL, SALES OR ORDERING  
 INFORMATION CALL 800-225-5373

REV	ECO	ISSUE DATE AND DESCRIPTION	DRFT	CHKD
F	106672	AUG 31,2022 ADD OREINTATION SLOT	JNC	FJR
E	104062	APR 20,2022 REVISE ORDERING INFO	JNC	FJR
D	90462	APR 27,2020 REVISED WARRANTY STATEMENT REVISED TABLE 1 ON SHEETS 2 AND 3	LDS	FJR
C	78557	APR 05,2018 UPDATE TABLE 1 TO REMOVE [ IN ] VALUES	SBO	FR
B	74628	JUL 06,2017 △ WAS: -40C TO 105C	LDS	SC
A	72044	FEB 02,2017 PRODUCTION RELEASE	JNC	TS

DESIGN REFERENCE	NEXT ASSEMBLY	REV	ECO	ISSUE DATE AND DESCRIPTION	DRFT	CHKD
FACE CODES		DRFT	CASTIGLIONE	DATE	MAY 14,2015	MFG
		CHKD		DATE	MAY 14,2015	APPR
				DATE	MAY 14,2015	T. SUNIGA
DIVISION	DIVISION CODE	 © 3M COPYRIGHT 2022 This document and the information it contains are 3M property and may not be reproduced or further distributed without 3M permission, or used or disclosed other than for 3M authorized purposes. All rights reserved.				
DO NOT SCALE DRAWING	SCALE 1	TOLERANCES EXCEPT AS NOTED INCHES .0 ± 0.5 .00 ± 0.20 .000 ± 0.005 MILLIMETERS 0 ± 2 .0 ± 0.5 .00 ± 0.20 .000 ± 0.005				
THIRD ANGLE PROJECTION		TITLE <b>BOX HEADER, 2MM,          STRAIGHT, RIGHT ANGLE          AND SMT</b>				
INTERPRET PER ASME Y14.5 - 2018		CAGE NUMBER	SIZE	DRAWING NO.	REV.	
MAX SURFACE ROUGHNESS		D	78-5100-2656-6	F		
MARKED ONLY		MODEL	9572	DET	YES <input type="checkbox"/> NO <input checked="" type="checkbox"/>	SHT 4 OF 4

78-5100-2656-6  
DRAWING NUMBER

A