

MATERIALS & SPECIFICATIONS

PART NO.	A22030-001	REV	ECO	DATE	APP
		E	100733	07-19-14	TLM

INSULATOR:
LIQUID CRYSTAL POLYMER (LCP) PER ASTM D5138.

CONTACT:
COPPER ALLOY PER MIL-DTL-83513. GOLD PLATE PER ASTM B488,
(HARD GOLD) TYPE II CODE C, CLASS 1.27.

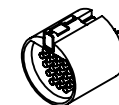
TERMINATION:
COPPER ALLOY PER MIL-DTL-83513 GOLD PLATED PER ASTM B488,
(HARD GOLD) TYPE II CODE C CLASS 1.27.

LATCH BOX:
BERYLLIUM COPPER PER ASTM B194 NICKEL PLATE PER SAE-AMS-2404.

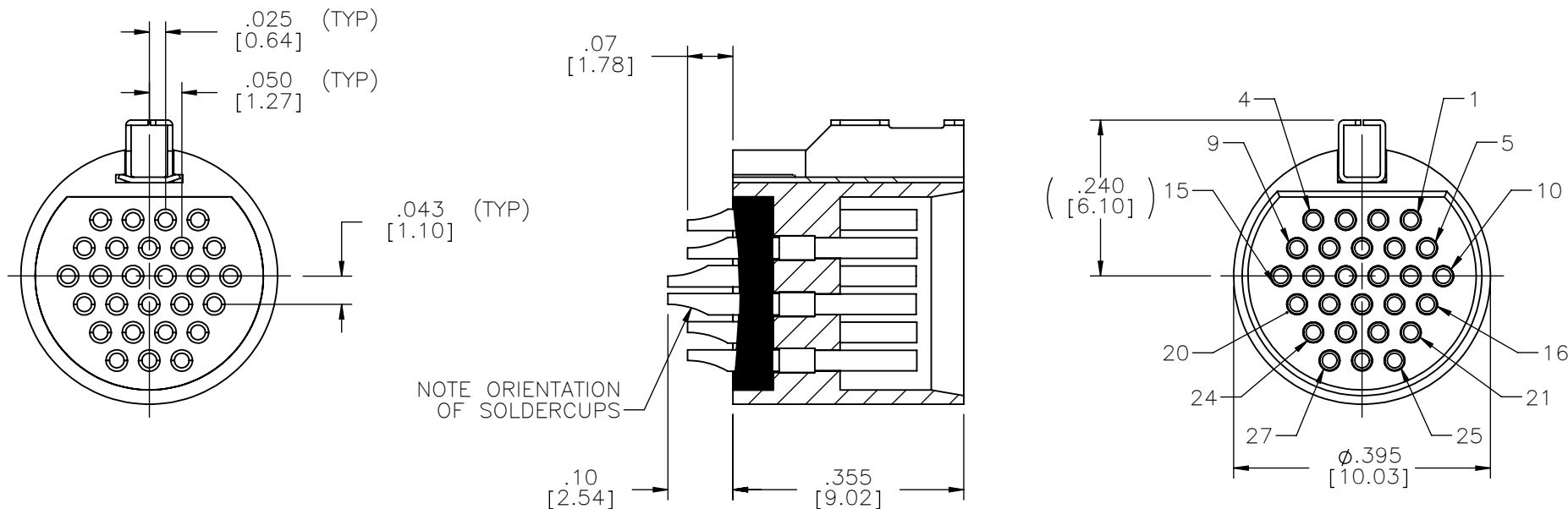
CURRENT CAPACITY:
3 AMP MAX.

CONTACT RESISTANCE:
26 MILLIOHMS (65mV) MAX @ 2.5 AMPS.

PERFORMANCE:
PRODUCT FAMILY TESTED TO AND PASSED THE PERFORMANCE
SPECIFICATIONS OF TABLE VII OF MIL-DTL-83513.



ACTUAL SIZE



RoHS

MCS	THIRD ANGLE
	-TOLERANCES-
MCS	UNLESS OTHERWISE NOTED
	DIMENSIONS IN INCHES
MCS	2 PL DEC ± .01
	3 PL DEC ± .005
	4 PL DEC ± .0005
	ANGLES ± 1°

THIS DRAWING CONTAINS CONFIDENTIAL AND PROPRIETARY INFORMATION WHICH IS THE PROPERTY OF OMNETICS CONNECTOR CORP. THIS DOCUMENT MAY NOT, IN WHOLE OR IN PART, BE DUPLICATED, OR DISCLOSED FOR ANY PURPOSE, WITHOUT WRITTEN PERMISSION FROM OMNETICS CONNECTOR CORP.	
DFTM. TEP	DATE 10-24-07
CHK'D.	DATE
APP'D.	DATE
TITLE: (27) SOCKET FEMALE MICRO CIRCULAR CONNECTOR W/ LATCH	

OMNETICS
CONNECTOR CORPORATION
7260 COMMERCE CIRCLE EAST
MINNEAPOLIS, MN 55432
WWW.OMNETICS.COM

CAGE CODE 61873	
DWG NO. A22030-001	
SHEET 1 OF 1	REV E
SCALE: 4:1	