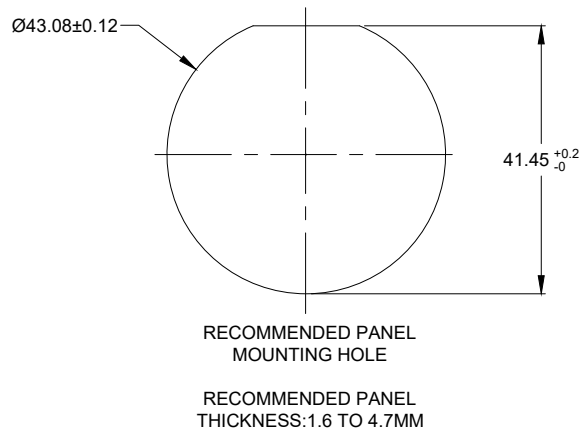
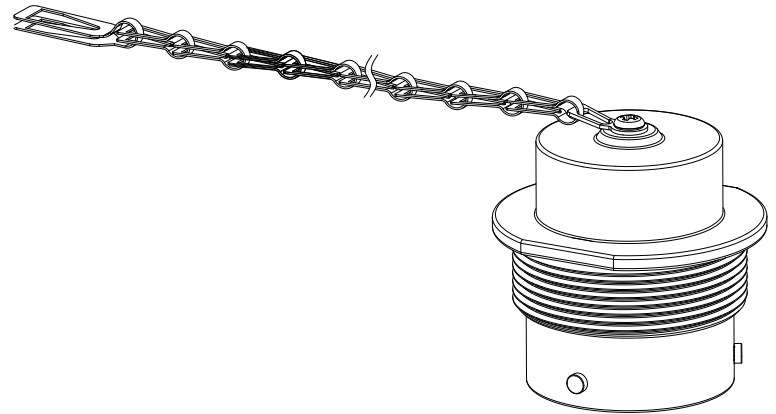
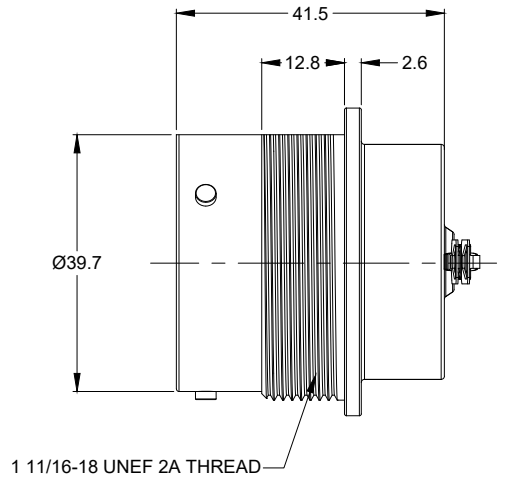
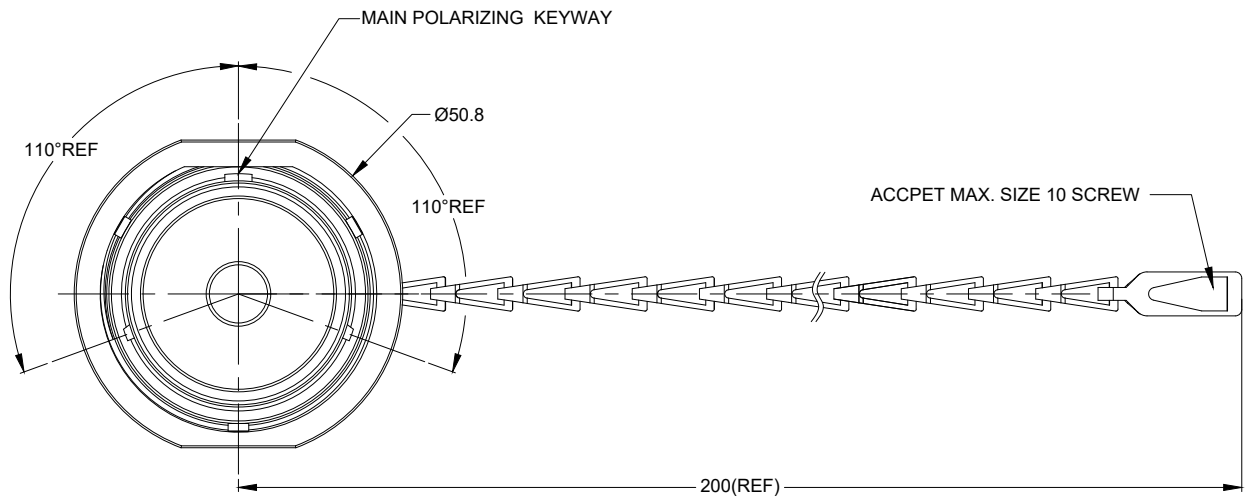


REVISIONS					
REV	ECO	DESCRIPTION	DATE	BY	APPR
A1	--	RELEASE NEW DRAWING	19/OCT/18	ROOKIE	TOMMY



NOTES: UNLESS OTHERWISE SPECIFIED

- MATERIAL:
SHELL: ALUMINUM ALLOY, NICKEL PLATED;
CHAIN: STAINLESS STEEL;
SEAL: SILICONE RUBBER.
- MATE WITH AHDM SERIES SIZE 24 PLUG (AHDM06-24-**** ,
* = ALL MODIFICATION) .
- IP CLASS : IP67&IP69K (MATED CONDITION) .
- RoHS COMPLIANT.
- ALL DIMENSIONS ARE FOR REFERENCE USE ONLY.

TITLE: PROTECTIVE CAP FOR PLUG,AHDM,SIZE 24
DWG NO: AHDC34-24
REV: A1
SH: 1
OF: 1

AHDC34-24		DESCRIPTION		ITEM
PART NUMBER		DESCRIPTION		ITEM
QUANTITY	MATERIALS LIST			
UNLESS OTHERWISE SPECIFIED		SIGNATURES	DATE	<h1>Amphenol</h1> <p>Sine Systems - www.amphenol-sine.com 44724 Morley Drive Clinton Township, MI 48036</p>
1) All dimensions are in metric(mm).		DRAWN: ROOKIE	19/OCT/18	
2) Tolerances are as follows:		CHECKED: ORION	19/OCT/18	
1 PL DEC ±0.30 Fractions ±1/64 2 PL DEC ±0.15 Angles ±1° 3 PL DEC ±0.08		ENGINEER:		
3) Note reference =		APPROVAL: TOMMY	19/OCT/18	
MATERIAL SPECIFICATIONS:		CUSTOMER:		PROTECTIVE CAP FOR PLUG,AHDM,SIZE 24
PROCESS SPECIFICATIONS:		THIS DRAWING IS SUPPLIED FOR INFORMATION ONLY. DESIGN FEATURES, SPECIFICATIONS AND PERFORMANCE DATA SHOWN HEREON ARE THE PROPERTY OF THE AMPHENOL CORPORATION. NO RIGHTS OF REPRODUCTION ARE IMPLIED. ALL DIMENSIONS ARE SUBJECT TO NORMAL MANUFACTURING VARIATIONS.		SIZE: B C- TYPE: NONE DWG NO: AHDC34-24 REVISION: A1
NEXT ASSY:		SCALE: NONE		SHEET 1 OF 1