



Release Notes

CY3280-BK1 Universal CapSense® Controller Basic Kit 1

Release Date: May 8, 2012

Thank you for your interest in the CY3280-BK1 Universal CapSense® Controller (UCC) Basic Kit 1. This document lists installation requirements, software and hardware updates, limitations, and known issues with the kit.

System Requirements and Recommendations

Hardware/Operating System Requirements	Minimum	Recommended
Processor speed	1 GHz	2 GHz
RAM	1 GB	2 GB
Free hard drive space	800 MB	1 GB
Screen resolution	1024x768	1280x1024
CD/DVD drive	✓	✓
USB	Full Speed	2.0 Hi-Speed
Windows XP (SP2 or higher), Vista, or Windows 7	✓	✓
Software Prerequisites	Minimum	Recommended
Microsoft Internet Explorer	7	Latest
Adobe Reader (for PDF documents)	6	9+
Windows Installer	3.1	
.NET Framework	2.0 SP1	
PSoC Programmer	3.12	Latest*
PSoC Designer	5.1 SP1	Latest*

*Go to <http://www.cypress.com/go/CY3280-BK1> for the latest downloads of software, code examples, and documentation.

Installation

To install, insert the kit CD/DVD into your PC's DVD-ROM drive. If the installer does not start automatically, run *cyautorun.exe* in the root directory of the CD/DVD. Follow the installation instructions.

Kit Revision – Rev. *B

In this revision, the code examples, user guide, quick start guide, and kit CD are updated to support the latest version of PSoC Designer.

Limitations and Known Issues

- CY3215 ICE-Cube debugger does not work with CY3280-20x34 and CY3280-21x34 UCC boards. The debugging section is not populated in revision *B of the kit.

Workaround: Assemble termination section and RJ45 connector (P1). The required termination and connector section for the CY3280-21x34 UCC board is illustrated in the schematic in [Figure 1](#). A similar termination is also required for the CY3280-20x34 UCC board.

Figure 1. OCD Termination Schematic

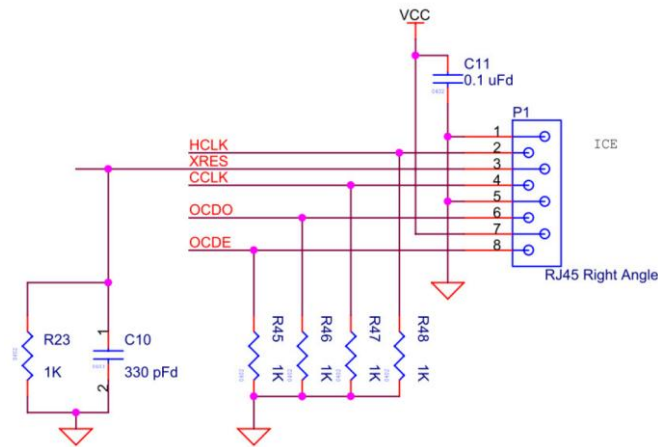


Figure 2 details the reworks required on the current board. The image on the left shows the six components that can be loaded on the available footprint; the image on the right shows the population of two components on the connector pins.

No.	Qty.	Reference	Part	Manufacturer	Mfr. Part No.	Comment
1	1	P1	CONN RJ45 8-8 MOD JACK UNSHIELD RIGHT ANGLE	AMP Division of TYCO	557785-1	Populate on provided footprint
2	4	R45,R46, R47,R48	RES 1.0K OHM 1/16W 5% 0402 SMD	Yageo Corporation	RC0402JR-071KL	Populate on provided footprint
3	1	C10	CAP 330PF 100V CERAMIC X7R 0603	Panasonic - ECG	ECJ-1VB2A331K	Populate on provided footprint
4	1	C11	CAP CER 330PF 100V 5% X7R 0603	Kemet	C0603C331J1RACTU	Populate on Pin 5 and 7 of connector P1
5	1	R23	RES 1.0KOHM 1/16W 3300PPM 5%0603	Panasonic - ECG	ERA-V33J102V	Populate on Pin 1 and 3 of connector P2

Figure 2. Board Reworded with OCD Termination



OCD line termination

- On the CY3280-20x34 and CY3280-21x34 boards, pin 3 of the ISSP connector J3 has the wrong label on the PCB silk screen – 'XRES' instead of 'XRES/INT'.
- The two digitally controlled potentiometers U3 and U6 on both the UCC baseboards have inter-operability issues; U6 is not populated on this version of the kit to contain this issue.



- When powering the CY3240-I2USB Bridge with an external power source (using the J3 connector), you may experience excess heating with the MAX3378 level shifter. To avoid heating, connect the CY3240-I2USB Bridge to the USB connector when applying external power.
- If the CY3240-I2USB Bridge is set to operate in self-powered mode and it does not operate correctly, when the PC starts, disconnect and then reconnect the CY3240-I2USB Bridge.
- The R15 and R19 markup on the board's top layer silkscreen is reversed. Exercise caution if any rework is planned on these components.

Documentation

Kit documents are located in the following location:

<Install_Directory>:\Cypress\CY3280-BK1\<version>\Documentation

Documents include:

CY3280-BK1 - User Guide.pdf

CY3280-BK1 - Quick Start Guide.pdf

Silicon Errata

The latest versions of the silicon errata are available at <http://www.cypress.com/psoc>.

Technical Support

For assistance, go to <http://www.cypress.com/go/support> or contact our customer support at +1(800) 541-4736 Ext. 8 (in the USA), or +1 (408) 943-2600 Ext. 8 (International).

Additional Information

- For more information about PSoC Designer functionality and releases, review the user guide and release notes on the PSoC Designer web page: <http://www.cypress.com/go/psocdesigner>
- For more information about PSoC Programmer, supported hardware, and COM layer, visit the PSoC Programmer web page: <http://www.cypress.com/go/psocprogrammer>
- For a list of trainings on PSoC Designer, visit <http://www.cypress.com/go/psocdesigner-training>



Cypress Semiconductor
198 Champion Court
San Jose, CA 95134-1709
Phone(USA): 800.858.1810
Phone (Intl): 408.943.2600
[http:// www.cypress.com](http://www.cypress.com)

Copyrights

© Cypress Semiconductor Corporation, 2011-2012. The information contained herein is subject to change without notice. Cypress Semiconductor Corporation assumes no responsibility for the use of any circuitry other than circuitry embodied in a Cypress product. Nor does it convey or imply any license under patent or other rights. Cypress products are not warranted nor intended to be used for medical, life support, life saving, critical control or safety applications, unless pursuant to an express written agreement with Cypress. Furthermore, Cypress does not authorize its products for use as critical components in life support systems where a malfunction or failure may reasonably be expected to result in significant injury to the user. The inclusion of Cypress products in life-support systems application implies that the manufacturer assumes all risk of such use and in doing so indemnifies Cypress against all charges.

Any Source Code (software and/or firmware) is owned by Cypress Semiconductor Corporation (Cypress) and is protected by and subject to worldwide patent protection (United States and foreign), United States copyright laws and international treaty provisions. Cypress hereby grants to licensee a personal, non-exclusive, non-transferable license to copy, use, modify, create derivative works of, and compile the Cypress Source Code and derivative works for the sole purpose of creating custom software and or firmware in support of licensee product to be used only in conjunction with a Cypress integrated circuit as specified in the applicable agreement. Any reproduction, modification, translation, compilation, or representation of this Source Code except as specified above is prohibited without the express written permission of Cypress.

Disclaimer: CYPRESS MAKES NO WARRANTY OF ANY KIND, EXPRESS OR IMPLIED, WITH REGARD TO THIS MATERIAL, INCLUDING, BUT NOT LIMITED TO, THE IMPLIED WARRANTIES OF MERCHANTABILITY AND FITNESS FOR A PARTICULAR PURPOSE. Cypress reserves the right to make changes without further notice to the materials described herein. Cypress does not assume any liability arising out of the application or use of any product or circuit described herein. Cypress does not authorize its products for use as critical components in life-support systems where a malfunction or failure may reasonably be expected to result in significant injury to the user. The inclusion of Cypress' product in a life-support systems application implies that the manufacturer assumes all risk of such use and in doing so indemnifies Cypress against all charges.

Use may be limited by and subject to the applicable Cypress software license agreement.

PSoC and CapSense are registered trademarks and PSoC Designer and Programmable System-on-Chip are trademarks of Cypress Semiconductor Corp. All other trademarks or registered trademarks referenced herein are property of the respective corporations.

Flash Code Protection

Cypress products meet the specifications contained in their particular Cypress PSoC Data Sheets. Cypress believes that its family of PSoC products is one of the most secure families of its kind on the market today, regardless of how they are used. There may be methods, unknown to Cypress, that can breach the code protection features. Any of these methods, to our knowledge, would be dishonest and possibly illegal. Neither Cypress nor any other semiconductor manufacturer can guarantee the security of their code. Code protection does not mean that we are guaranteeing the product as "unbreakable."

Cypress is willing to work with the customer who is concerned about the integrity of their code. Code protection is constantly evolving. We at Cypress are committed to continuously improving the code protection features of our products.