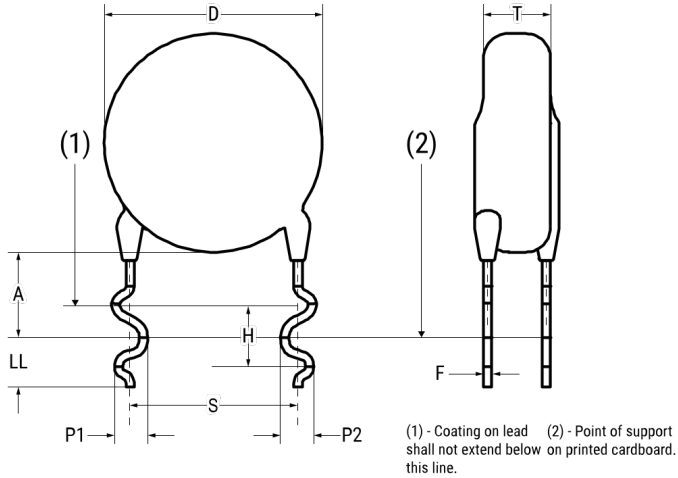


ERO610T502MQEO

Aliases (C825QE502M440X, ERO610RK4500MQEO)

Obsolete

ERO610 SFTY X1-440 Y2-250, Ceramic, 5000 pF, 20%, 440 VAC (X1), 250 VAC (Y2), Y5U, Lead Spacing = 10mm



Click [here](#) for the 3D model.

Dimensions

D	12mm MAX
H	2.6mm +/-0.3mm
T	4.5mm MAX
S	10mm NOM
LL	2.8mm MIN
F	0.6mm +/-0.05mm
A	7mm +/-1.5mm
V	1.4mm +/-0.5mm

Packaging Specifications

Packaging Bulk, Bag

General Information

Series	ERO610 SFTY X1-440 Y2-250
Style	Radial Disc
Description	Ceramic Single Layer Safety Disc Capacitors
RoHS	Yes
Termination	Tin
Qualifications	UL, CSA, CAN, ENEC, VDE
AEC-Q200	No

Specifications

Capacitance	5000 pF
Capacitance Tolerance	20%
Voltage AC	440 VAC (X1), 250 VAC (Y2)
Temperature Range	-40/+125°C
Temperature Coefficient	Y5U
Dissipation Factor	2.5%
Insulation Resistance	6 GOhms
Safety Class	X1/Y2