

Keywords: bidirectional, current sense amp, current monitor, battery, charge current, discharge current, amplifier, amplifiers, amps

APPLICATION NOTE 1949

Bi-directional Current-Sense with Single Output

By: Franco Contadini

Mar 25, 2003

Abstract: Battery operated devices often need to monitor both charge and discharge currents. A dual current-sense amplifier and differential amplifier are combined to produce a single output voltage that indicates magnitude and direction of battery current.

Systems such as laptop computers and other devices that have internal charge circuitry require a precise bi-directional current-sense amplifier to monitor accurately the battery's current regardless of polarity. The MAX4377 (a dual low-cost current-sense) can be used to produce a bi-directional current monitor.

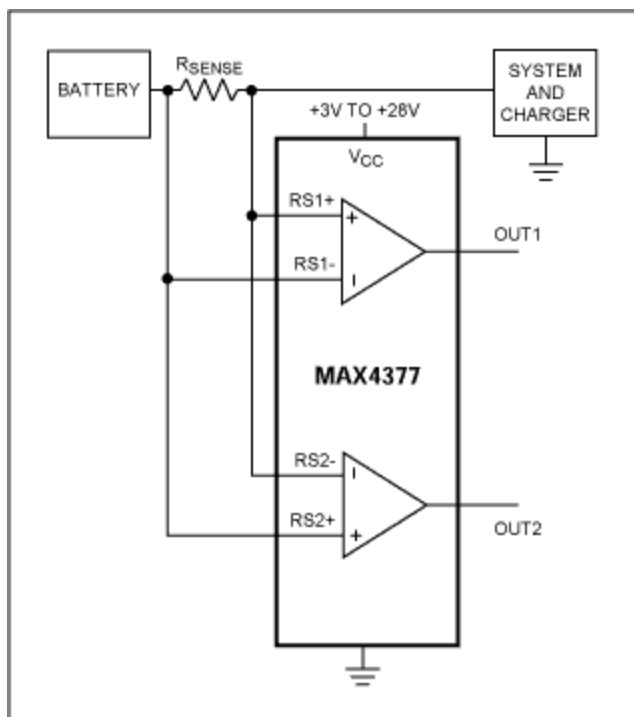


Figure 1.

Output voltage OUT_{-} is proportional to the magnitude of the sense voltage ($V_{RS+} - V_{RS-}$).

OUT₋ is approximately zero when $V_{RS-} > V_{RS+}$.

When $V_{RS+} > V_{RS-}$, $V_{OUT} = (GAIN)(R_{SENSE})(I_{LOAD})$

where GAIN = 20 for MAX4377T.

For example, $R_{SENSE} = 100m\Omega$ and $I_{LOAD} = 1A$ produce, in the case of the MAX4377T, a full-scale output of 2V. However this circuit needs a two channel ADC in order to evaluate the charge and discharge currents. Simply adding a differential amplifier such as the MAX4198 produces a circuit with a single output able to provide the information of charge or discharge current.

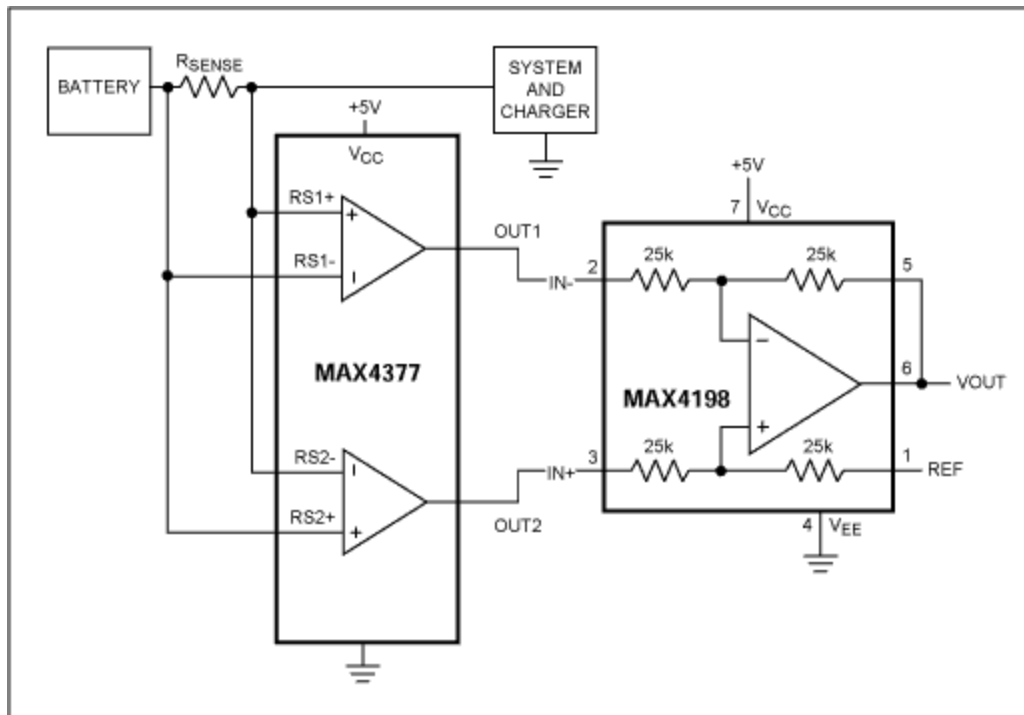


Figure 2.

The output V_{OUT} will be $(OUT2 - OUT1) + REF$. Using a REF voltage of 2.5V we obtain an output swing from 0.5V to 4.5V (from 2.5V to 4.5V for discharge current and from 2.5V to 0.5V for charge current).

New bi-directional current-sense amplifiers such as the MAX4070, include the differential amplifier and reference on-chip.

A similar version of this article appeared in the September 2, 2002 issue of *Mundo Electronico* magazine.

Related Parts

MAX4070	Bidirectional, High-Side, Current-Sense Amplifiers with Reference	Free Samples
MAX4198	Micropower, Single-Supply, Rail-to-Rail Precision Differential Amplifiers	Free Samples

MAX4377

Single/Dual/Quad High-Side Current-Sense Amplifiers
with Internal Gain

[Free Samples](#)

More Information

For Technical Support: <http://www.maximintegrated.com/support>

For Samples: <http://www.maximintegrated.com/samples>

Other Questions and Comments: <http://www.maximintegrated.com/contact>

Application Note 1949: <http://www.maximintegrated.com/an1949>

APPLICATION NOTE 1949, AN1949, AN 1949, APP1949, Appnote1949, Appnote 1949

Copyright © by Maxim Integrated Products

Additional Legal Notices: <http://www.maximintegrated.com/legal>