

6

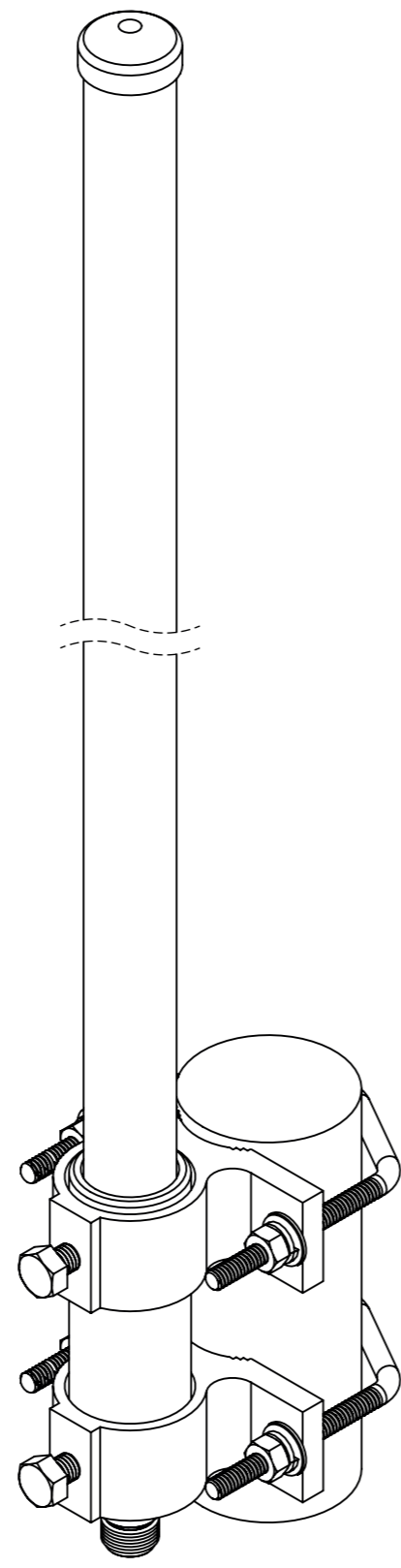
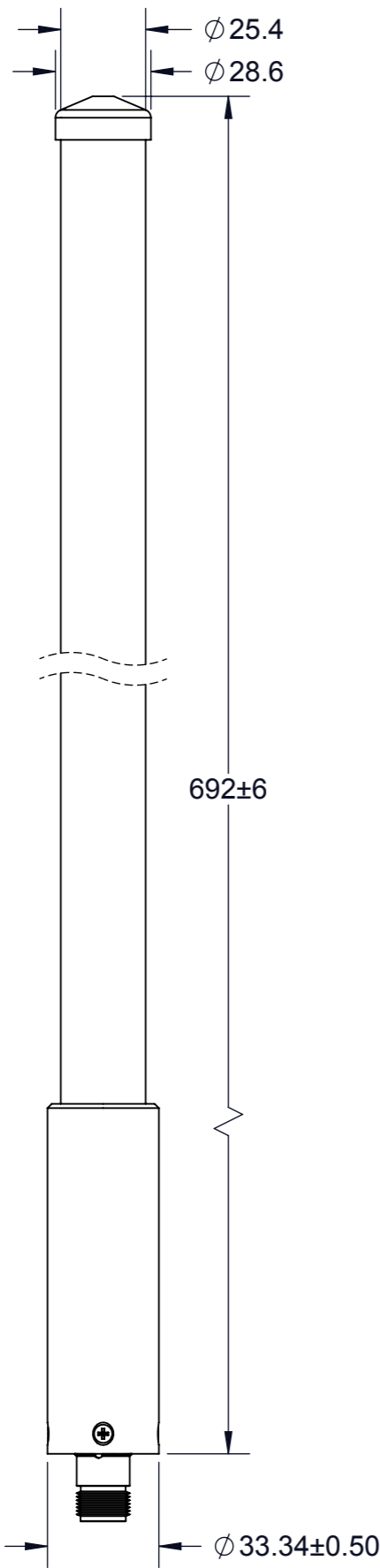
5

4

3


2

1



REVISIONS					
REV.	ECN#	ZONE	DESCRIPTION	CHANGED BY/DATE	APPROVED BY/DATE
F01	ECN-IAS-06119		PRODUCTION RELEASE	S.J. 28MAR17	S.J. 28MAR17

Parameter	Performance	
TE Model Number	OF86315-FNF	
Frequency Bands, MHz	863-876	902-928
Peak Gain (Max), dBi	5.3	5.6
VSWR (Max)	1.65:1	1.65:1
Azimuth 3 dB Beamwidth, °	360	360
Elevation 3 dB Beamwidth, °	28-30	27-29
Azimuth Ripple (Max), dB	0.6	0.8
Impedance, $\Omega$	50	
Polarization	Vertical	
Anti Static Protection	DC Grounded	
Max Power (Ambient 25 °C), Watts	10	
RF Connector	Type N Female	
Weight (With Mounting Kit), kg (lbs)	0.79 (1.7)	
Antenna Color	White	
Radome	Fiberglass	
Wind Operational, km/h (mph)	161 (100)	
Wind Survival, km/h (mph)	266 (165)	
Operational Temperature, °C	-40 to +70	
Storage Temperature, °C	-40 to +85	
Ingress Protection	IP-67	
Material Substance Compliance	RoHS	

<b>MATERIAL:</b> N/A		THIRD ANGLE PROJECTION			
<b>FINISH:</b> N/A		DO NOT SCALE DRAWING			
APPROVALS		DATE		<b>TITLE:</b>  <b>OF86315-FNF</b>	
DRAWN BY	S. JOHNSON	03MAR17			
ELEC. ENG.	J. SKLADANY	29MAR17			
MECH. ENG.	M. MCGINNIS	29MAR17			
MFG./OPS.	B. THATCHER	29MAR17		<b>SIZE</b> <b>A3</b>	
INTERPRET DIMENSIONING AND TOLERANCING IN ACCORDANCE WITH ASME Y14.5M-2009 <b>TOLERANCES UNLESS OTHERWISE SPECIFIED</b> DIMENSIONS ARE IN MILLIMETERS		ANGLE: $\pm 30'$ 0 PLACE DECIMAL: $\pm 0.5$ 1 PLACE DECIMAL: $\pm 0.25$ 2 PLACE DECIMAL: $\pm 0.13$ SURFACE ROUGHNESS $1.6/\sqrt{\quad}$		DWG. NO. <b>OF86315-FNFMO</b>	
THIS DRAWING IS UNPUBLISHED.		RELEASED FOR PUBLICATION		REV <b>F01</b>	
© Copyright 2022 TE Connectivity Ltd.		ALL RIGHTS RESERVED.		SCALE: 1:2 PREVIOUS# SHEET 1 OF 2	

6

5

4

3

2

1

6

5

4

3

2

1

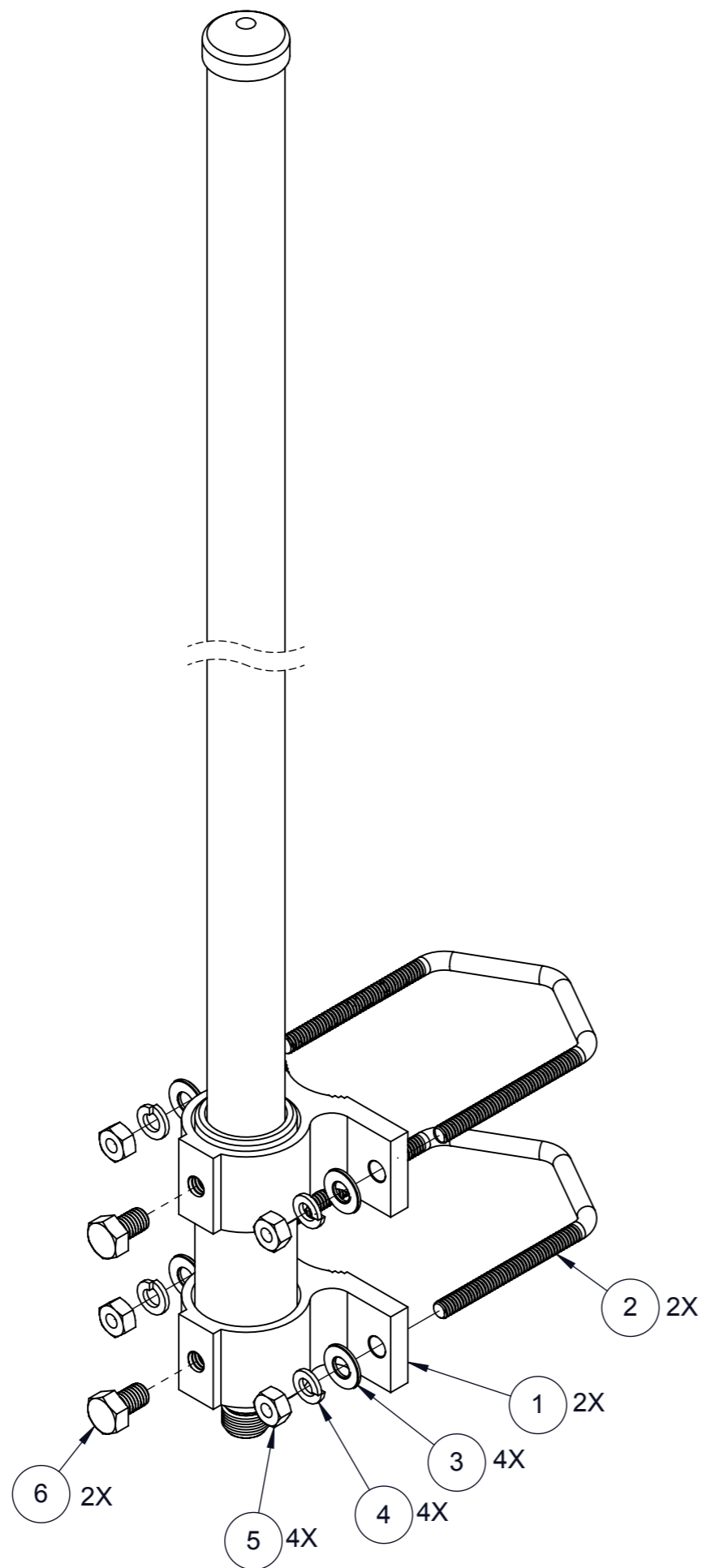
THIS DRAWING IS UNPUBLISHED.

RELEASED FOR PUBLICATION

- , - .

© Copyright 2022 TE Connectivity Ltd.

ALL RIGHTS RESERVED.



6	HWR1200	BOL,HEX,5/16-18x1/2,SS,NF	2
5	HWR2000	1/4" - 20 NUT	4
4	HWR5100	1/4" - 20 LOCK WASHER	4
3	HWR5150	Washer, Flat for 1/4" Hardware	4
2	HWR9150	CLAMP,VBOLT,1/4-20,ST,NF	2
1	ALE5000	BKT,EXT,AL,FOR FM2	2
ITEM NO.	PART NUMBER	DESCRIPTION	QTY



SIZE  
**A3**

DWG. NO.  
**OF86315-FNFMO**

REV  
**F01**

SCALE: 1:2

PREVIOUS#

SHEET 2 OF 2

6

5

4

3

2

1