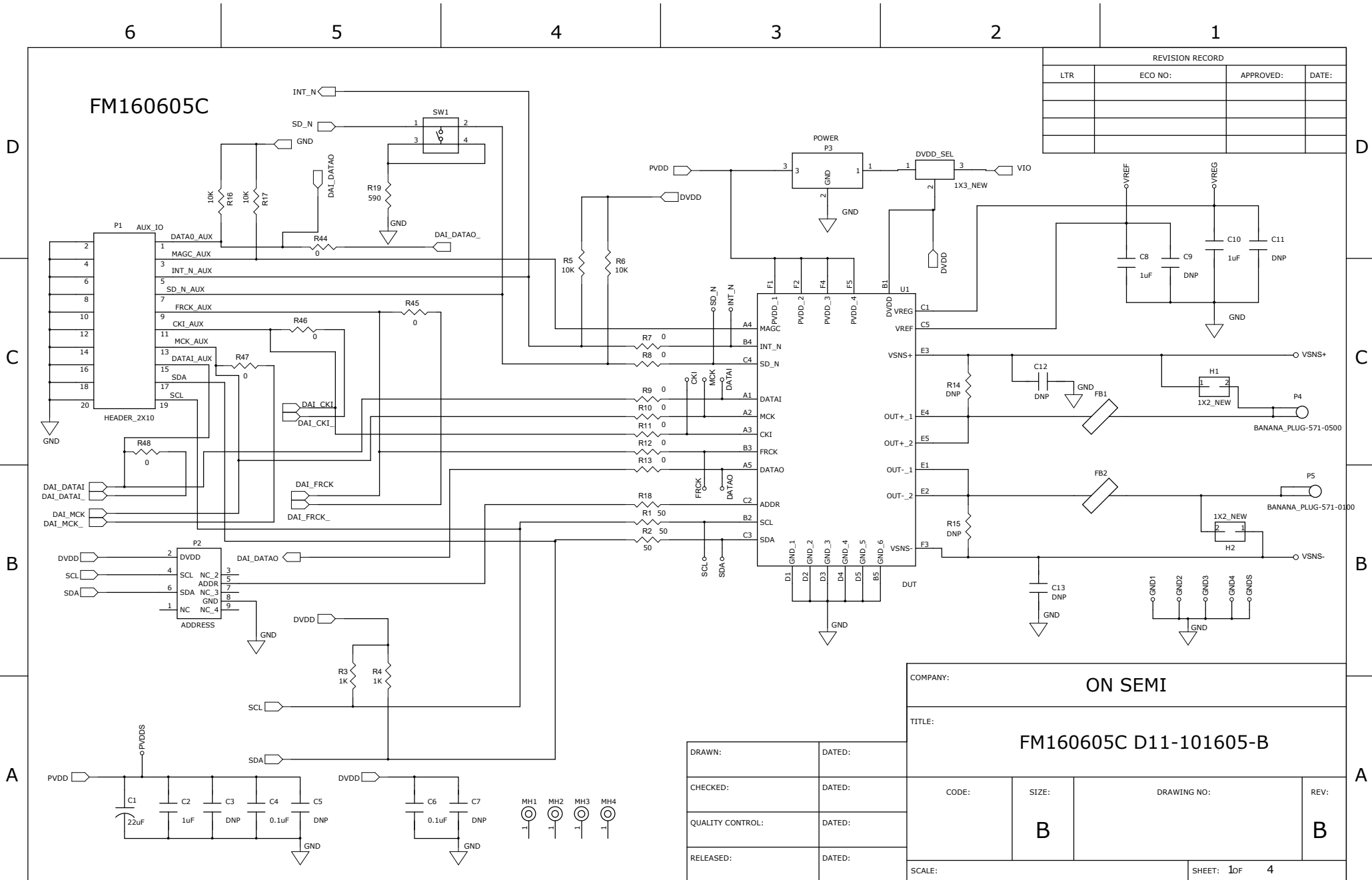


Schematic for the ONA10IVGEB Evaluation Board



COMPANY:				ON SEMI			
TITLE:				FM160605C D11-101605-B			
DRAWN:		DATED:		CODE:	SIZE:	DRAWING NO:	REV:
CHECKED:		DATED:		B		B	
QUALITY CONTROL:		DATED:		SCALE:			
RELEASED:		DATED:		SHEET: 1 OF 4			

6

5

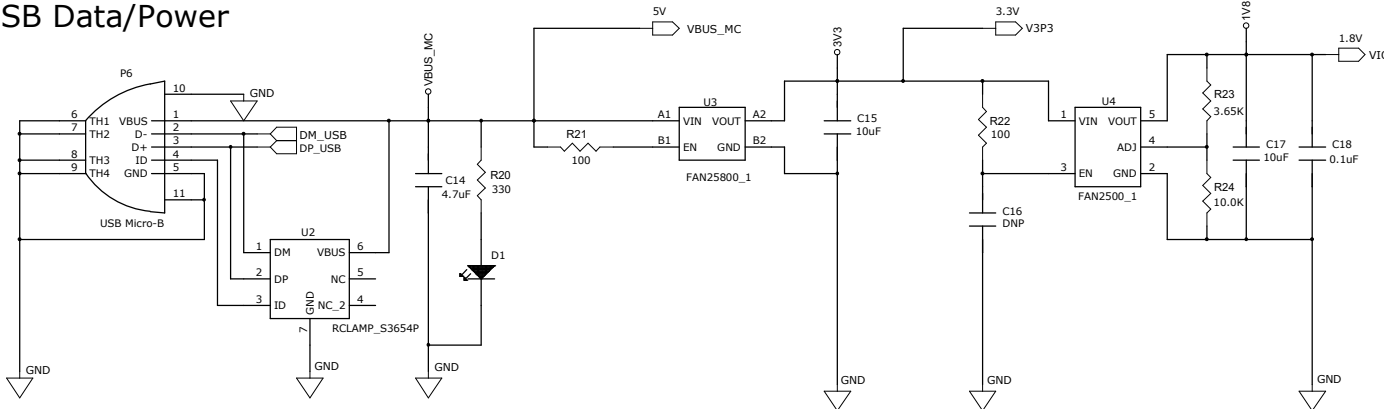
4

3

2

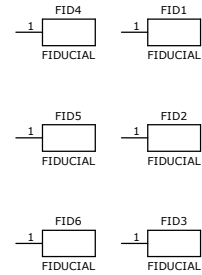
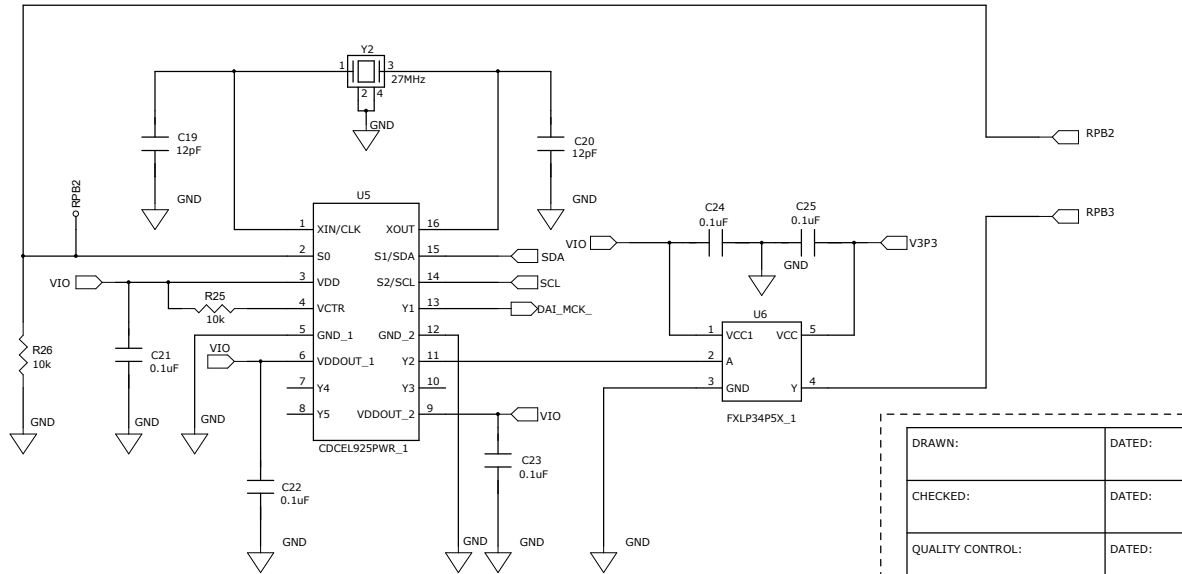
1

USB Data/Power



REVISION RECORD			
LTR	ECO NO:	APPROVED:	DATE:

Reference Clock



COMPANY:				ON SEMI			
TITLE:				FM160605C D11-101605-B			
CODE:	SIZE:	DRAWING NO:		REV:			
	B			B			
SCALE:				SHEET: 2 of 4			

DRAWN:	DATED:
CHECKED:	DATED:
QUALITY CONTROL:	DATED:
RELEASED:	DATED:

D

D

C

C

B

B

A

A

6

5

4

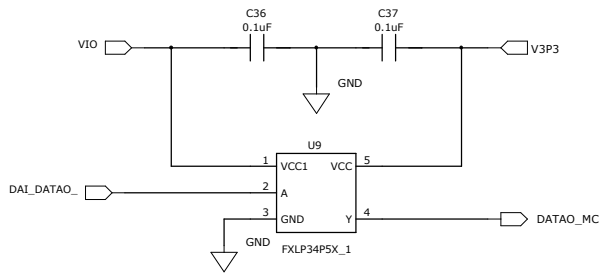
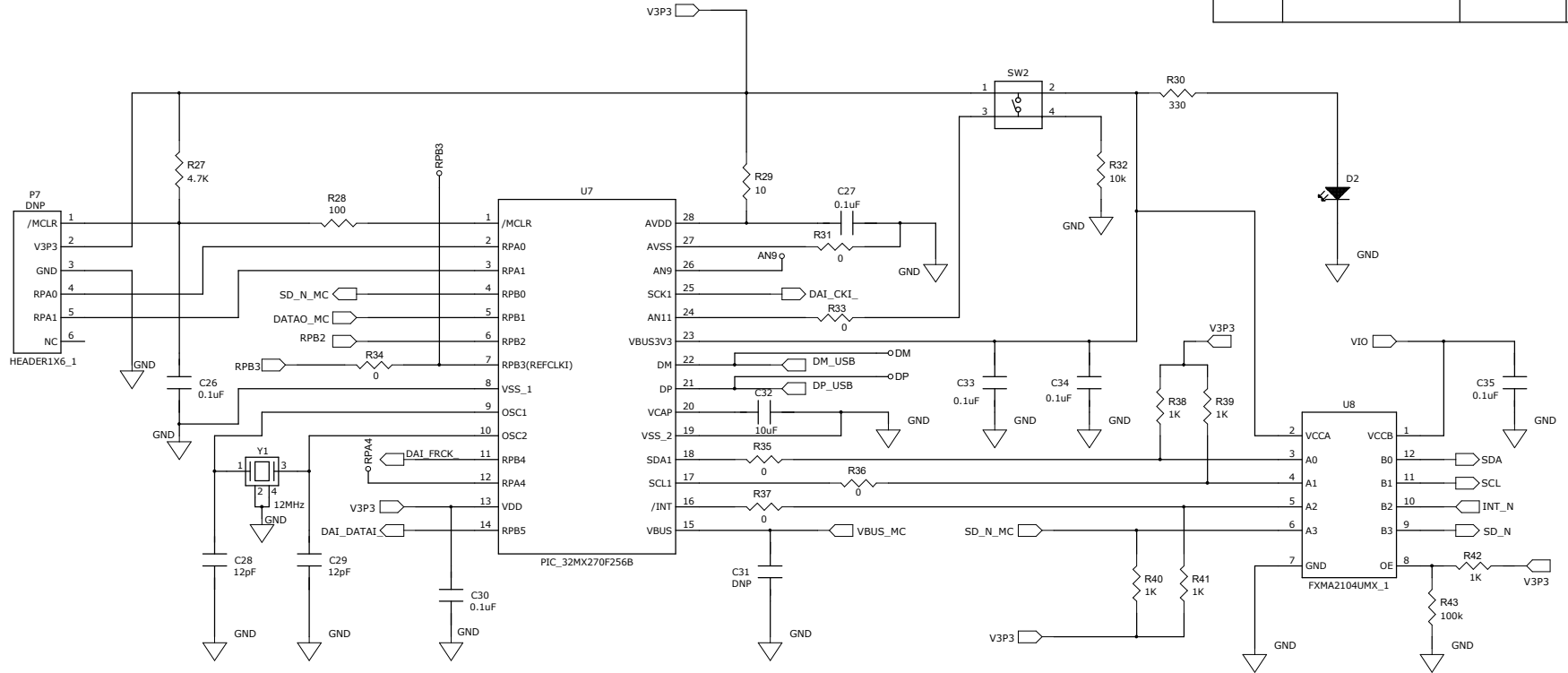
3

2

1

System Controller

REVISION RECORD			
LTR	ECO NO:	APPROVED:	DATE:



COMPANY: ON SEMI			
TITLE: FM160605C D11-101605-B			
DRAWN:	DATED:	CODE:	REV: B
CHECKED:	DATED:	SIZE:	DRAWING NO:
QUALITY CONTROL:	DATED:	REV: B	
RELEASED:	DATED:	SCALE:	SHEET: 3 OF 4

D

D

C

C

B

B

A

A