

SUMMARY

Wires

Low voltage 18



Image is for illustrative purpose only

Series	2G
Termination type	Female solder
IP rating	50
AWG wire size	0.00 - 26.00
Cable Ø	0.00 - 0.00 mm
Status	active
Matching parts	FGG.2G.318.CLAD72

Download

[Request a quote](#)

[Catalog](#)

TECHNICAL DETAILS

Mechanics

Shell Style/Model	PHG*: Free receptacle, cable collet
Keying	1 key (alpha=0, plug: male contacts, receptacle: female contacts)
Housing Material	Brass (chrome plated [SAE AMS 2460]) shell and collet nut, nickel plated [SAE AMS QQ N 290] brass latch sleeve and mid pieces
Weight	21.04 g

Performance

Configuration	2G.318 : 18 Low Voltage
Insulator	L: PEEK (UL 94 / V-0/1.5)
Rated Current	5.5 Amps

Specifications

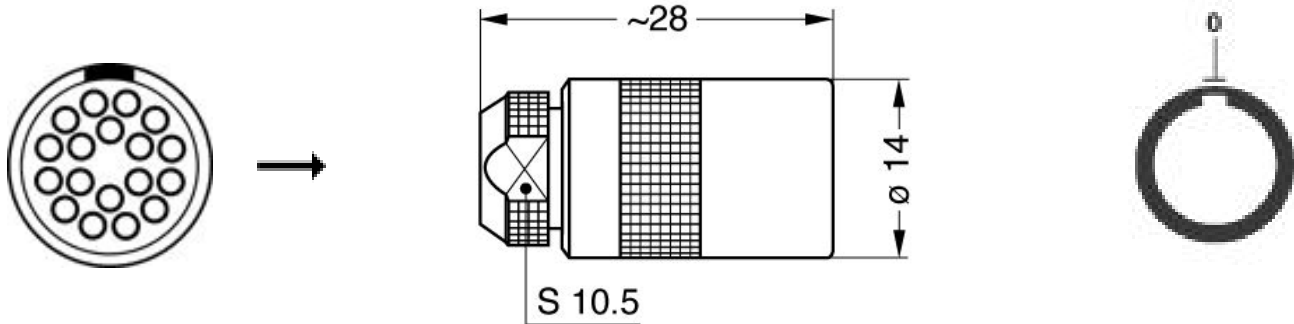
Contact Type: Solder
V_{test} (contact-shell): 1400 V (AC), 2000 V (DC)
V_{test} (contact-contact): 1400 V (AC), 2000 V (DC)

Others

Endurance (Shell): 500 mating cycles
Salt Spray Corrosion: >1000 hr

LEMO products and services are provided "as is". LEMO makes no warranties or representations with regard to LEMO product & services or use of them, express, implied or statutory, including for accuracy, completeness, or security. The user is fully responsible for his products and applications using LEMO components.

DRAWINGS



Dimensions

	A	L	S2
mm.	14	28	10.5
in.	0,55	1,10	0,41

RECOMMENDED BY LEMO

Tools

LEMO products and services are provided "as is". LEMO makes no warranties or representations with regard to LEMO product & services or use of them, express, implied or statutory, including for accuracy, completeness, or security. The user is fully responsible for his products and applications using LEMO components.