

N-Channel Super Junction Power MOSFET II

General Description

The series of devices use advanced super junction technology and design to provide excellent $R_{DS(ON)}$ with low gate charge. This super junction MOSFET fits the industry's AC-DC SMPS requirements for PFC, AC/DC power conversion, and industrial power applications.

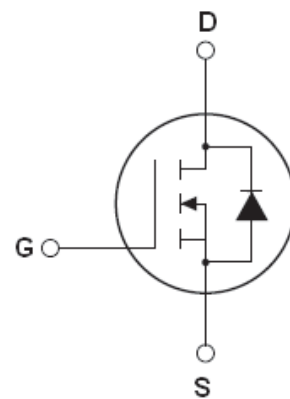
Features

- New technology for high voltage device
- Low on-resistance and low conduction losses
- Small package
- Ultra Low Gate Charge cause lower driving requirements
- 100% Avalanche Tested
- ROHS compliant
- Halogen-free

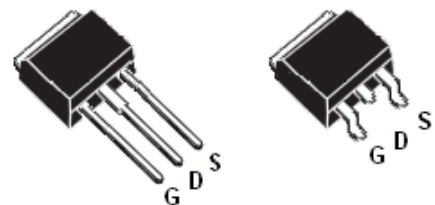
Application

- Power factor correction (PFC)
- Switched mode power supplies(SMPS)
- Uninterruptible Power Supply (UPS)

| | | |
|-----------------|-----|------------|
| V_{DS} | 700 | V |
| $R_{DS(ON)TYP}$ | 820 | m Ω |
| I_D | 5 | A |



Schematic diagram



TO-251

TO-252

Package Marking And Ordering Information

| Device | Device Package | Marking |
|-----------|----------------|---------|
| RM5N700IP | TO-251 | 5N700 |
| RM5N700LD | TO-252 | 5N700 |

Table 1. Absolute Maximum Ratings ($T_C=25^\circ\text{C}$)

| Parameter | Symbol | Value | Unit |
|--|-----------------|----------|---------------------|
| Drain-Source Voltage ($V_{GS}=0V$) | V_{DS} | 700 | V |
| Gate-Source Voltage ($V_{DS}=0V$), AC ($f>1$ Hz) | V_{GS} | ± 30 | V |
| Continuous Drain Current at $T_C=25^\circ\text{C}$ | $I_{D(DC)}$ | 5 | A |
| Continuous Drain Current at $T_C=100^\circ\text{C}$ | $I_{D(DC)}$ | 3 | A |
| Pulsed drain current (Note 1) | $I_{DM(pluse)}$ | 20 | A |
| Maximum Power Dissipation ($T_C=25^\circ\text{C}$) | P_D | 46 | W |
| Derate above 25°C | | 0.37 | W/ $^\circ\text{C}$ |
| Single pulse avalanche energy (Note2) | E_{AS} | 52 | mJ |
| Avalanche current (Note 1) | I_{AR} | 0.9 | A |
| Repetitive Avalanche energy, t_{AR} limited by T_{Jmax} (Note 1) | E_{AR} | 0.14 | mJ |

| Parameter | Symbol | Value | Unit |
|--|----------------|------------|------|
| Drain Source voltage slope, $V_{DS} \leq 480 V$, | dv/dt | 50 | V/ns |
| Reverse diode dv/dt, $V_{DS} \leq 480 V, I_{SD} < I_D$ | dv/dt | 15 | V/ns |
| Operating Junction and Storage Temperature Range | T_J, T_{STG} | -55...+150 | °C |

Table 2. Thermal Characteristic

| Parameter | Symbol | Value | Unit |
|---|------------|-------|------|
| Thermal Resistance, Junction-to-Case (Maximum) | R_{thJC} | 2.72 | °C/W |
| Thermal Resistance, Junction-to-Ambient (Maximum) | R_{thJA} | 75 | °C/W |

Table 3. Electrical Characteristics (TA=25°C unless otherwise noted)

| Parameter | Symbol | Condition | Min | Typ | Max | Unit |
|--|--------------|---|-----|------|-----------|------------|
| On/off states | | | | | | |
| Drain-Source Breakdown Voltage | BV_{DSS} | $V_{GS}=0V, I_D=250\mu A$ | 700 | | | V |
| Zero Gate Voltage Drain Current($T_C=25^\circ C$) | I_{DSS} | $V_{DS}=700V, V_{GS}=0V$ | | | 1 | μA |
| Zero Gate Voltage Drain Current($T_C=125^\circ C$) | I_{DSS} | $V_{DS}=700V, V_{GS}=0V$ | | | 50 | μA |
| Gate-Body Leakage Current | I_{GSS} | $V_{GS}=\pm 20V, V_{DS}=0V$ | | | ± 100 | nA |
| Gate Threshold Voltage | $V_{GS(th)}$ | $V_{DS}=V_{GS}, I_D=250\mu A$ | 3 | | 4 | V |
| Drain-Source On-State Resistance | $R_{DS(on)}$ | $V_{GS}=10V, I_D=2.5A$ | | 820 | 950 | m Ω |
| Dynamic Characteristics | | | | | | |
| Input Capacitance | C_{iss} | $V_{DS}=50V, V_{GS}=0V,$ $F=1.0MHz$ | | 370 | | pF |
| Output Capacitance | C_{oss} | | | 25 | | pF |
| Reverse Transfer Capacitance | C_{rss} | | | 0.5 | | pF |
| Total Gate Charge | Q_g | $V_{DS}=480V, I_D=5A,$ $V_{GS}=10V$ | | 10.5 | 15 | nC |
| Gate-Source Charge | Q_{gs} | | | 2.6 | | nC |
| Gate-Drain Charge | Q_{gd} | | | 5.3 | | nC |
| Switching times | | | | | | |
| Turn-on Delay Time | $t_{d(on)}$ | $V_{DD}=420V, I_D=3A,$ $R_G=5\Omega, V_{GS}=10V$ | | 8 | | nS |
| Turn-on Rise Time | t_r | | | 4 | | nS |
| Turn-Off Delay Time | $t_{d(off)}$ | | | 55 | | nS |
| Turn-Off Fall Time | t_f | | | 11 | | nS |
| Source- Drain Diode Characteristics | | | | | | |
| Source-drain current(Body Diode) | I_{SD} | $T_C=25^\circ C$ | | | 5 | A |
| Pulsed Source-drain current(Body Diode) | I_{SDM} | | | | 20 | A |
| Forward on voltage | V_{SD} | $T_J=25^\circ C, I_{SD}=5A, V_{GS}=0V$ | | 0.9 | 1.2 | V |
| Reverse Recovery Time | t_{rr} | $T_J=25^\circ C, I_F=2.5A, di/dt=100A/\mu s$ | | 210 | | nS |
| Reverse Recovery Charge | Q_{rr} | | | 0.66 | | μC |
| Peak reverse recovery current | I_{rrm} | | | 6.5 | | A |

Notes: 1.Repetitive Rating: Pulse width limited by maximum junction temperature

2. $T_J=25^\circ C, V_{DD}=50V, V_G=10V, R_G=25\Omega$

RATING AND CHARACTERISTICS CURVES (RM5N700IP/RM5N700LD)

Figure1. Safe operating area

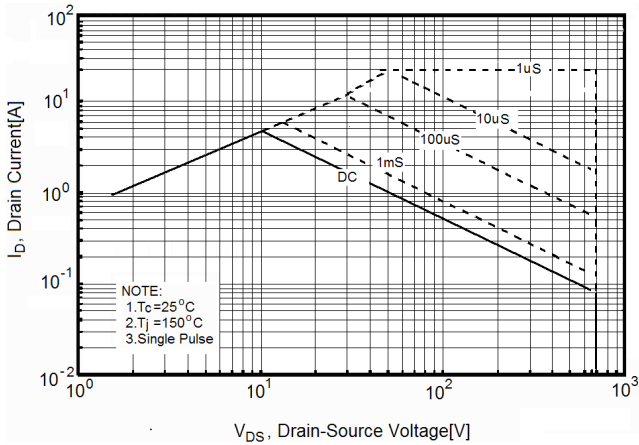


Figure2. Source-Drain Diode Forward Voltage

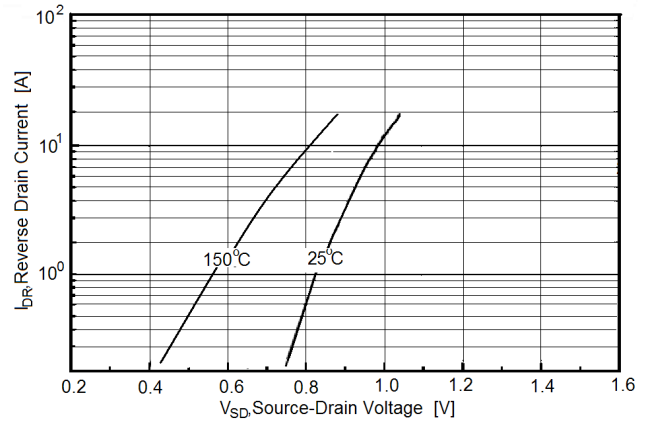


Figure3. Output characteristics

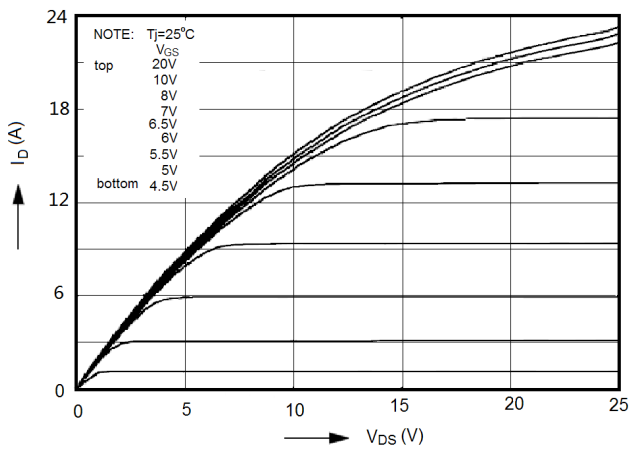


Figure4. Transfer characteristics

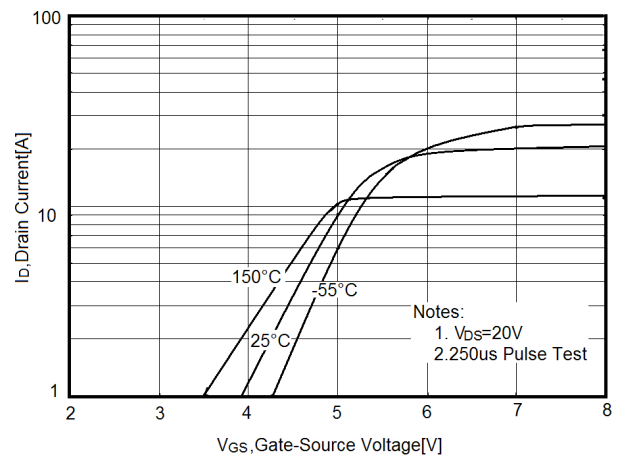


Figure5. Static drain-source on resistance

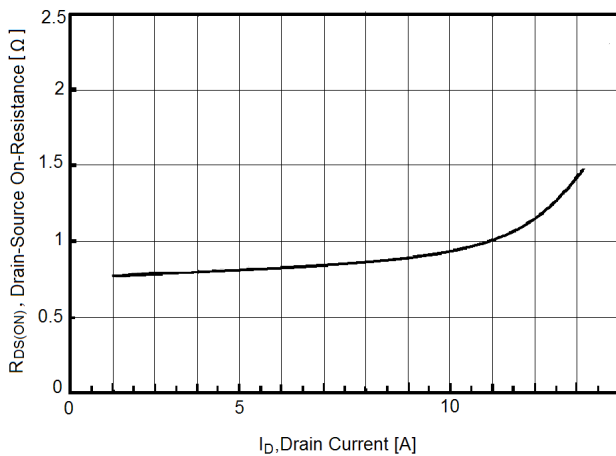
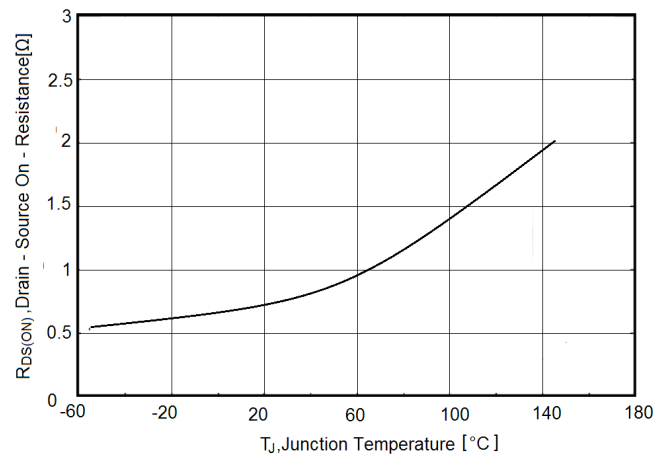


Figure6. $R_{DS(ON)}$ vs Junction Temperature



RATING AND CHARACTERISTICS CURVES (RM5N700IP/RM5N700LD)

Figure7. BV_{DSS} vs Junction Temperature

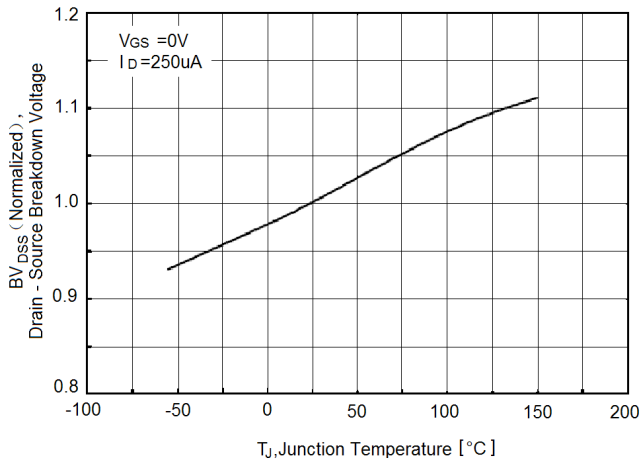


Figure9. Gate charge waveforms

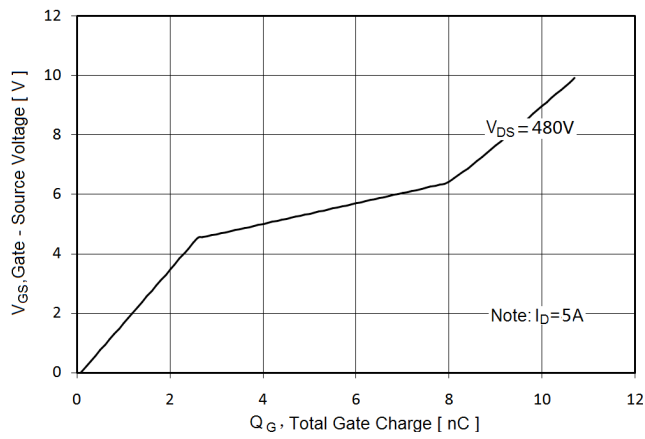


Figure11. Transient Thermal Impedance

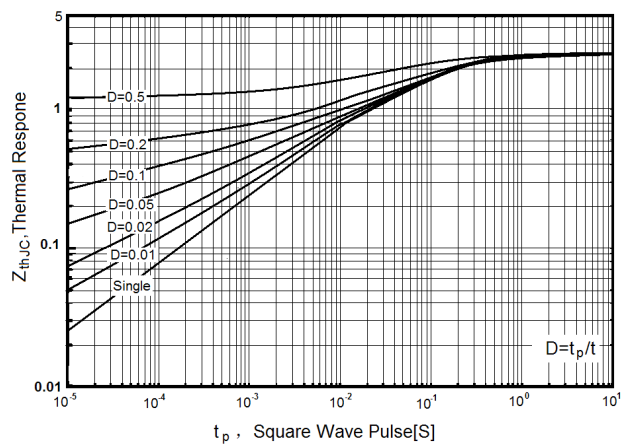


Figure8. Maximum I_D vs Junction Temperature

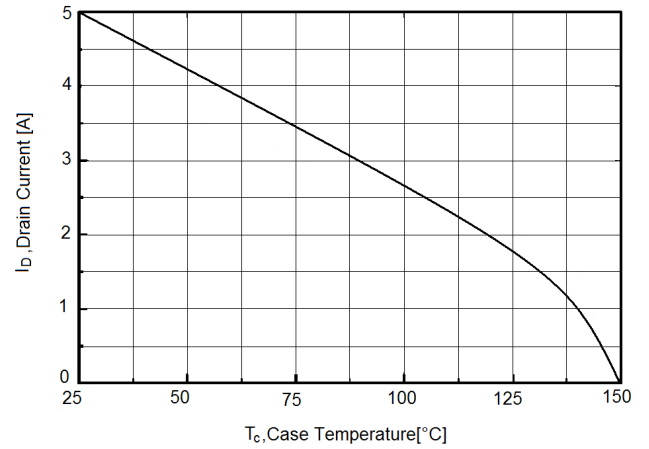
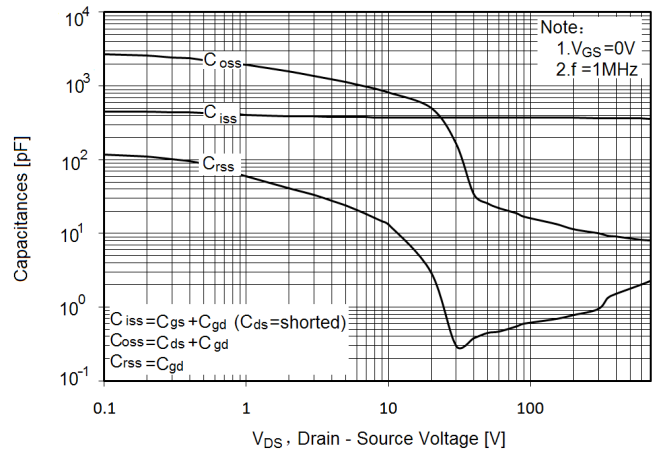
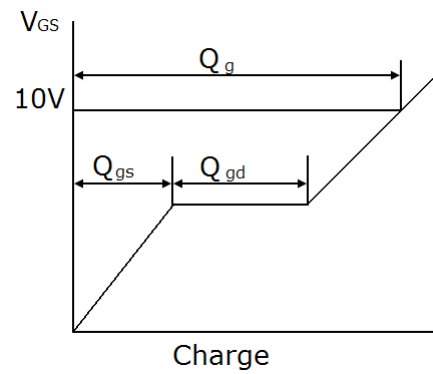
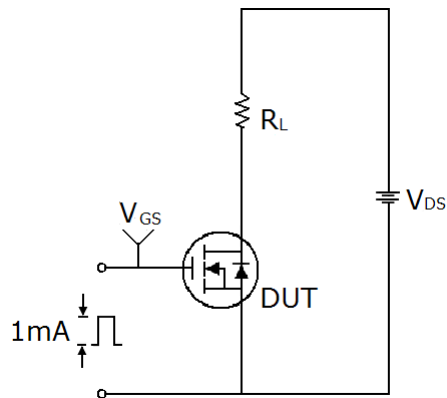


Figure10. Capacitance

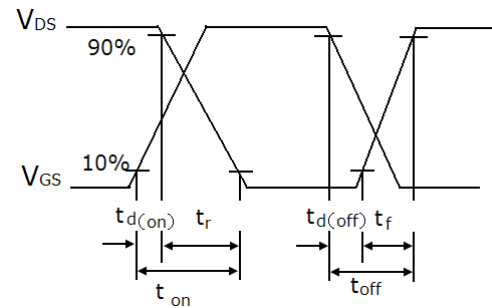
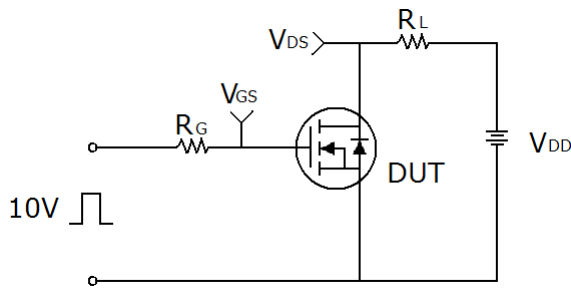


Test circuit

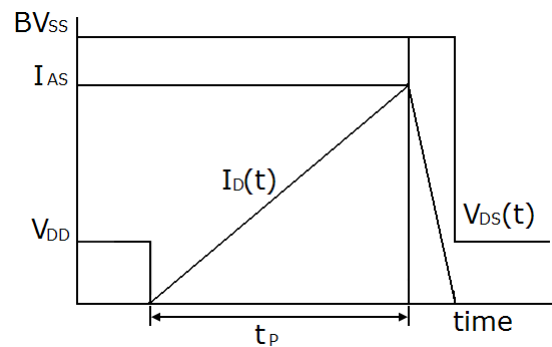
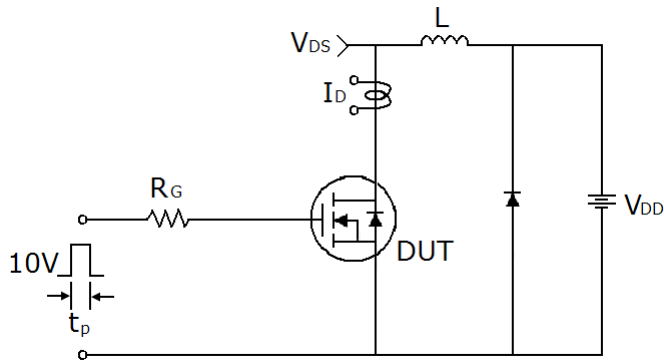
1) Gate charge test circuit & Waveform



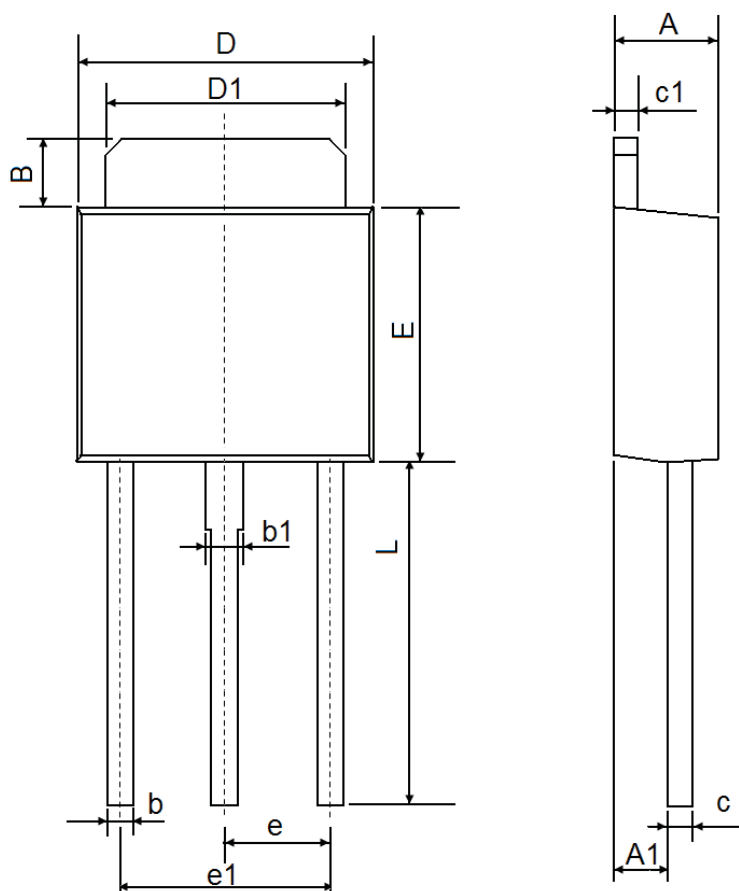
2) Switch Time Test Circuit:



3) Unclamped Inductive Switching Test Circuit & Waveforms

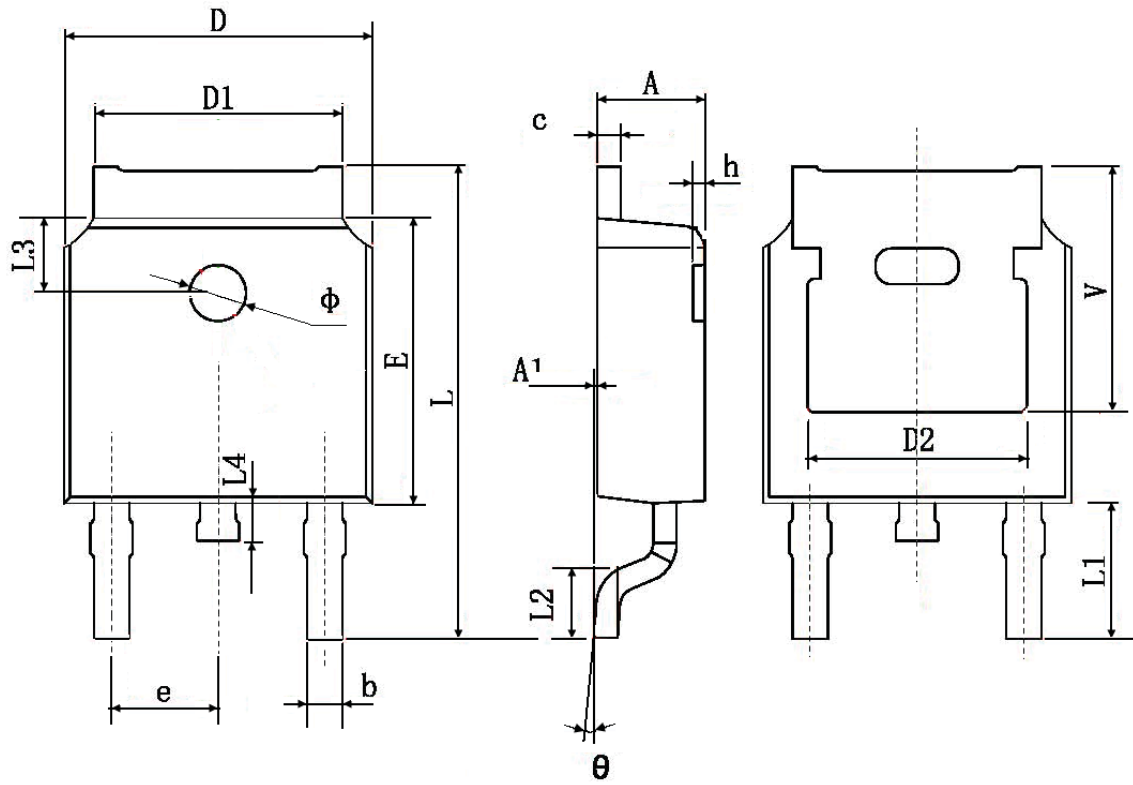


TO-251 Package Information



| Symbol | Dimensions In Millimeters | | Dimensions In Inches | |
|--------|---------------------------|-------|----------------------|-------|
| | Min. | Max. | Min. | Max. |
| A | 2.200 | 2.400 | 0.087 | 0.094 |
| A1 | 1.050 | 1.350 | 0.042 | 0.054 |
| B | 1.350 | 1.650 | 0.053 | 0.065 |
| b | 0.500 | 0.700 | 0.020 | 0.028 |
| b1 | 0.700 | 0.900 | 0.028 | 0.035 |
| c | 0.430 | 0.580 | 0.017 | 0.023 |
| c1 | 0.430 | 0.580 | 0.017 | 0.023 |
| D | 6.350 | 6.650 | 0.250 | 0.262 |
| D1 | 5.200 | 5.400 | 0.205 | 0.213 |
| E | 5.400 | 5.700 | 0.213 | 0.224 |
| e | 2.300 TYP | | 0.091 TYP | |
| e1 | 4.500 | 4.700 | 0.177 | 0.185 |
| L | 7.500 | 7.900 | 0.295 | 0.311 |

TO-252 Package Information



| Symbol | Dimensions In Millimeters | | Dimensions In Inches | |
|--------|---------------------------|--------|----------------------|-------|
| | Min. | Max. | Min. | Max. |
| A | 2.200 | 2.400 | 0.087 | 0.094 |
| A1 | 0.000 | 0.127 | 0.000 | 0.005 |
| b | 0.660 | 0.860 | 0.026 | 0.034 |
| c | 0.460 | 0.580 | 0.018 | 0.023 |
| D | 6.500 | 6.700 | 0.256 | 0.264 |
| D1 | 5.100 | 5.460 | 0.201 | 0.215 |
| D2 | 0.483 TYP. | | 0.190 TYP. | |
| E | 6.000 | 6.200 | 0.236 | 0.244 |
| e | 2.186 | 2.386 | 0.086 | 0.094 |
| L | 9.800 | 10.400 | 0.386 | 0.409 |
| L1 | 2.900 TYP. | | 0.114 TYP. | |
| L2 | 1.400 | 1.700 | 0.055 | 0.067 |
| L3 | 1.600 TYP. | | 0.063 TYP. | |
| L4 | 0.600 | 1.000 | 0.024 | 0.039 |
| phi | 1.100 | 1.300 | 0.043 | 0.051 |
| theta | 0° | 8° | 0° | 8° |
| h | 0.000 | 0.300 | 0.000 | 0.012 |
| V | 5.350 TYP. | | 0.211 TYP. | |

DISCLAIMER NOTICE

Rectron Inc reserves the right to make changes without notice to any product specification herein, to make corrections, modifications, enhancements or other changes. Rectron Inc or anyone on its behalf assumes no responsibility or liability for any errors or inaccuracies. Data sheet specifications and its information contained are intended to provide a product description only. "Typical" parameters which may be included on RECTRON data sheets and/ or specifications can and do vary in different applications and actual performance may vary over time. Rectron Inc does not assume any liability arising out of the application or use of any product or circuit.

Rectron products are not designed, intended or authorized for use in medical, life-saving implant or other applications intended for life-sustaining or other related applications where a failure or malfunction of component or circuitry may directly or indirectly cause injury or threaten a life without expressed written approval of Rectron Inc. Customers using or selling Rectron components for use in such applications do so at their own risk and shall agree to fully indemnify Rectron Inc and its subsidiaries harmless against all claims, damages and expenditures.