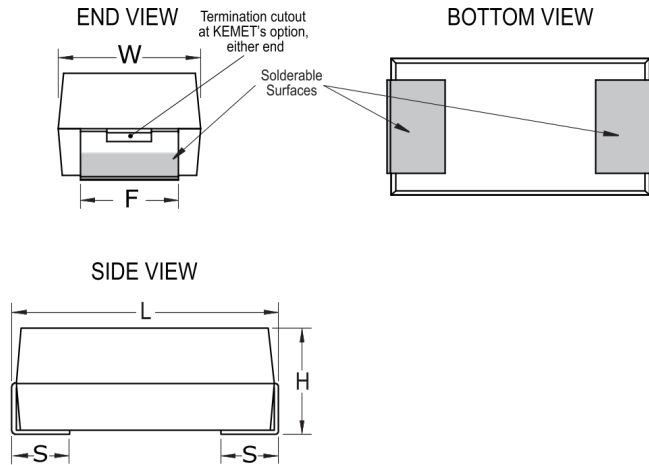


T493B226M010BH6110

Aliases (DLA Drawing 07016-033MBHZ)

T493 HRA, Tantalum, MnO2 Tantalum, HRA, 22 uF, 20%, 10 VDC, SMD, MnO2, Molded, DLA Drawing, B (0.1%/1000 Hrs), 3 Ohms, 3528, Height Max = 2.1mm



Click [here](#) for the 3D model.

Dimensions

Footprint	3528
L	3.5mm +/-0.2mm
W	2.8mm +/-0.2mm
H	1.9mm +/-0.2mm
S	0.8mm +/-0.3mm
F	2.2mm +/-0.1mm

Packaging Specifications

Packaging	T&R, 178mm
Packaging Quantity	2000

General Information

Series	T493 HRA
Dielectric	MnO2 Tantalum
Style	SMD Chip
Description	SMD, MnO2, Molded, DLA Drawing
RoHS	No
Prop 65	⚠ WARNING: Cancer and reproductive harm - http://www.p65warnings.ca.gov
SCIP Number	1dd2e1b8-26dd-4d52-927c-6f9d519011aa
Termination	Solder Coated
AEC-Q200	No
Component Weight	102.3 mg

Specifications

Capacitance	22 uF
Capacitance Tolerance	20%
Voltage DC	10 VDC (85C), 6.7 VDC (125C)
Temperature Range	-55/+125°C
Rated Temperature	85°C
Dissipation Factor	6% 120Hz 25C
Failure Rate	B (0.1%/1000 Hrs)
Resistance	3 Ohms (100kHz 25C)
Ripple Current	348 mA (rms, 100kHz 25C)
Leakage Current	2.2 uA (5min 25°C)
Testing and Reliability	Standard Testing Only