

Printed on 12 Aug 2021 17:18 (China Standard Time) from IE342765

ITEM	DESCRIPTION	MATERIAL	COMMENTS
1	MALE POWER CONTACT	COPPER ALLOY	30U'' GOLD PLATED TO CONTACT AREA
2	MALE SIGNAL CONTACT	COPPER ALLOY	30U'' GOLD PLATING TO CONTACT AREA
3	PLASTIC INSERT	NYLON	BLACK
4	MALE METAL BODY	ZINC ALLOY	NICKEL PLATED
5	NUT	COPPER ALLOY	NICKEL PLATED
6	OVER-MOLDING HANDLE	POLYAMIDE	BLACK
7	LABEL	-	-
8	SPE CABLE	PUR JACKET	BLACK

REVISIONS				
P	LTR	DESCRIPTION	DATE	APVD
	A	INITIAL RELEASE	12AUG2021	HH CW

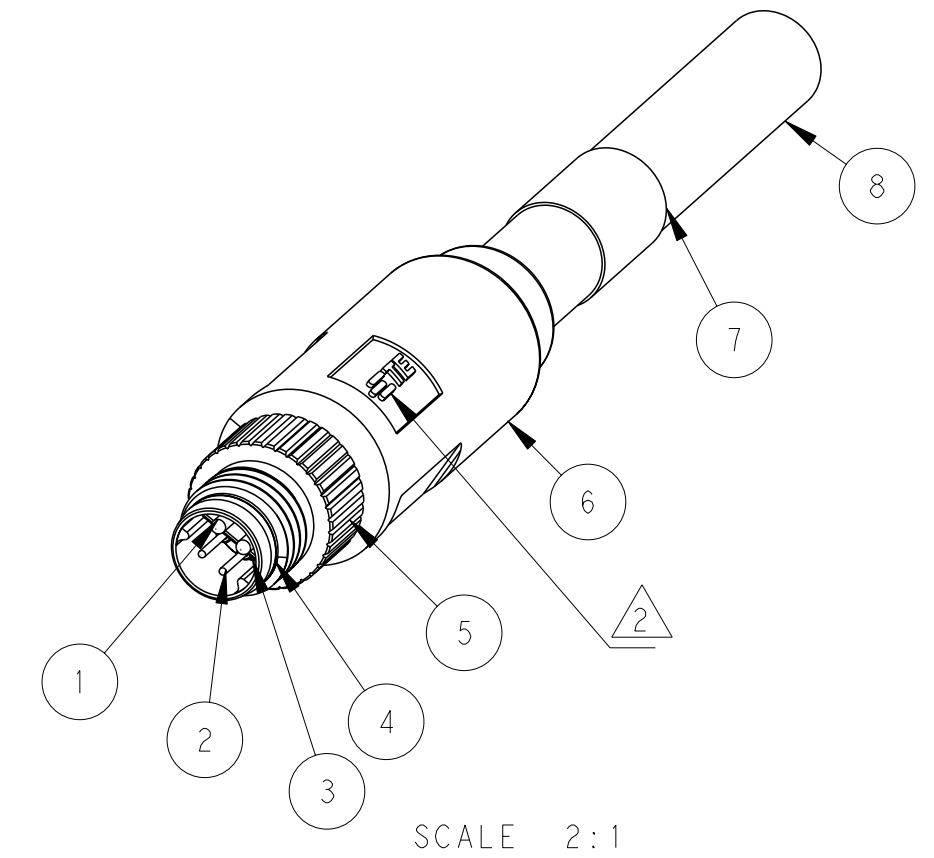
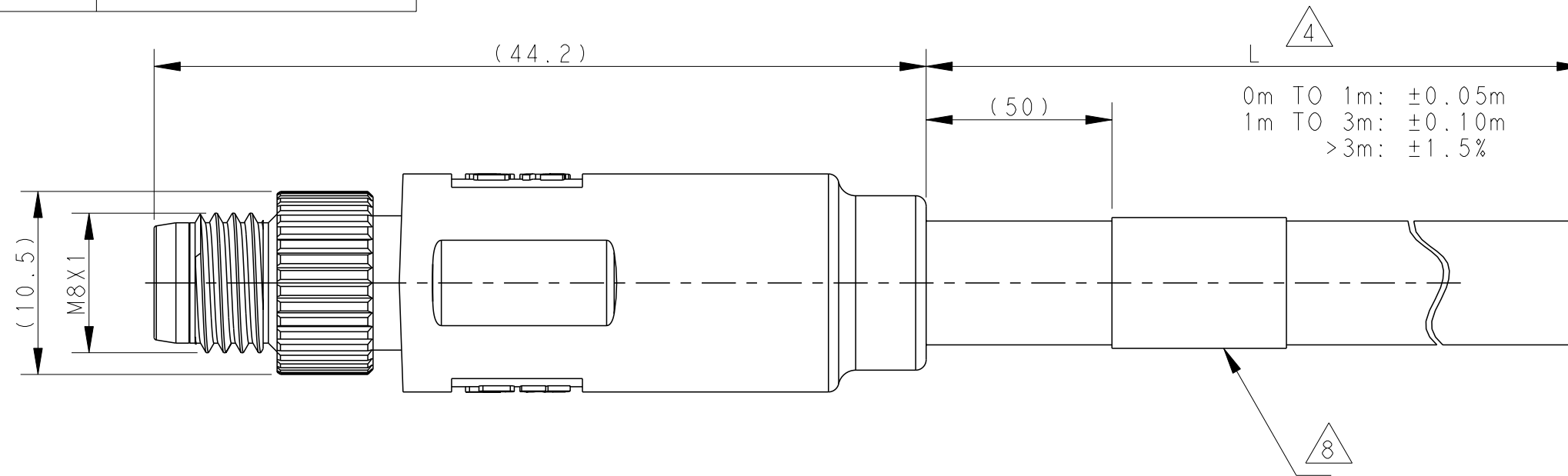
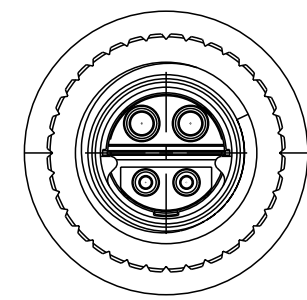


TABLE 1

TECHNICAL DATA	TB1141D4722-XXX
VOLTAGE PROOF	1000VDC (ADJACENT CONTACT) 2250VDC (CONTACT TO SHIELDED)
RATED VOLTAGE	60VDC MAX.
RATED CURRENT	8A MAX. (POWER CONTACT) 4A MAX. (SIGNAL CONTACT)
OVERVOLTAGE CATEGORY	II
MATERIAL GROUP	I
DEGREE OF PROTECTION (MATING CONDITION)	IP67
TEMPERATURE RATING	-40°C~85°C

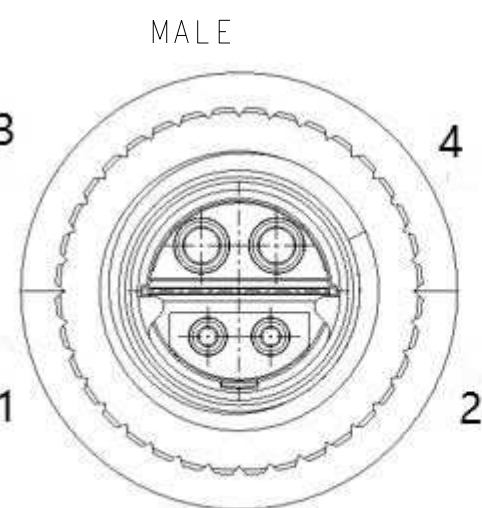
NOTES:

1. TECHNICAL DATA: SEE TABLE 1
2. LOGO AREA.
3. RECOMMENDED MATING TORQUE: 0.4Nm
4. -XXX REFER TO LENGTH "L"
5. 100% OPEN AND SHORT CIRCUIT TEST
6. CABLE ASSEMBLY TO BE PACKED IN POLYBAGS.
7. PRODUCT COMPLIES WITH IEC 63171-6 ED2
8. LABEL CONTAINS: PN AND DATE CODE
9. PRODUCT COMPLIES WITH ROHS AND REACH.

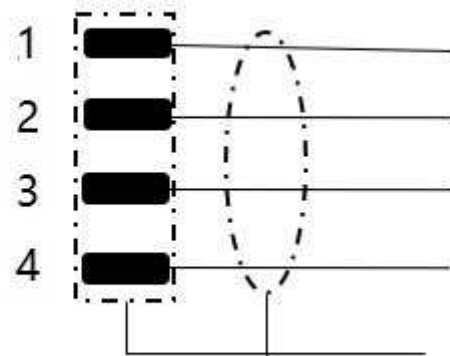
CONTACT ARRANGEMENT

- 1-BLUE WIRE
- 2-WHITE WIRE
- 3-RED WIRE
- 4-BLACK WIRE

SPE CABLE: WIRES: 2X22AWG+2X18AWG WIRE COLOR: BLUE/WHITE/BLACK/RED OD: APPROX. 7.1MM	TYPICAL LENGTH: -001: 0.5m -002: 1.0m -004: 3.0m -005: 5.0m -007: 10.0m -150: 15.0m -400: 40.0m	BLACK	PUR	SPE T1 INDUSTRIAL M8 HYBRID IP67 CABEL ASSEMBLY, MALE, STRAIGHT, SINGLE END	RPC-M8-MS-4CON-PUR-**SH	4	TB1141D4722-XXX
CABLE CHARACTERISTIC	CABLE LENGTH "L" ⁴	CABLE JACKET COLOR	CABLE JACKET MATERIAL	DESCRIPTION	TYPE	POS.	PART NUMBER



CIRCUIT DIAGRAM MALE



THIS DRAWING IS A CONTROLLED DOCUMENT.

DIMENSIONS: mm	TOLERANCES UNLESS OTHERWISE SPECIFIED:	DWN: HE HART 29 JUN 2020	TE Connectivity
	0 PLC ±	CHK: WANG CHRIS 29 JUN 2020	
	1 PLC ±	APVD: WANG CHRIS 29 JUN 2020	
	2 PLC ±	PRODUCT SPEC: 108-137521	
MATERIAL: -	FINISH: -	APPLICATION SPEC: 114-137144-1	NAME: SPE T1 INDUSTRIAL M8 HYBRID IP67 CABEL ASSEMBLY, MALE, STRAIGHT, SINGLE END
		WEIGHT: -	SIZE: A2
		CUSTOMER DRAWING	SCALE: 3:1 SHEET 1 OF 1 REV A