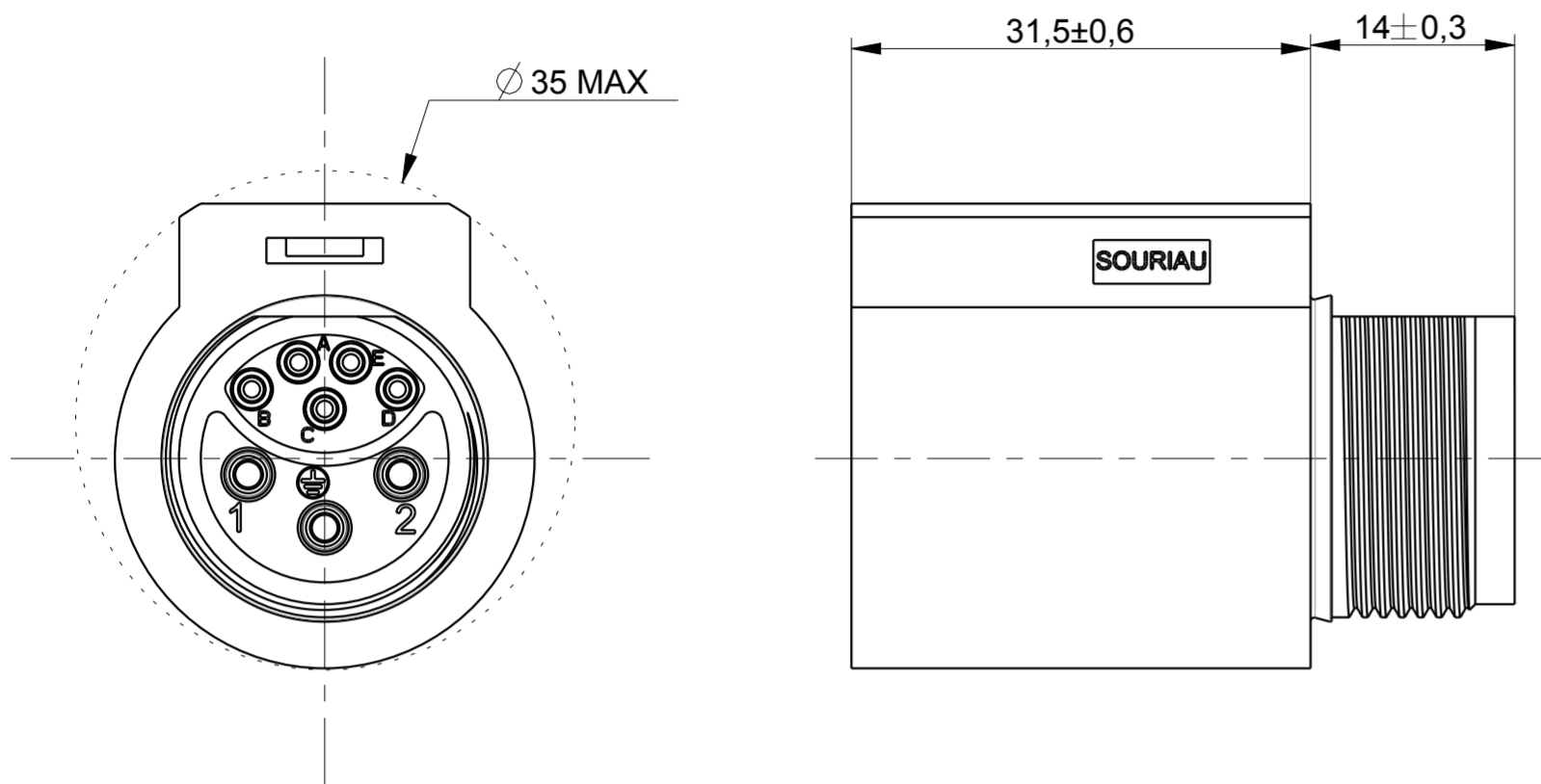
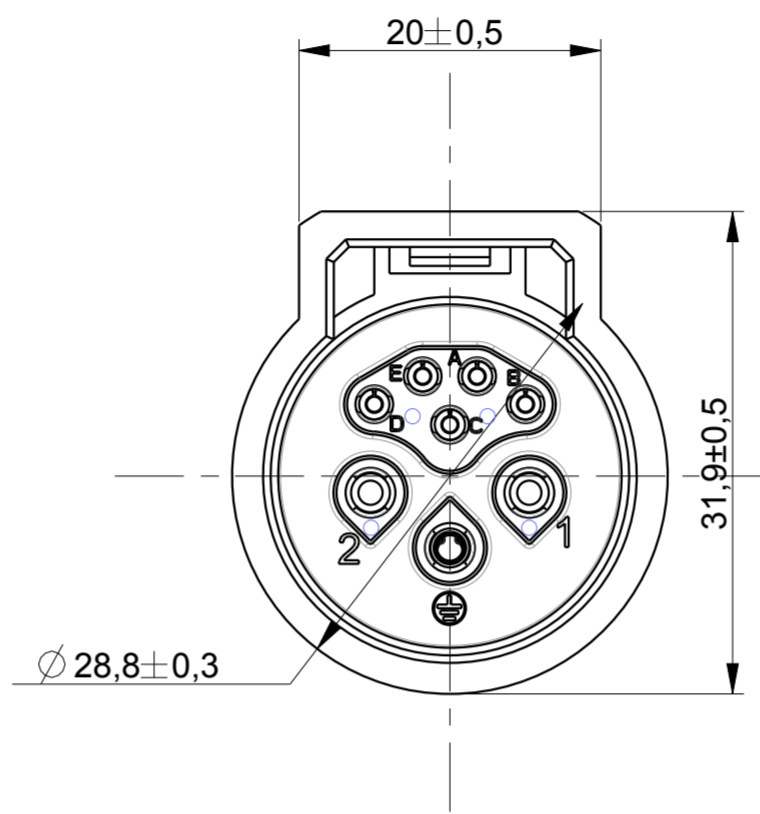


WIRING FACE



MATING FACE



MATERIALS

HOUSING: PA GF REINFORCED, BLACK COLOR

PERFORMANCES CHARACTERISTICS

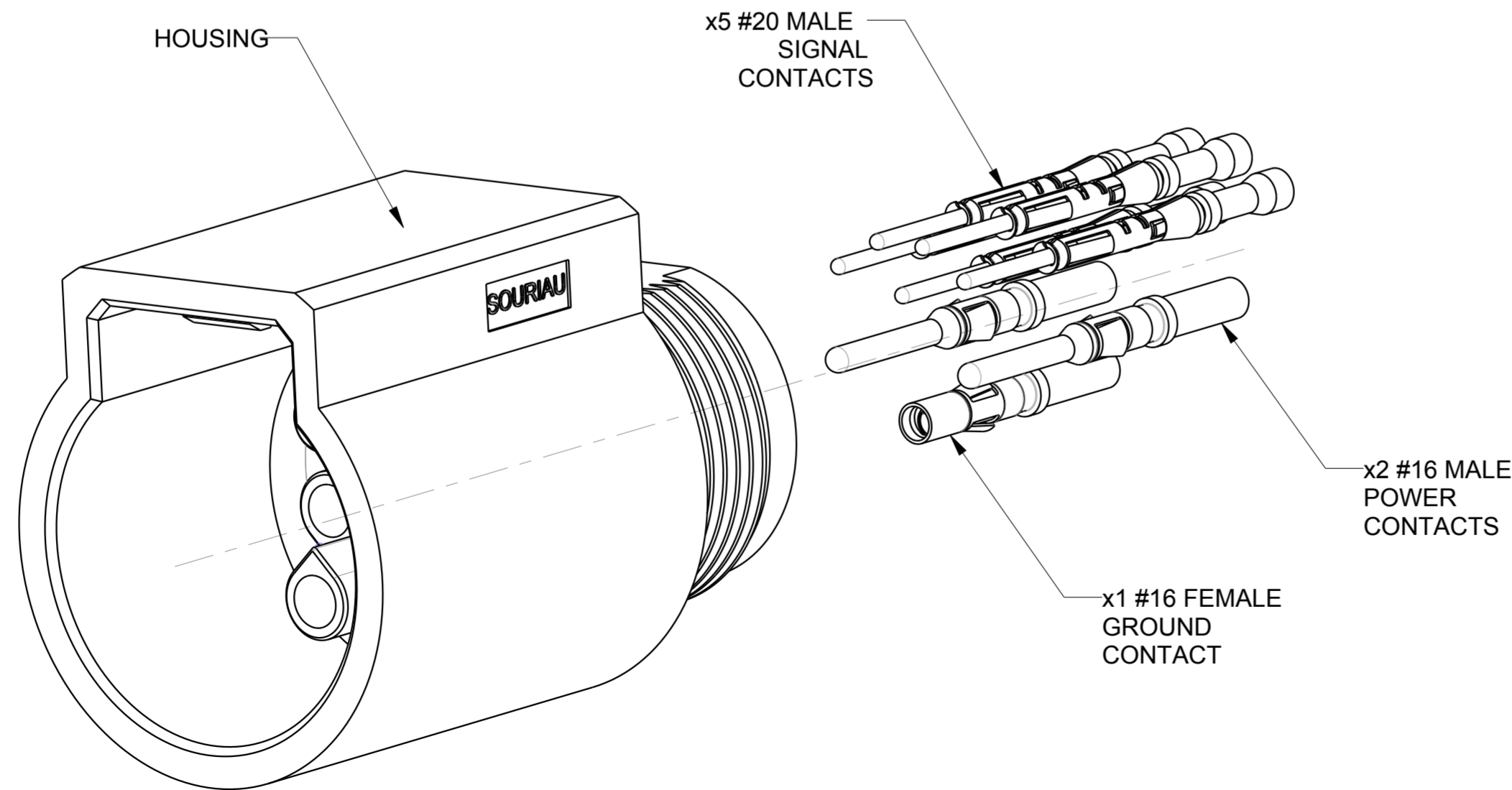
- MECHANICAL		
TEMPERATURE CLASS	IEC61984/UL1977	-40°C TO 105°C
DURABILITY	IEC61984	500 MATE / UNMATE CYCLES
SEALING IN MATED CONDITIONS	IEC60529	IP68 1BAR DURING 1WEEK
	DIN40050	IP69K
SEALING IN UNMATED CONDITIONS	IEC60529	IP67 WITH CAPS
POLLUTION DEGREE	IEC61984	4
CORROSION SALT SPRAY		MIN 1000H
FLAMMABILITY	UL94	MATERIAL RATING: 5VA
OUTDOOR SUITABILITY (UV RESIST)	UL746C	MATERIAL RATING: (f1)
SCOOP PROOF		
- ELECTRICAL		
TOUCH PROOF	IEC60529	IP2X
POWER AND GROUND LINES:		
NOMINAL CURRENT	UL1977	16A WITH AWG14 WIRE / 13A WITH AWG16 WIRE
NOMINAL CURRENT	IEC61984	16A WITH 2.5MM² WIRE / 13A WITH 1.5MM² WIRE AT 60°C
NOMINAL VOLTAGE	UL1977	600V
NOMINAL VOLTAGE	IEC61984	250VAC 4KV 4 FOR CLASS II
	IEC61984	500VAC 6KV 4 FOR CLASS I
SIGNAL CONTACT (a,b,c,d,e) LINES:		
NOMINAL VOLTAGE	IEC61984	48V AC
NOMINAL CURRENT	IEC61984	5A

ROHS COMPLIANT

NOTES

- COUNTERPART REFERENCE UTL PLUG
- CONNECTORS ARE DELIVERED AS PRE-ASSEMBLED KIT
- CONNECTOR BLOCKS ACCEPTS TRIM TRIO CONTACTS #16 AND #20, R\*M\* OR S\*M\* TYPES
- CONTACTS TO BE ORDERED SEPARATELY.
- WARNING: PHASE AND SIGNAL CONTACT ARE MALE VERSION AND GROUND CONTACT IS FEMALE VERSION
- UNIT IN MM

OVERVIEW WITH CONTACTS (For information only)  
(SEE NOTA 4)



Country	Jurisdiction & Control List
FR	NOT LISTED

P/N : UTL1122G1W5P

B	09/11/15	drawing format updated	
ISS	DATE	Latest modification - by:	LANDAIS.PE
	Designed by:	RAGAIN.E.M	Date:02/10/14
TITLE		MALE FREE HANGING SIZE 12 LAYOUT 8 CONTACT	
		UTL CONNECTOR	
Scale	3/1	General linear Tolerances: ± --	NPRDS / PROJECT UTL
SOURIAU		WWW.SOURIAU.COM	
This document is the property of SOURIAU			SHEET 1/1
It must not be reproduced or communicated without permission			
FORMAT	SOURIAU DRG N°		
A2	UTL1-0068A-C01		