

ABBREVIATION	DESCRIPTION	COLOR	MATERIAL
A-BLACK	HOUSING, KEYING OPTION A	BLACK	SPS/NYLON GF20
B-LIGHT GRAY	HOUSING, KEYING OPTION B	LIGHT GRAY	SPS/NYLON GF20
C-BROWN	HOUSING, KEYING OPTION C	BROWN	SPS/NYLON GF20
D-GREEN	HOUSING, KEYING OPTION D	GREEN	SPS/NYLON GF20
A-YELLOW	HOUSING, KEYING OPTION A	YELLOW	SPS/NYLON GF20
C-DARK GRAY	HOUSING, KEYING OPTION C	DARK GRAY	SPS/NYLON GF20
D-STONE GRAY	HOUSING, KEYING OPTION D	STONE GRAY	SPS/NYLON GF20
A-LIGHT BLUE	HOUSING, KEYING OPTION A	LIGHT BLUE	SPS/NYLON GF 20
GCO	GROMMET CAP (OPEN)	BLACK	SPS/NYLON GF20
GCP	GROMMET CAP (PLUGGED)	BLACK	SPS/NYLON GF20
PLR	PLR	NATURAL	SPS/NYLON GF20
M-R	MAT SEAL	RUST RED	INHERENTLY LUBRICATED SILICONE
M-B	MAT SEAL	LIGHT BLUE	INHERENTLY LUBRICATED SILICONE

FOR ADDITIONAL INFORMATION SEE SD-33482-0001

ASSEMBLY DESCRIPTION	ASSEMBLY PART NUMBER	COMPONENT				BLOCKED TERMINALS										STATUS	COMMENT	OPTIONAL ATTACHMENTS SOLD SEPARATELY										
		THE PRESENCE OF AN ABBREVIATION INDICATES THE PRESENCE OF THAT COMPONENT				CAVITY WITH A NUMBER INDICATES BLOCKED TERMINAL POSITION CAVITY WITHOUT A NUMBER INDICATES OPEN TERMINAL POSITION												BACKSHELL WITH RIBS	BACKSHELL WITHOUT RIBS	90° ADAPTOR WITH RIBS	90° ADAPTOR WITHOUT RIBS							
		HOUSING KEY/COLOR	GROMMET CAP	PLR	MAT SEAL																							
MX150 ASSY BLD 2X10 BK A/20	334822001	A-BLACK	GCO	PLR	M-R	-	-	-	-	-	-	-	-	-	-	-	-	-	-	-	-	-	OBSOLETE	SEE 334822101	34950-2011	34950-2021	34951-1631	34951-1641
MX150 ASSY BLD 2X10 LG B/20	334822002	B-LIGHT GRAY	GCO	PLR	M-R	-	-	-	-	-	-	-	-	-	-	-	-	-	-	-	-	-	OBSOLETE	SEE 334822102	34950-2011	34950-2021	34951-1631	34951-1641
MX150 ASSY BLD 2X10 BR C/20	334822003	C-BROWN	GCO	PLR	M-R	-	-	-	-	-	-	-	-	-	-	-	-	-	-	-	-	-	OBSOLETE	SEE 334822154	34950-2011	34950-2021	34951-1631	34951-1641
MX150 ASSY BLD 2X10 GR D/20	334822004	D-GREEN	GCO	PLR	M-R	-	-	-	-	-	-	-	-	-	-	-	-	-	-	-	-	-	OBSOLETE	SEE 334822155	34950-2011	34950-2021	34951-1631	34951-1641
MX150 ASSY BLD 2X10 BK A/19	334822006	A-BLACK	GCP	PLR	M-R	-	-	-	-	-	-	-	-	-	-	-	-	-	-	-	-	-	OBSOLETE	SEE 334822106	34950-2011	34950-2021	34951-1631	34951-1641
MX150 ASSY BLD 2X10 BK A/19	334822007	A-BLACK	GCP	PLR	M-R	-	-	-	-	-	-	-	-	-	-	-	-	-	-	-	-	20	OBSOLETE	SEE 334822107	34950-2011	34950-2021	34951-1631	34951-1641
MX150 ASSY BLD 2X10 BK A/12	334822008	A-BLACK	GCP	PLR	M-R	-	-	-	4	5	6	7	-	-	-	-	-	-	-	-	-	-	OBSOLETE	SEE 334822108	34950-2011	34950-2021	34951-1631	34951-1641
MX150 ASSY BLD 2X10 BK A/18	334822009	A-BLACK	GCP	PLR	M-R	-	-	-	-	-	-	7	-	-	-	-	-	-	-	-	-	-	OBSOLETE	SEE 334822109	34950-2011	34950-2021	34951-1631	34951-1641
MX150 ASSY BLD 2X10 BK A/16	334822010	A-BLACK	GCP	PLR	M-R	-	-	-	-	-	-	-	-	-	-	-	-	-	-	-	-	10	OBSOLETE	SEE 334822110	34950-2011	34950-2021	34951-1631	34951-1641
MX150 ASSY BLD 2X10 BK A/17	334822011	A-BLACK	GCP	PLR	M-R	11	12	-	-	-	-	-	-	-	-	-	-	-	-	-	-	20	OBSOLETE	SEE 334822111	34950-2011	34950-2021	34951-1631	34951-1641
MX150 ASSY BLD 2X10 BK A/14	334822012	A-BLACK	GCP	PLR	M-R	1	2	-	-	-	-	-	-	-	-	-	-	-	-	-	-	10	OBSOLETE	SEE 334822112	34950-2011	34950-2021	34951-1631	34951-1641
MX150 ASSY BLD 2X10 BK A/12	334822013	A-BLACK	GCP	PLR	M-R	11	12	-	-	-	-	-	-	-	-	-	-	-	-	-	-	20	OBSOLETE	SEE 334822113	34950-2011	34950-2021	34951-1631	34951-1641
MX150 ASSY BLD 2X10 BK A/14	334822014	A-BLACK	GCP	PLR	M-R	-	-	3	4	5	-	-	-	-	-	-	-	-	-	-	-	-	OBSOLETE	SEE 334822114	34950-2011	34950-2021	34951-1631	34951-1641
MX150 ASSY BLD 2X10 BK A/16	334822015	A-BLACK	GCP	PLR	M-R	-	-	3	4	5	-	-	-	-	-	-	-	-	-	-	-	-	OBSOLETE	SEE 334822115	34950-2011	34950-2021	34951-1631	34951-1641
MX150 ASSY BLD 2X10 BK A/16	334822016	A-BLACK	GCP	PLR	M-R	-	2	-	-	-	-	-	-	-	-	-	-	-	-	-	-	-	OBSOLETE	SEE 334822116	34950-2011	34950-2021	34951-1631	34951-1641
MX150 ASSY BLD 2X10 BK A/17	334822017	A-BLACK	GCP	PLR	M-R	-	-	-	-	-	-	-	-	-	-	-	-	-	-	-	-	-	OBSOLETE	SEE 334822117	34950-2011	34950-2021	34951-1631	34951-1641
MX150 ASSY BLD 2X10 BK A/15	334822018	A-BLACK	GCP	PLR	M-R	-	-	-	-	-	-	-	-	-	-	-	-	-	-	-	-	10	OBSOLETE	SEE 334822118	34950-2011	34950-2021	34951-1631	34951-1641

ASSEMBLY DESCRIPTION	ASSEMBLY PART NUMBER	COMPONENT				BLOCKED TERMINALS										STATUS	COMMENT	OPTIONAL ATTACHMENTS SOLD SEPARATELY												
		THE PRESENCE OF AN ABBREVIATION INDICATES THE PRESENCE OF THAT COMPONENT				CAVITY WITH A NUMBER INDICATES BLOCKED TERMINAL POSITION CAVITY WITHOUT A NUMBER INDICATES OPEN TERMINAL POSITION												BACKSHELL WITH RIBS	BACKSHELL WITHOUT RIBS	90° ADAPTOR WITH RIBS	90° ADAPTOR WITHOUT RIBS									
		HOUSING KEY/COLOR	GROMMET CAP	PLR	MAT SEAL	1	2	3	4	5	6	7	8	9	10							11	12	13	14	15	16	17	18	19
MX150 ASSY BLD 2X10 BK A/15	334822019	A-BLACK	GCP	PLR	M-R	-	-	3	4	-	-	-	-	-	-	-	-	-	-	-	-	-	-	-	OBSOLETE	SEE 334822119	34950-2011	34950-2021	34951-1631	34951-1641
MX150 ASSY BLD 2X10 BK A/12	334822020	A-BLACK	GCP	PLR	M-R	-	-	3	4	5	-	-	-	-	-	-	-	-	-	-	-	-	-	-	OBSOLETE	SEE 334822120	34950-2011	34950-2021	34951-1631	34951-1641
MX150 ASSY BLD 2X10 BK A/9	334822021	A-BLACK	GCP	PLR	M-R	1	2	3	4	5	-	-	-	-	-	-	-	-	-	-	-	-	10	-	OBSOLETE	SEE 334822121	34950-2011	34950-2021	34951-1631	34951-1641
MX150 ASSY BLD 2X10 BK A/14	334822022	A-BLACK	GCP	PLR	M-R	-	-	3	4	-	-	-	-	-	-	-	-	-	-	-	-	-	10	-	OBSOLETE	SEE 334822122	34950-2011	34950-2021	34951-1631	34951-1641
MX150 ASSY BLD 2X10 BK A/13	334822023	A-BLACK	GCP	PLR	M-R	-	-	-	-	-	-	-	-	-	-	-	-	-	-	-	-	-	10	-	OBSOLETE	SEE 334822123	34950-2011	34950-2021	34951-1631	34951-1641
MX150 ASSY BLD 2X10 BK A/16	334822024	A-BLACK	GCP	PLR	M-R	-	-	-	-	-	-	-	-	-	-	-	-	-	-	-	-	-	-	-	OBSOLETE	SEE 334822124	34950-2011	34950-2021	34951-1631	34951-1641
MX150 ASSY BLD 2X10 BK A/16	334822025	A-BLACK	GCP	PLR	M-R	-	-	-	-	-	-	-	-	-	-	-	-	-	-	-	-	-	10	-	OBSOLETE	SEE 334822125	34950-2011	34950-2021	34951-1631	34951-1641
MX150 ASSY BLD 2X10 BK A/13	334822026	A-BLACK	GCP	PLR	M-R	-	-	-	4	5	-	-	-	-	-	-	-	-	-	-	-	-	10	-	OBSOLETE	SEE 334822126	34950-2011	34950-2021	34951-1631	34951-1641
MX150 ASSY BLD 2X10 BK A/12	334822027	A-BLACK	GCP	PLR	M-R	-	-	-	4	5	-	-	-	-	-	-	-	-	-	-	-	-	10	-	OBSOLETE	SEE 334822127	34950-2011	34950-2021	34951-1631	34951-1641
MX150 ASSY BLD 2X10 BK A/2	334822028	A-BLACK	GCP	PLR	M-R	1	-	3	4	5	6	7	8	9	10	-	-	-	-	-	-	-	-	-	OBSOLETE	SEE 334822128	34950-2011	34950-2021	34951-1631	34951-1641
MX150 ASSY BLD 2X10 BK A/14	334822029	A-BLACK	GCP	PLR	M-R	-	-	-	4	5	6	7	-	-	-	-	-	-	-	-	-	-	-	-	OBSOLETE	SEE 334822129	34950-2011	34950-2021	34951-1631	34951-1641
MX150 ASSY BLD 2X10 BK A/12	334822030	A-BLACK	GCP	PLR	M-R	-	-	3	4	5	-	-	-	-	-	-	-	-	-	-	-	-	-	-	OBSOLETE	SEE 334822130	34950-2011	34950-2021	34951-1631	34951-1641
MX150 ASSY BLD 2X10 BK A/17	334822031	A-BLACK	GCP	PLR	M-R	-	-	-	4	-	-	7	-	-	-	-	-	-	-	-	-	-	-	-	OBSOLETE	SEE 334822131	34950-2011	34950-2021	34951-1631	34951-1641
MX150 ASSY BLD 2X10 BK A/13	334822032	A-BLACK	GCP	PLR	M-R	-	-	3	4	5	-	-	-	-	-	-	-	-	-	-	-	-	-	-	OBSOLETE	SEE 334822132	34950-2011	34950-2021	34951-1631	34951-1641
MX150 ASSY BLD 2X10 BK A/17	334822033	A-BLACK	GCP	PLR	M-R	-	-	-	-	-	-	-	-	-	-	-	-	-	-	-	-	-	10	-	OBSOLETE	SEE 334822133	34950-2011	34950-2021	34951-1631	34951-1641
MX150 ASSY BLD 2X10 BK A/16	334822034	A-BLACK	GCP	PLR	M-R	-	-	-	-	-	-	-	-	-	-	-	-	-	-	-	-	-	-	-	OBSOLETE	SEE 334822134	34950-2011	34950-2021	34951-1631	34951-1641
MX150 ASSY BLD 2X10 BK A/15	334822035	A-BLACK	GCP	PLR	M-R	-	-	-	-	-	-	-	-	-	-	-	-	-	-	-	-	-	-	-	OBSOLETE	SEE 334822135	34950-2011	34950-2021	34951-1631	34951-1641
MX150 ASSY BLD 2X10 BK A/14	334822036	A-BLACK	GCP	PLR	M-R	-	-	-	-	-	-	7	-	9	-	-	-	-	-	-	-	-	-	-	OBSOLETE	SEE 334822136	34950-2011	34950-2021	34951-1631	34951-1641
MX150 ASSY BLD 2X10 BK A/18	334822037	A-BLACK	GCP	PLR	M-R	-	-	-	-	-	-	7	-	9	-	-	-	-	-	-	-	-	-	-	OBSOLETE	SEE 334822137	34950-2011	34950-2021	34951-1631	34951-1641
MX150 ASSY BLD 2X10 BK A/7	334822038	A-BLACK	GCP	PLR	M-R	1	2	3	4	5	6	7	8	9	10	-	-	-	-	-	-	-	-	-	OBSOLETE	SEE 334822138	34950-2011	34950-2021	34951-1631	34951-1641
MX150 ASSY BLD 2X10 BK A/9	334822039	A-BLACK	GCP	PLR	M-R	1	2	3	4	5	6	7	8	-	10	-	-	-	-	-	-	-	-	-	OBSOLETE	SEE 334822139	34950-2011	34950-2021	34951-1631	34951-1641
MX150 ASSY BLD 2X10 BK A/17	334822040	A-BLACK	GCP	PLR	M-R	-	-	-	-	-	-	7	-	-	-	-	-	-	-	-	-	-	-	-	OBSOLETE	SEE 334822140	34950-2011	34950-2021	34951-1631	34951-1641
MX150 ASSY BLD 2X10 YW A/20	334822041	A-YELLOW	GCO	PLR	M-R	-	-	-	-	-	-	-	-	-	-	-	-	-	-	-	-	-	-	-	OBSOLETE	SEE 334822141	34950-2011	34950-2021	34951-1631	34951-1641
MX150 ASSY BLD 2X10 BK A/15	334822042	A-BLACK	GCP	PLR	M-R	-	-	-	-	-	-	-	-	-	-	-	-	-	-	-	-	-	10	-	OBSOLETE	SEE 334822142	34950-2011	34950-2021	34951-1631	34951-1641
MX150 ASSY BLD 2X10 BK A/15	334822043	A-BLACK	GCP	PLR	M-R	-	2	-	4	-	-	-	-	-	-	-	-	-	-	-	-	-	-	-	OBSOLETE	SEE 334822143	34950-2011	34950-2021	34951-1631	34951-1641
MX150 ASSY BLD 2X10 BK A/18	334822044	A-BLACK	GCP	PLR	M-R	-	-	-	-	-	-	-	-	-	-	-	-	-	-	-	-	18	19	-	OBSOLETE	SEE 334822144	34950-2011	34950-2021	34951-1631	34951-1641
MX150 ASSY BLD 2X10 BK A/18	334822045	A-BLACK	GCP	PLR	M-R	-	-	-	-	-	-	-	-	-	9	10	-	-	-	-	-	-	-	-	OBSOLETE	SEE 334822145	34950-2011	34950-2021	34951-1631	34951-1641

ASSEMBLY DESCRIPTION	ASSEMBLY PART NUMBER	COMPONENT				BLOCKED TERMINALS										STATUS	COMMENT	OPTIONAL ATTACHMENTS SOLD SEPARATELY												
		THE PRESENCE OF AN ABBREVIATION INDICATES THE PRESENCE OF THAT COMPONENT				CAVITY WITH A NUMBER INDICATES BLOCKED TERMINAL POSITION CAVITY WITHOUT A NUMBER INDICATES OPEN TERMINAL POSITION												BACKSHELL WITH RIBS	BACKSHELL WITHOUT RIBS	90° ADAPTOR WITH RIBS	90° ADAPTOR WITHOUT RIBS									
		HOUSING KEY/COLOR	GROMMET CAP	PLR	MAT SEAL	1	2	3	4	5	6	7	8	9	10							11	12	13	14	15	16	17	18	19
MX150 ASSY BLD 2X10 BK A/12	334822046	A-BLACK	GCP	PLR	M-R	1	-	-	-	-	-	-	-	-	-	-	-	-	-	-	-	-	-	-	OBSOLETE	SEE 334822146	34950-2011	34950-2021	34951-1631	34951-1641
MX150 ASSY BLD 2X10 BK A/10	334822047	A-BLACK	GCP	PLR	M-R	-	-	3	4	5	-	-	-	-	-	-	-	-	-	-	-	-	10	OBSOLETE	SEE 334822147	34950-2011	34950-2021	34951-1631	34951-1641	
MX150 ASSY BLD 2X10 BK A/2	334822048	A-BLACK	GCP	PLR	M-R	1	2	3	4	5	6	7	8	9	-	-	-	-	-	-	-	-	-	-	OBSOLETE	SEE 334822148	34950-2011	34950-2021	34951-1631	34951-1641
MX150 ASSY BLD 2X10 BK A/11	334822049	A-BLACK	GCP	PLR	M-R	-	-	3	4	5	6	-	8	9	-	-	-	-	-	-	-	-	-	-	OBSOLETE	SEE 334822149	34950-2011	34950-2021	34951-1631	34951-1641
MX150 ASSY BLD 2X10 BK A/4	334822050	A-BLACK	GCP	PLR	M-R	1	2	3	4	5	6	-	-	-	-	-	-	-	-	-	-	-	-	-	OBSOLETE	SEE 334822150	34950-2011	34950-2021	34951-1631	34951-1641
MX150 ASSY BLD 2X10 BK A/10	334822051	A-BLACK	GCP	PLR	M-R	-	-	-	-	-	-	-	-	-	-	-	-	-	-	-	-	-	-	-	OBSOLETE	SEE 334822151	34950-2011	34950-2021	34951-1631	34951-1641
MX150 ASSY BLD 2X10 BK A/0	334822052	A-BLACK	GCP	PLR	M-R	1	2	3	4	5	6	7	8	9	10	-	-	-	-	-	-	-	-	-	OBSOLETE	SEE 334822152	34950-2011	34950-2021	34951-1631	34951-1641
MX150 ASSY BLD 2X10 BK A/14	334822053	A-BLACK	GCP	PLR	M-R	-	-	3	-	-	-	-	8	9	-	-	-	-	-	-	-	-	-	-	OBSOLETE	SEE 334822153	34950-2011	34950-2021	34951-1631	34951-1641
MX150 ASSY BLD 2X10 DG C/20	334822054	C-DARK GRAY	GCO	PLR	M-R	-	-	-	-	-	-	-	-	-	-	-	-	-	-	-	-	-	-	-	OBSOLETE	SEE 334822154	34950-2011	34950-2021	34951-1631	34951-1641
MX150 ASSY BLD 2X10 SG D/20	334822055	D-STONE GRAY	GCO	PLR	M-R	-	-	-	-	-	-	-	-	-	-	-	-	-	-	-	-	-	-	-	OBSOLETE	SEE 334822155	34950-2011	34950-2021	34951-1631	34951-1641
MX150 ASSY BLD 2X10 LG B/16	334822056	B-LIGHT GRAY	GCP	PLR	M-R	-	-	3	-	5	-	-	-	9	10	-	-	-	-	-	-	-	-	-	OBSOLETE	SEE 334822156	34950-2011	34950-2021	34951-1631	34951-1641
MX150 ASSY BLD 2X10 LG B/5	334822057	B-LIGHT GRAY	GCP	PLR	M-R	-	-	3	4	5	-	-	-	9	10	-	-	-	-	-	-	-	-	-	OBSOLETE	SEE 334822157	34950-2011	34950-2021	34951-1631	34951-1641
MX150 ASSY BLD 2X10 LG B/12	334822058	B-LIGHT GRAY	GCP	PLR	M-R	-	-	3	-	5	-	-	-	9	10	-	-	-	-	-	-	-	-	-	OBSOLETE	SEE 334822158	34950-2011	34950-2021	34951-1631	34951-1641
MX150 ASSY BLD 2X10 LG B/11	334822059	B-LIGHT GRAY	GCP	PLR	M-R	-	-	3	4	5	6	-	8	9	10	-	-	-	-	-	-	-	-	-	OBSOLETE	SEE 334822159	34950-2011	34950-2021	34951-1631	34951-1641
MX150 ASSY BLD 2X10 BK A/10	334822060	A-BLACK	GCP	PLR	M-R	-	-	-	4	5	-	-	8	-	-	-	-	-	-	-	-	-	-	-	OBSOLETE	SEE 334822160	34950-2011	34950-2021	34951-1631	34951-1641
MX150 ASSY BLD 2X10 BK A/12	334822061	A-BLACK	GCP	PLR	M-R	-	-	-	4	5	-	-	8	-	-	-	-	-	-	-	-	-	-	-	OBSOLETE	SEE 334822161	34950-2011	34950-2021	34951-1631	34951-1641
MX150 ASSY BLD 2X10 YW A/9	334822062	A-YELLOW	GCP	PLR	M-R	-	-	3	-	-	6	7	8	9	10	-	-	-	-	-	-	-	-	-	OBSOLETE	SEE 334822162	34950-2011	34950-2021	34951-1631	34951-1641
MX150 ASSY BLD 2X10 YW A/11	334822063	A-YELLOW	GCP	PLR	M-R	-	-	3	-	-	6	7	8	9	10	-	-	-	-	-	-	-	-	-	OBSOLETE	SEE 334822163	34950-2011	34950-2021	34951-1631	34951-1641
MX150 ASSY BLD 2X10 YW A/15	334822064	A-YELLOW	GCP	PLR	M-R	-	-	3	-	-	-	7	-	-	10	-	-	-	-	-	-	-	-	-	OBSOLETE	SEE 334822164	34950-2011	34950-2021	34951-1631	34951-1641
MX150 ASSY BLD 2X10 YW A/2	334822065	A-YELLOW	GCP	PLR	M-R	-	-	3	4	5	6	7	8	9	10	-	-	-	-	-	-	-	-	-	OBSOLETE	SEE 334822165	34950-2011	34950-2021	34951-1631	34951-1641
MX150 ASSY BLD 2X10 YW A/7	334822066	A-YELLOW	GCP	PLR	M-R	-	-	3	4	5	6	7	8	9	10	-	-	-	-	-	-	-	-	-	OBSOLETE	SEE 334822166	34950-2011	34950-2021	34951-1631	34951-1641
MX150 ASSY BLD 2X10 YW A/14	334822067	A-YELLOW	GCP	PLR	M-R	-	-	3	-	-	-	7	8	9	10	-	-	-	-	-	-	-	-	-	OBSOLETE	SEE 334822167	34950-2011	34950-2021	34951-1631	34951-1641
MX150 ASSY BLD 2X10 BK A/12	334822068	A-BLACK	GCP	PLR	M-R	-	-	3	4	5	-	7	-	-	-	-	-	-	-	-	-	-	-	-	OBSOLETE	SEE 334822168	34950-2011	34950-2021	34951-1631	34951-1641
MX150 ASSY BLD 2X10 BK A/14	334822069	A-BLACK	GCP	PLR	M-R	-	-	-	-	-	-	7	-	-	10	-	-	-	-	-	-	-	-	-	OBSOLETE	SEE 334822169	34950-2011	34950-2021	34951-1631	34951-1641
MX150 ASSY BLD 2X10 BK A/11	334822070	A-BLACK	GCP	PLR	M-R	-	2	3	4	5	-	-	-	-	-	-	-	-	-	-	-	-	-	-	OBSOLETE	SEE 334822170	34950-2011	34950-2021	34951-1631	34951-1641
MX150 ASSY BLD 2X10 BK A/17	334822071	A-BLACK	GCP	PLR	M-R	-	-	-	-	-	-	-	-	-	-	-	-	-	-	-	-	-	-	-	OBSOLETE	SEE 334822171	34950-2011	34950-2021	34951-1631	34951-1641
MX150 ASSY BLD 2X10 BK A/9	334822072	A-BLACK	GCP	PLR	M-R	1	2	3	4	5	6	7	8	-	-	-	-	-	-	-	-	-	-	-	OBSOLETE	SEE 334822172	34950-2011	34950-2021	34951-1631	34951-1641

ASSEMBLY DESCRIPTION	ASSEMBLY PART NUMBER	COMPONENT				BLOCKED TERMINALS										STATUS	COMMENT	OPTIONAL ATTACHMENTS SOLD SEPARATELY													
		THE PRESENCE OF AN ABBREVIATION INDICATES THE PRESENCE OF THAT COMPONENT				CAVITY WITH A NUMBER INDICATES BLOCKED TERMINAL POSITION CAVITY WITHOUT A NUMBER INDICATES OPEN TERMINAL POSITION												BACKSHELL WITH RIBS	BACKSHELL WITHOUT RIBS	90° ADAPTOR WITH RIBS	90° ADAPTOR WITHOUT RIBS										
		HOUSING KEY/COLOR	GROMMET CAP	PLR	MAT SEAL	1	2	3	4	5	6	7	8	9	10							11	12	13	14	15	16	17	18	19	20
MX150 ASSY BLD 2X10 BK A/18	334822073	A-BLACK	GCP	PLR	M-R	-	-	-	-	-	-	-	8	-	-	-	-	-	-	-	-	-	-	-	-	OBSOLETE	SEE 334822173	34950-2011	34950-2021	34951-1631	34951-1641
MX150 ASSY BLD 2X10 BK A/15	334822074	A-BLACK	GCP	PLR	M-R	1	-	-	-	-	-	-	8	-	10	-	-	-	-	-	-	-	-	-	-	OBSOLETE	SEE 334822174	34950-2011	34950-2021	34951-1631	34951-1641
MX150 ASSY BLD 2X10 BK A/14	334822075	A-BLACK	GCP	PLR	M-R	1	-	-	-	-	-	-	8	9	-	-	-	-	-	-	-	-	-	-	-	OBSOLETE	SEE 334822175	34950-2011	34950-2021	34951-1631	34951-1641
MX150 ASSY BLD 2X10 BK A/17	334822076	A-BLACK	GCP	PLR	M-R	11	-	-	-	-	-	-	-	19	20	-	-	-	-	-	-	-	-	-	-	OBSOLETE	SEE 334822176	34950-2011	34950-2021	34951-1631	34951-1641
MX150 ASSY BLD 2X10 BK A/16	334822077	A-BLACK	GCP	PLR	M-R	-	-	-	-	-	-	-	-	-	-	-	-	-	-	-	-	-	-	-	-	OBSOLETE	SEE 334822177	34950-2011	34950-2021	34951-1631	34951-1641
MX150 ASSY BLD 2X10 BK A/18	334822078	A-BLACK	GCP	PLR	M-R	-	-	-	4	-	-	-	-	-	-	-	-	-	-	-	-	-	-	-	-	OBSOLETE	SEE 334822178	34950-2011	34950-2021	34951-1631	34951-1641
MX150 ASSY BLD 2X10 BK A/6	334822079	A-BLACK	GCP	PLR	M-R	-	-	-	4	5	6	7	8	9	10	-	-	-	-	-	-	-	-	-	-	OBSOLETE	SEE 334822179	34950-2011	34950-2021	34951-1631	34951-1641
MX150 ASSY BLD 2X10 BK A/11	334822080	A-BLACK	GCP	PLR	M-R	1	-	-	-	-	-	-	8	-	10	-	-	-	-	-	-	-	-	-	-	OBSOLETE	SEE 334822180	34950-2011	34950-2021	34951-1631	34951-1641
MX150 ASSY BLD 2X10 BK A/9	334822081	A-BLACK	GCP	PLR	M-R	11	12	13	14	15	-	17	-	-	-	-	-	-	-	-	-	-	-	-	-	OBSOLETE	SEE 334822181	34950-2011	34950-2021	34951-1631	34951-1641
MX150 ASSY BLD 2X10 BK A/8	334822082	A-BLACK	GCP	PLR	M-R	1	-	3	4	-	-	-	8	9	10	-	-	-	-	-	-	-	-	-	-	OBSOLETE	SEE 334822182	34950-2011	34950-2021	34951-1631	34951-1641
MX150 ASSY BLD 2X10 BK A/13	334822083	A-BLACK	GCP	PLR	M-R	1	-	-	-	-	-	-	8	9	10	-	-	-	-	-	-	-	-	-	-	OBSOLETE	SEE 334822183	34950-2011	34950-2021	34951-1631	34951-1641
MX150 ASSY BLD 2X10 BK A/17	334822084	A-BLACK	GCP	PLR	M-R	1	-	-	-	-	-	-	-	9	-	-	-	-	-	-	-	-	-	-	-	OBSOLETE	SEE 334822184	34950-2011	34950-2021	34951-1631	34951-1641
MX150 ASSY BLD 2X10 BK A/18	334822085	A-BLACK	GCP	PLR	M-R	-	-	-	-	-	-	-	-	-	-	19	-	-	-	-	-	-	-	-	-	OBSOLETE	SEE 334822185	34950-2011	34950-2021	34951-1631	34951-1641
MX150 ASSY BLD 2X10 BK A/14	334822086	A-BLACK	GCP	PLR	M-R	-	2	3	-	5	-	-	-	-	-	-	-	-	-	-	-	-	-	-	-	OBSOLETE	SEE 334822186	34950-2011	34950-2021	34951-1631	34951-1641
MX150 ASSY BLD 2X10 BK A/16	334822087	A-BLACK	GCP	PLR	M-R	1	-	-	-	-	-	-	-	-	-	-	-	-	-	-	-	-	-	-	-	OBSOLETE	SEE 334822187	34950-2011	34950-2021	34951-1631	34951-1641
MX150 ASSY BLD 2X10 BK A/11	334822088	A-BLACK	GCP	PLR	M-R	1	-	-	-	5	6	7	8	-	-	-	-	-	-	-	-	-	-	-	-	OBSOLETE	SEE 334822188	34950-2011	34950-2021	34951-1631	34951-1641
MX150 ASSY BLD 2X10 BK A/5	334822089	A-BLACK	GCP	PLR	M-R	1	2	3	4	5	6	7	8	9	-	-	-	-	-	-	-	-	-	-	-	OBSOLETE	SEE 334822189	34950-2011	34950-2021	34951-1631	34951-1641
MX150 ASSY BLD 2X10 BK A/2	334822090	A-BLACK	GCP	PLR	M-R	1	2	3	4	5	6	7	8	9	10	-	-	-	-	-	-	-	-	-	-	OBSOLETE	SEE 334822190	34950-2011	34950-2021	34951-1631	34951-1641
MX150 ASSY BLD 2X10 BK A/20	334822101	A-BLACK	GCO	PLR	M-B	-	-	-	-	-	-	-	-	-	-	-	-	-	-	-	-	-	-	-	-	SALEABLE		34950-2011	34950-2021	34951-1631	34951-1641
MX150 ASSY BLD 2X10 LG B/20	334822102	B-LIGHT GRAY	GCO	PLR	M-B	-	-	-	-	-	-	-	-	-	-	-	-	-	-	-	-	-	-	-	-	SALEABLE		34950-2011	34950-2021	34951-1631	34951-1641
MX150 ASSY BLD 2X10 BR C/20	334822103	C-BROWN	GCO	PLR	M-B	-	-	-	-	-	-	-	-	-	-	-	-	-	-	-	-	-	-	-	-	NOT RECOMMENDED	SEE 334822154	34950-2011	34950-2021	34951-1631	34951-1641
MX150 ASSY BLD 2X10 GR D/20	334822104	D-GREEN	GCO	PLR	M-B	-	-	-	-	-	-	-	-	-	-	-	-	-	-	-	-	-	-	-	-	NOT RECOMMENDED	SEE 334822155	34950-2011	34950-2021	34951-1631	34951-1641
MX150 ASSY BLD 2X10 BK A/19	334822106	A-BLACK	GCP	PLR	M-B	-	-	-	-	-	-	-	-	-	-	-	-	-	-	-	-	-	-	-	SALEABLE		34950-2011	34950-2021	34951-1631	34951-1641	
MX150 ASSY BLD 2X10 BK A/19	334822107	A-BLACK	GCP	PLR	M-B	11	-	-	-	-	-	-	-	-	-	-	-	-	-	-	-	-	-	-	-	SALEABLE		34950-2011	34950-2021	34951-1631	34951-1641
MX150 ASSY BLD 2X10 BK A/12	334822108	A-BLACK	GCP	PLR	M-B	-	-	-	4	5	6	7	-	-	-	-	-	-	-	-	-	-	-	-	-	SALEABLE		34950-2011	34950-2021	34951-1631	34951-1641
MX150 ASSY BLD 2X10 BK A/18	334822109	A-BLACK	GCP	PLR	M-B	-	-	-	-	-	-	7	-	-	-	-	-	-	-	-	-	-	-	-	-	SALEABLE		34950-2011	34950-2021	34951-1631	34951-1641
MX150 ASSY BLD 2X10 BK A/16	334822110	A-BLACK	GCP	PLR	M-B	-	-	-	-	-	-	-	-	-	-	10	-	-	-	-	-	-	-	-	-	SALEABLE		34950-2011	34950-2021	34951-1631	34951-1641

**MX150 2X10 BLADE SEALED ASSEMBLY MAT SEAL
BOM AND PIN OUT SHEET**

ASSEMBLY DESCRIPTION	ASSEMBLY PART NUMBER	COMPONENT				BLOCKED TERMINALS										STATUS	COMMENT	OPTIONAL ATTACHMENTS SOLD SEPARATELY												
		THE PRESENCE OF AN ABBREVIATION INDICATES THE PRESENCE OF THAT COMPONENT				CAVITY WITH A NUMBER INDICATES BLOCKED TERMINAL POSITION CAVITY WITHOUT A NUMBER INDICATES OPEN TERMINAL POSITION												BACKSHELL WITH RIBS	BACKSHELL WITHOUT RIBS	90° ADAPTOR WITH RIBS	90° ADAPTOR WITHOUT RIBS									
		HOUSING KEY/COLOR	GROMMET CAP	PLR	MAT SEAL	1	2	-	-	-	-	-	-	-	-							-	-	-	-	-	-	-	-	-
MX150 ASSY BLD 2X10 BK A/17	334822111	A-BLACK	GCP	PLR	M-B	-	-	-	-	-	-	-	-	-	-	-	-	-	-	-	-	-	-	-	-	-	-	-	-	-
MX150 ASSY BLD 2X10 BK A/14	334822112	A-BLACK	GCP	PLR	M-B	1	2	-	-	-	-	-	-	-	-	-	-	-	-	-	-	-	-	-	-	-	-	-	-	-
MX150 ASSY BLD 2X10 BK A/12	334822113	A-BLACK	GCP	PLR	M-B	1	2	-	-	-	-	-	-	-	-	-	-	-	-	-	-	-	-	-	-	-	-	-	-	-
MX150 ASSY BLD 2X10 BK A/14	334822114	A-BLACK	GCP	PLR	M-B	-	-	3	4	5	-	-	-	-	-	-	-	-	-	-	-	-	-	-	-	-	-	-	-	-
MX150 ASSY BLD 2X10 BK A/16	334822115	A-BLACK	GCP	PLR	M-B	-	-	3	4	5	-	-	-	-	-	-	-	-	-	-	-	-	-	-	-	-	-	-	-	-
MX150 ASSY BLD 2X10 BK A/16	334822116	A-BLACK	GCP	PLR	M-B	-	2	-	-	-	-	-	-	-	-	-	-	-	-	-	-	-	-	-	-	-	-	-	-	-
MX150 ASSY BLD 2X10 BK A/17	334822117	A-BLACK	GCP	PLR	M-B	-	-	-	-	-	-	-	-	-	-	-	-	-	-	-	-	-	-	-	-	-	-	-	-	-
MX150 ASSY BLD 2X10 BK A/15	334822118	A-BLACK	GCP	PLR	M-B	-	-	-	-	-	-	-	-	-	-	-	-	-	-	-	-	-	-	-	-	-	-	-	-	-
MX150 ASSY BLD 2X10 BK A/15	334822119	A-BLACK	GCP	PLR	M-B	-	-	3	4	-	-	-	-	-	-	-	-	-	-	-	-	-	-	-	-	-	-	-	-	-
MX150 ASSY BLD 2X10 BK A/12	334822120	A-BLACK	GCP	PLR	M-B	-	-	3	4	5	-	-	-	-	-	-	-	-	-	-	-	-	-	-	-	-	-	-	-	-
MX150 ASSY BLD 2X10 BK A/9	334822121	A-BLACK	GCP	PLR	M-B	1	2	3	4	5	-	-	-	-	-	-	-	-	-	-	-	-	-	-	-	-	-	-	-	-
MX150 ASSY BLD 2X10 BK A/14	334822122	A-BLACK	GCP	PLR	M-B	-	-	3	4	-	-	-	-	-	-	-	-	-	-	-	-	-	-	-	-	-	-	-	-	-
MX150 ASSY BLD 2X10 BK A/13	334822123	A-BLACK	GCP	PLR	M-B	-	-	-	-	-	-	-	-	-	-	-	-	-	-	-	-	-	-	-	-	-	-	-	-	-
MX150 ASSY BLD 2X10 BK A/16	334822124	A-BLACK	GCP	PLR	M-B	-	-	-	-	-	-	-	-	-	-	-	-	-	-	-	-	-	-	-	-	-	-	-	-	-
MX150 ASSY BLD 2X10 BK A/16	334822125	A-BLACK	GCP	PLR	M-B	-	-	-	-	-	-	-	-	-	-	-	-	-	-	-	-	-	-	-	-	-	-	-	-	-
MX150 ASSY BLD 2X10 BK A/13	334822126	A-BLACK	GCP	PLR	M-B	-	-	-	4	5	-	-	-	-	-	-	-	-	-	-	-	-	-	-	-	-	-	-	-	-
MX150 ASSY BLD 2X10 BK A/12	334822127	A-BLACK	GCP	PLR	M-B	-	-	-	4	5	-	-	-	-	-	-	-	-	-	-	-	-	-	-	-	-	-	-	-	-
MX150 ASSY BLD 2X10 BK A/2	334822128	A-BLACK	GCP	PLR	M-B	1	-	3	4	5	6	7	8	9	10	-	-	-	-	-	-	-	-	-	-	-	-	-	-	-
MX150 ASSY BLD 2X10 BK A/14	334822129	A-BLACK	GCP	PLR	M-B	-	-	-	4	5	6	7	-	-	-	-	-	-	-	-	-	-	-	-	-	-	-	-	-	-
MX150 ASSY BLD 2X10 BK A/12	334822130	A-BLACK	GCP	PLR	M-B	-	-	3	4	5	-	-	-	-	-	-	-	-	-	-	-	-	-	-	-	-	-	-	-	-
MX150 ASSY BLD 2X10 BK A/17	334822131	A-BLACK	GCP	PLR	M-B	-	-	-	4	-	-	7	-	-	-	-	-	-	-	-	-	-	-	-	-	-	-	-	-	-
MX150 ASSY BLD 2X10 BK A/13	334822132	A-BLACK	GCP	PLR	M-B	-	-	3	4	5	-	-	-	-	-	-	-	-	-	-	-	-	-	-	-	-	-	-	-	-
MX150 ASSY BLD 2X10 BK A/17	334822133	A-BLACK	GCP	PLR	M-B	-	-	-	-	-	-	-	-	-	-	-	-	-	-	-	-	-	-	-	-	-	-	-	-	-
MX150 ASSY BLD 2X10 BK A/16	334822134	A-BLACK	GCP	PLR	M-B	-	-	-	-	-	-	-	-	-	-	-	-	-	-	-	-	-	-	-	-	-	-	-	-	-
MX150 ASSY BLD 2X10 BK A/15	334822135	A-BLACK	GCP	PLR	M-B	-	-	-	-	-	-	-	-	-	-	-	-	-	-	-	-	-	-	-	-	-	-	-	-	-
MX150 ASSY BLD 2X10 BK A/14	334822136	A-BLACK	GCP	PLR	M-B	-	-	-	-	-	-	7	-	9	-	-	-	-	-	-	-	-	-	-	-	-	-	-	-	-
MX150 ASSY BLD 2X10 BK A/18	334822137	A-BLACK	GCP	PLR	M-B	-	-	-	-	-	-	7	-	9	-	-	-	-	-	-	-	-	-	-	-	-	-	-	-	-

**MX150 2X10 BLADE SEALED ASSEMBLY MAT SEAL
BOM AND PIN OUT SHEET**

ASSEMBLY DESCRIPTION	ASSEMBLY PART NUMBER	COMPONENT				BLOCKED TERMINALS										STATUS	COMMENT	OPTIONAL ATTACHMENTS SOLD SEPARATELY			
		THE PRESENCE OF AN ABBREVIATION INDICATES THE PRESENCE OF THAT COMPONENT				CAVITY WITH A NUMBER INDICATES BLOCKED TERMINAL POSITION CAVITY WITHOUT A NUMBER INDICATES OPEN TERMINAL POSITION												BACKSHELL WITH RIBS	BACKSHELL WITHOUT RIBS	90° ADAPTOR WITH RIBS	90° ADAPTOR WITHOUT RIBS
		HOUSING KEY/COLOR	GROMMET CAP	PLR	MAT SEAL	1	2	3	4	5	6	7	8	9	10						
MX150 ASSY BLD 2X10 BK A/7	334822138	A-BLACK	GCP	PLR	M-B	1	2	3	4	5	6	7	8	9	10	SALEABLE		34950-2011	34950-2021	34951-1631	34951-1641
MX150 ASSY BLD 2X10 BK A/9	334822139	A-BLACK	GCP	PLR	M-B	1	2	3	4	5	6	7	8	-	10	SALEABLE		34950-2011	34950-2021	34951-1631	34951-1641
MX150 ASSY BLD 2X10 BK A/17	334822140	A-BLACK	GCP	PLR	M-B	-	-	-	-	-	-	7	-	-	-	SALEABLE		34950-2011	34950-2021	34951-1631	34951-1641
MX150 ASSY BLD 2X10 YW A/20	334822141	A-YELLOW	GCO	PLR	M-B	-	-	-	-	-	-	-	-	-	-	SALEABLE		34950-2011	34950-2021	34951-1631	34951-1641
MX150 ASSY BLD 2X10 BK A/15	334822142	A-BLACK	GCP	PLR	M-B	-	-	-	-	-	-	-	-	-	10	SALEABLE		34950-2011	34950-2021	34951-1631	34951-1641
MX150 ASSY BLD 2X10 BK A/15	334822143	A-BLACK	GCP	PLR	M-B	-	2	-	4	-	-	-	-	-	-	SALEABLE		34950-2011	34950-2021	34951-1631	34951-1641
MX150 ASSY BLD 2X10 BK A/18	334822144	A-BLACK	GCP	PLR	M-B	-	-	-	-	-	-	-	-	-	-	SALEABLE		34950-2011	34950-2021	34951-1631	34951-1641
MX150 ASSY BLD 2X10 BK A/18	334822145	A-BLACK	GCP	PLR	M-B	-	-	-	-	-	-	-	-	9	10	SALEABLE		34950-2011	34950-2021	34951-1631	34951-1641
MX150 ASSY BLD 2X10 BK A/12	334822146	A-BLACK	GCP	PLR	M-B	1	-	-	-	-	-	-	-	-	-	SALEABLE		34950-2011	34950-2021	34951-1631	34951-1641
MX150 ASSY BLD 2X10 BK A/10	334822147	A-BLACK	GCP	PLR	M-B	-	-	3	4	5	-	-	-	-	10	SALEABLE		34950-2011	34950-2021	34951-1631	34951-1641
MX150 ASSY BLD 2X10 BK A/2	334822148	A-BLACK	GCP	PLR	M-B	1	2	3	4	5	6	7	8	9	-	SALEABLE		34950-2011	34950-2021	34951-1631	34951-1641
MX150 ASSY BLD 2X10 BK A/11	334822149	A-BLACK	GCP	PLR	M-B	-	-	3	4	5	6	-	8	9	-	SALEABLE		34950-2011	34950-2021	34951-1631	34951-1641
MX150 ASSY BLD 2X10 BK A/4	334822150	A-BLACK	GCP	PLR	M-B	1	2	3	4	5	6	-	-	-	-	SALEABLE		34950-2011	34950-2021	34951-1631	34951-1641
MX150 ASSY BLD 2X10 BK A/10	334822151	A-BLACK	GCP	PLR	M-B	-	-	-	-	-	-	-	-	-	-	SALEABLE		34950-2011	34950-2021	34951-1631	34951-1641
MX150 ASSY BLD 2X10 BK A/0	334822152	A-BLACK	GCP	PLR	M-B	1	2	3	4	5	6	7	8	9	10	SALEABLE		34950-2011	34950-2021	34951-1631	34951-1641
MX150 ASSY BLD 2X10 BK A/14	334822153	A-BLACK	GCP	PLR	M-B	-	-	3	-	-	-	-	8	9	-	SALEABLE		34950-2011	34950-2021	34951-1631	34951-1641
MX150 ASSY BLD 2X10 DG C/20	334822154	C-DARK GRAY	GCO	PLR	M-B	-	-	-	-	-	-	-	-	-	-	SALEABLE		34950-2011	34950-2021	34951-1631	34951-1641
MX150 ASSY BLD 2X10 SG D/20	334822155	D-STONE GRAY	GCO	PLR	M-B	-	-	-	-	-	-	-	-	-	-	SALEABLE		34950-2011	34950-2021	34951-1631	34951-1641
MX150 ASSY BLD 2X10 LG B/16	334822156	B-LIGHT GRAY	GCP	PLR	M-B	-	-	3	-	5	-	-	-	9	10	SALEABLE		34950-2011	34950-2021	34951-1631	34951-1641
MX150 ASSY BLD 2X10 LG B/5	334822157	B-LIGHT GRAY	GCP	PLR	M-B	-	-	3	4	5	-	-	-	9	10	SALEABLE		34950-2011	34950-2021	34951-1631	34951-1641
MX150 ASSY BLD 2X10 LG B/12	334822158	B-LIGHT GRAY	GCP	PLR	M-B	-	-	3	-	5	-	-	-	9	10	SALEABLE		34950-2011	34950-2021	34951-1631	34951-1641
MX150 ASSY BLD 2X10 LG B/11	334822159	B-LIGHT GRAY	GCP	PLR	M-B	-	-	3	4	5	6	-	8	9	10	SALEABLE		34950-2011	34950-2021	34951-1631	34951-1641
MX150 ASSY BLD 2X10 BK A/10	334822160	A-BLACK	GCP	PLR	M-B	-	-	-	4	5	-	-	8	-	-	SALEABLE		34950-2011	34950-2021	34951-1631	34951-1641
MX150 ASSY BLD 2X10 BK A/12	334822161	A-BLACK	GCP	PLR	M-B	-	-	-	4	5	-	-	8	-	-	SALEABLE		34950-2011	34950-2021	34951-1631	34951-1641
MX150 ASSY BLD 2X10 YW A/9	334822162	A-YELLOW	GCP	PLR	M-B	-	-	3	-	-	6	7	8	9	10	SALEABLE		34950-2011	34950-2021	34951-1631	34951-1641
MX150 ASSY BLD 2X10 YW A/11	334822163	A-YELLOW	GCP	PLR	M-B	-	-	3	-	-	6	7	8	9	10	SALEABLE		34950-2011	34950-2021	34951-1631	34951-1641
MX150 ASSY BLD 2X10 YW A/15	334822164	A-YELLOW	GCP	PLR	M-B	-	-	3	-	-	-	7	-	-	10	SALEABLE		34950-2011	34950-2021	34951-1631	34951-1641

**MX150 2X10 BLADE SEALED ASSEMBLY MAT SEAL
BOM AND PIN OUT SHEET**

ASSEMBLY DESCRIPTION	ASSEMBLY PART NUMBER	COMPONENT				BLOCKED TERMINALS										STATUS	COMMENT	OPTIONAL ATTACHMENTS SOLD SEPARATELY													
		THE PRESENCE OF AN ABBREVIATION INDICATES THE PRESENCE OF THAT COMPONENT				CAVITY WITH A NUMBER INDICATES BLOCKED TERMINAL POSITION CAVITY WITHOUT A NUMBER INDICATES OPEN TERMINAL POSITION												BACKSHELL WITH RIBS	BACKSHELL WITHOUT RIBS	90° ADAPTOR WITH RIBS	90° ADAPTOR WITHOUT RIBS										
		HOUSING KEY/COLOR	GROMMET CAP	PLR	MAT SEAL	1	2	3	4	5	6	7	8	9	10							11	12	13	14	15	16	17	18	19	20
MX150 ASSY BLD 2X10 YW A/2	334822165	A-YELLOW	GCP	PLR	M-B	-	-	3	4	5	6	7	8	9	10	11	12	13	14	15	16	17	18	19	20	SALEABLE		34950-2011	34950-2021	34951-1631	34951-1641
MX150 ASSY BLD 2X10 YW A/7	334822166	A-YELLOW	GCP	PLR	M-B	-	-	3	4	5	6	7	8	9	10	11	12	13	14	-	-	-	18	-	-	SALEABLE		34950-2011	34950-2021	34951-1631	34951-1641
MX150 ASSY BLD 2X10 YW A/14	334822167	A-YELLOW	GCP	PLR	M-B	-	-	3	-	-	-	7	8	9	10	-	-	-	14	-	-	-	-	-	-	SALEABLE		34950-2011	34950-2021	34951-1631	34951-1641
MX150 ASSY BLD 2X10 BK A/12	334822168	A-BLACK	GCP	PLR	M-B	-	-	3	4	5	-	7	-	-	-	-	-	13	-	15	-	-	18	19	-	SALEABLE		34950-2011	34950-2021	34951-1631	34951-1641
MX150 ASSY BLD 2X10 BK A/14	334822169	A-BLACK	GCP	PLR	M-B	-	-	-	-	-	-	7	-	-	10	-	-	-	14	-	-	17	18	19	-	SALEABLE		34950-2011	34950-2021	34951-1631	34951-1641
MX150 ASSY BLD 2X10 BK A/11	334822170	A-BLACK	GCP	PLR	M-B	-	2	3	4	5	-	-	-	-	-	-	-	-	-	-	-	-	-	-	-	SALEABLE		34950-2011	34950-2021	34951-1631	34951-1641
MX150 ASSY BLD 2X10 BK A/17	334822171	A-BLACK	GCP	PLR	M-B	-	-	-	-	-	-	-	-	-	-	11	-	-	-	-	-	17	-	19	-	SALEABLE		34950-2011	34950-2021	34951-1631	34951-1641
MX150 ASSY BLD 2X10 BK A/9	334822172	A-BLACK	GCP	PLR	M-B	1	2	3	4	5	6	7	8	-	-	11	-	-	-	-	-	17	-	19	-	SALEABLE		34950-2011	34950-2021	34951-1631	34951-1641
MX150 ASSY BLD 2X10 BK A/18	334822173	A-BLACK	GCP	PLR	M-B	-	-	-	-	-	-	-	8	-	-	-	-	-	-	15	-	-	-	-	-	SALEABLE		34950-2011	34950-2021	34951-1631	34951-1641
MX150 ASSY BLD 2X10 BK A/15	334822174	A-BLACK	GCP	PLR	M-B	1	-	-	-	-	-	-	8	-	10	-	-	-	-	15	-	17	-	-	-	SALEABLE		34950-2011	34950-2021	34951-1631	34951-1641
MX150 ASSY BLD 2X10 BK A/14	334822175	A-BLACK	GCP	PLR	M-B	1	-	-	-	-	-	-	8	9	-	11	-	-	-	-	-	-	-	19	20	SALEABLE		34950-2011	34950-2021	34951-1631	34951-1641
MX150 ASSY BLD 2X10 BK A/17	334822176	A-BLACK	GCP	PLR	M-B	-	-	-	-	-	-	-	-	-	-	-	-	-	-	-	-	-	-	19	20	SALEABLE		34950-2011	34950-2021	34951-1631	34951-1641
MX150 ASSY BLD 2X10 BK A/16	334822177	A-BLACK	GCP	PLR	M-B	-	-	-	-	-	-	-	-	-	-	-	-	13	-	-	16	-	-	19	20	SALEABLE		34950-2011	34950-2021	34951-1631	34951-1641
MX150 ASSY BLD 2X10 BK A/18	334822178	A-BLACK	GCP	PLR	M-B	-	-	-	4	-	-	-	-	-	-	-	-	-	14	-	-	-	-	-	-	SALEABLE		34950-2011	34950-2021	34951-1631	34951-1641
MX150 ASSY BLD 2X10 BK A/6	334822179	A-BLACK	GCP	PLR	M-B	-	-	-	4	5	6	7	8	9	10	-	-	-	14	15	16	17	18	19	20	SALEABLE		34950-2011	34950-2021	34951-1631	34951-1641
MX150 ASSY BLD 2X10 BK A/11	334822180	A-BLACK	GCP	PLR	M-B	1	-	-	-	-	-	-	8	-	10	11	12	13	14	15	-	17	-	-	-	SALEABLE		34950-2011	34950-2021	34951-1631	34951-1641
MX150 ASSY BLD 2X10 BK A/9	334822181	A-BLACK	GCP	PLR	M-B	1	-	3	4	-	-	-	8	9	-	11	-	13	14	-	-	-	18	19	20	SALEABLE		34950-2011	34950-2021	34951-1631	34951-1641
MX150 ASSY BLD 2X10 BK A/8	334822182	A-BLACK	GCP	PLR	M-B	1	-	3	4	-	-	-	8	9	10	11	-	13	14	-	-	-	18	19	20	SALEABLE		34950-2011	34950-2021	34951-1631	34951-1641
MX150 ASSY BLD 2X10 BK A/13	334822183	A-BLACK	GCP	PLR	M-B	1	-	-	-	-	-	-	8	9	10	11	-	-	-	-	-	-	-	19	20	SALEABLE		34950-2011	34950-2021	34951-1631	34951-1641
MX150 ASSY BLD 2X10 BK A/17	334822184	A-BLACK	GCP	PLR	M-B	1	-	-	-	-	-	-	-	9	-	-	12	-	-	-	-	-	-	-	-	SALEABLE		34950-2011	34950-2021	34951-1631	34951-1641
MX150 ASSY BLD 2X10 BK A/18	334822185	A-BLACK	GCP	PLR	M-B	1	-	-	-	-	-	-	-	-	-	-	-	-	-	-	-	-	-	19	-	SALEABLE		34950-2011	34950-2021	34951-1631	34951-1641
MX150 ASSY BLD 2X10 BK A/14	334822186	A-BLACK	GCP	PLR	M-B	-	2	3	-	5	-	-	-	-	-	-	-	-	-	-	-	-	-	19	20	SALEABLE		34950-2011	34950-2021	34951-1631	34951-1641
MX150 ASSY BLD 2X10 BK A/16	334822187	A-BLACK	GCP	PLR	M-B	1	-	-	-	-	-	-	-	-	-	-	12	13	-	-	-	-	-	19	-	SALEABLE		34950-2011	34950-2021	34951-1631	34951-1641
MX150 ASSY BLD 2X10 BK A/11	334822188	A-BLACK	GCP	PLR	M-B	1	-	-	-	5	6	7	8	-	-	-	12	13	-	15	-	-	-	19	-	SALEABLE		34950-2011	34950-2021	34951-1631	34951-1641
MX150 ASSY BLD 2X10 BK A/5	334822189	A-BLACK	GCP	PLR	M-B	1	2	3	4	5	6	7	8	9	-	-	12	13	14	15	16	-	-	19	-	SALEABLE		34950-2011	34950-2021	34951-1631	34951-1641
MX150 ASSY BLD 2X10 BK A/2	334822190	A-BLACK	GCP	PLR	M-B	1	2	3	4	5	6	7	8	9	10	11	12	13	14	15	16	-	-	19	20	SALEABLE		34950-2011	34950-2021	34951-1631	34951-1641
MX150 ASSY BLD 2X10 BK A/8	334822191	A-BLACK	GCP	PLR	M-B	1	2	3	4	5	6	-	8	-	10	-	-	13	-	-	16	-	-	19	20	SALEABLE		34950-2011	34950-2021	34951-1631	34951-1641

ASSEMBLY DESCRIPTION	ASSEMBLY PART NUMBER	COMPONENT				BLOCKED TERMINALS										STATUS	COMMENT	OPTIONAL ATTACHMENTS SOLD SEPARATELY					
		THE PRESENCE OF AN ABBREVIATION INDICATES THE PRESENCE OF THAT COMPONENT				CAVITY WITH A NUMBER INDICATES BLOCKED TERMINAL POSITION CAVITY WITHOUT A NUMBER INDICATES OPEN TERMINAL POSITION												BACKSHELL WITH RIBS	BACKSHELL WITHOUT RIBS	90° ADAPTOR WITH RIBS	90° ADAPTOR WITHOUT RIBS		
		HOUSING KEY/COLOR	GROMMET CAP	PLR	MAT SEAL	1	2	3	4	5	6	7	8	9	10							11	12
MX150 ASSY BLD 2X10 BK A/14	334822192	A-BLACK	GCP	PLR	M-B	-	2	-	-	-	-	-	8	-	-	SALEABLE		34950-2011	34950-2021	34951-1631	34951-1641		
MX150 ASSY BLD 2X10 BK A/6	334822193	A-BLACK	GCP	PLR	M-B	1	2	3	4	5	6	7	8	9	10	SALEABLE		34950-2011	34950-2021	34951-1631	34951-1641		
MX150 ASSY BLD 2X10 BK A/7	334822194	A-BLACK	GCP	PLR	M-B	1	2	3	4	5	6	-	8	9	10	SALEABLE		34950-2011	34950-2021	34951-1631	34951-1641		
MX150 ASSY BLD 2X10 BK A/15	334822195	A-BLACK	GCP	PLR	M-B	-	2	-	-	-	-	-	-	-	-	SALEABLE		34950-2011	34950-2021	34951-1631	34951-1641		
MX150 ASSY BLD 2X10 LG B/9	334822196	B-LIGHT GRAY	GCP	PLR	M-B	1	2	3	4	5	6	7	8	-	-	SALEABLE		34950-2011	34950-2021	34951-1631	34951-1641		
MX150 ASSY BLD 2X10 LG B/17	334822197	B-LIGHT GRAY	GCP	PLR	M-B	-	-	-	-	-	-	-	-	-	-	SALEABLE		34950-2011	34950-2021	34951-1631	34951-1641		
MX150 ASSY BLD 2X10 BK A/12	334822198	A-BLACK	GCP	PLR	M-B	1	2	3	-	-	-	7	-	9	-	SALEABLE		34950-2011	34950-2021	34951-1631	34951-1641		
MX150 ASSY BLD 2X10 BK A/6	334822199	A-BLACK	GCP	PLR	M-B	1	2	3	4	5	-	7	8	9	-	SALEABLE		34950-2011	34950-2021	34951-1631	34951-1641		
MX150 ASSY BLD 2X10 BK A/8	334822200	A-BLACK	GCP	PLR	M-B	1	2	3	4	5	-	-	-	-	-	SALEABLE		34950-2011	34950-2021	34951-1631	34951-1641		
MX150 ASSY BLD 2X10 BK A/12	334822201	A-BLACK	GCP	PLR	M-B	1	2	-	-	-	-	-	-	9	10	SALEABLE		34950-2011	34950-2021	34951-1631	34951-1641		
MX150 ASSY BLD 2X10 BK A/12	334822202	A-BLACK	GCP	PLR	M-B	-	2	3	4	5	-	-	8	9	-	SALEABLE		34950-2011	34950-2021	34951-1631	34951-1641		
MX150 ASSY BLD 2X10 BK A/14	334822203	A-BLACK	GCP	PLR	M-B	1	2	3	-	-	-	-	-	9	-	SALEABLE		34950-2011	34950-2021	34951-1631	34951-1641		
MX150 ASSY BLD 2X10 BK A/11	334822204	A-BLACK	GCP	PLR	M-B	-	-	-	4	5	6	-	-	-	-	SALEABLE		34950-2011	34950-2021	34951-1631	34951-1641		
MX150 ASSY BLD 2X10 LG B/12	334822205	B-LIGHT GRAY	GCP	PLR	M-B	-	-	3	4	5	-	-	8	9	10	SALEABLE		34950-2011	34950-2021	34951-1631	34951-1641		
MX150 ASSY BLD 2X10 BK A/10	334822206	A-BLACK	GCP	PLR	M-B	1	2	3	4	5	6	-	-	-	-	SALEABLE		34950-2011	34950-2021	34951-1631	34951-1641		
MX150 ASSY BLD 2X10 LG B/15	334822207	B-LIGHT GRAY	GCP	PLR	M-B	-	-	-	4	5	6	-	-	9	10	SALEABLE		34950-2011	34950-2021	34951-1631	34951-1641		
MX150 ASSY BLD 2X10 LG B/17	334822208	B-LIGHT GRAY	GCP	PLR	M-B	-	-	-	-	-	-	-	-	9	10	SALEABLE		34950-2011	34950-2021	34951-1631	34951-1641		
MX150 ASSY BLD 2X10 LG B/13	334822209	B-LIGHT GRAY	GCP	PLR	M-B	-	-	-	4	5	6	7	-	-	10	SALEABLE		34950-2011	34950-2021	34951-1631	34951-1641		
MX150 ASSY BLD 2X10 BK A/13	334822210	A-BLACK	GCP	PLR	M-B	1	-	-	-	-	-	-	-	9	10	SALEABLE		34950-2011	34950-2021	34951-1631	34951-1641		
MX150 ASSY BLD 2X10 BK A/12	334822211	A-BLACK	GCP	PLR	M-B	1	2	-	-	-	-	7	-	-	10	SALEABLE		34950-2011	34950-2021	34951-1631	34951-1641		
MX150 ASSY BLD 2X10 BK A/17	334822213	A-BLACK	GCP	PLR	M-B	-	-	-	-	-	-	-	-	-	-	SALEABLE		34950-2011	34950-2021	34951-1631	34951-1641		
MX150 ASSY BLD 2X10 BK A/19	334822214	A-BLACK	GCP	PLR	M-B	-	-	-	-	-	-	-	-	-	-	SALEABLE		34950-2011	34950-2021	34951-1631	34951-1641		
MX150 ASSY BLD 2X10 BK A/15	334822215	A-BLACK	GCP	PLR	M-B	-	2	-	-	-	-	-	8	-	10	SALEABLE		34950-2011	34950-2021	34951-1631	34951-1641		
MX150 ASSY BLD 2X10 BK A/18	334822216	A-BLACK	GCP	PLR	M-B	-	-	-	-	-	-	-	-	-	-	SALEABLE		34950-2011	34950-2021	34951-1631	34951-1641		
MX150 ASSY BLD 2X10 BK A/16	334822217	A-BLACK	GCP	PLR	M-B	-	-	-	-	-	-	7	-	-	-	SALEABLE		34950-2011	34950-2021	34951-1631	34951-1641		
MX150 ASSY BLD 2X10 BK A/12	334822218	A-BLACK	GCP	PLR	M-B	1	2	3	4	5	6	-	-	-	-	SALEABLE		34950-2011	34950-2021	34951-1631	34951-1641		
MX150 ASSY BLD 2X10 BK A/18	334822219	A-BLACK	GCP	PLR	M-B	-	-	-	-	-	6	-	-	-	-	SALEABLE		34950-2011	34950-2021	34951-1631	34951-1641		

**MX150 2X10 BLADE SEALED ASSEMBLY MAT SEAL
BOM AND PIN OUT SHEET**

ASSEMBLY DESCRIPTION	ASSEMBLY PART NUMBER	COMPONENT				BLOCKED TERMINALS										STATUS	COMMENT	OPTIONAL ATTACHMENTS SOLD SEPARATELY					
		THE PRESENCE OF AN ABBREVIATION INDICATES THE PRESENCE OF THAT COMPONENT				CAVITY WITH A NUMBER INDICATES BLOCKED TERMINAL POSITION CAVITY WITHOUT A NUMBER INDICATES OPEN TERMINAL POSITION												BACKSHELL WITH RIBS	BACKSHELL WITHOUT RIBS	90° ADAPTOR WITH RIBS	90° ADAPTOR WITHOUT RIBS		
		HOUSING KEY/COLOR	GROMMET CAP	PLR	MAT SEAL	1	2	3	4	5	6	7	8	9	10							11	12
MX150 ASSY BLD 2X10 BK A/10	334822220	A-BLACK	GCP	PLR	M-B	1	-	3	-	5	-	7	-	9	-	SALEABLE		34950-2011	34950-2021	34951-1631	34951-1641		
MX150 ASSY BLD 2X10 BK A/10	334822221	A-BLACK	GCP	PLR	M-B	-	2	-	4	-	6	-	8	-	10	SALEABLE		34950-2011	34950-2021	34951-1631	34951-1641		
MX150 ASSY BLD 2X10 BK A/14	334822222	A-BLACK	GCP	PLR	M-B	1	2	3	-	-	-	-	-	9	-	SALEABLE		34950-2011	34950-2021	34951-1631	34951-1641		
MX150 ASSY BLD 2X10 BK A/17	334822223	A-BLACK	GCP	PLR	M-B	-	-	-	-	-	7	-	-	-	-	SALEABLE		34950-2011	34950-2021	34951-1631	34951-1641		
MX150 ASSY BLD 2X10 BK A/15	334822224	A-BLACK	GCP	PLR	M-B	-	-	-	-	-	-	-	-	-	10	SALEABLE		34950-2011	34950-2021	34951-1631	34951-1641		
MX150 ASSY BLD 2X10 BK A/8	334822225	A-BLACK	GCP	PLR	M-B	1	2	3	4	5	6	-	8	-	10	SALEABLE		34950-2011	34950-2021	34951-1631	34951-1641		
MX150 ASSY BLD 2X10 LG B/16	334822226	B-LIGHT GRAY	GCP	PLR	M-B	-	-	-	-	-	-	-	-	-	-	SALEABLE		34950-2011	34950-2021	34951-1631	34951-1641		
MX150 ASSY BLD 2X10 BK A/12	334822227	A-BLACK	GCP	PLR	M-B	-	-	3	-	-	-	-	-	-	10	SALEABLE		34950-2011	34950-2021	34951-1631	34951-1641		
MX150 ASSY BLD 2X10 BK A/6	334822228	A-BLACK	GCP	PLR	M-B	-	-	3	4	5	6	7	8	9	10	SALEABLE		34950-2011	34950-2021	34951-1631	34951-1641		
MX150 ASSY BLD 2X10 BK A/7	334822229	A-BLACK	GCP	PLR	M-B	-	-	3	4	5	6	7	8	9	10	SALEABLE		34950-2011	34950-2021	34951-1631	34951-1641		
MX150 ASSY BLD 2X10 BK A/13	334822230	A-BLACK	GCP	PLR	M-B	-	-	3	-	-	-	-	-	-	10	SALEABLE		34950-2011	34950-2021	34951-1631	34951-1641		
MX150 ASSY BLD 2X10 BK A/10	334822231	A-BLACK	GCP	PLR	M-B	1	2	3	4	5	6	-	8	-	10	SALEABLE		34950-2011	34950-2021	34951-1631	34951-1641		
MX150 ASSY BLD 2X10 BK A/18	334822232	A-BLACK	GCP	PLR	M-B	-	-	-	-	-	-	-	-	-	-	SALEABLE		34950-2011	34950-2021	34951-1631	34951-1641		
MX150 ASSY BLD 2X10 LG B/7	334822233	B-LIGHT GRAY	GCP	PLR	M-B	1	2	3	4	5	6	7	8	-	-	SALEABLE		34950-2011	34950-2021	34951-1631	34951-1641		
MX150 ASSY BLD 2X10 LG B/15	334822234	B-LIGHT GRAY	GCP	PLR	M-B	-	-	-	-	-	-	-	-	-	-	SALEABLE		34950-2011	34950-2021	34951-1631	34951-1641		
MX150 ASSY BLD 2X10 LG B/15	334822235	B-LIGHT GRAY	GCP	PLR	M-B	-	2	3	-	-	-	-	-	-	-	SALEABLE		34950-2011	34950-2021	34951-1631	34951-1641		
MX150 ASSY BLD 2X10 BK A/8	334822236	A-BLACK	GCP	PLR	M-B	-	-	3	4	-	6	7	8	9	-	SALEABLE		34950-2011	34950-2021	34951-1631	34951-1641		
MX150 ASSY BLD 2X10 BK A/13	334822237	A-BLACK	GCP	PLR	M-B	-	-	3	4	5	6	7	-	-	-	SALEABLE		34950-2011	34950-2021	34951-1631	34951-1641		
MX150 ASSY BLD 2X10 BK A/17	334822238	A-BLACK	GCP	PLR	M-B	-	-	-	-	5	-	-	-	-	-	SALEABLE		34950-2011	34950-2021	34951-1631	34951-1641		
MX150 ASSY BLD 2X10 BK A/11	334822239	A-BLACK	GCP	PLR	M-B	-	-	3	4	5	6	7	-	-	10	SALEABLE		34950-2011	34950-2021	34951-1631	34951-1641		
MX150 ASSY BLD 2X10 BK A/15	334822240	A-BLACK	GCP	PLR	M-B	-	-	-	-	5	-	-	-	-	10	SALEABLE		34950-2011	34950-2021	34951-1631	34951-1641		
MX150 ASSY BLD 2X10 BK A/6	334822241	A-BLACK	GCP	PLR	M-B	-	-	3	4	-	6	7	8	9	10	SALEABLE		34950-2011	34950-2021	34951-1631	34951-1641		
MX150 ASSY BLD 2X10 BK A/12	334822242	A-BLACK	GCP	PLR	M-B	1	2	3	4	5	6	-	8	-	10	SALEABLE		34950-2011	34950-2021	34951-1631	34951-1641		
MX150 ASSY BLD 2X10 BK A/6	334822243	A-BLACK	GCP	PLR	M-B	1	2	3	-	-	-	-	8	9	-	SALEABLE		34950-2011	34950-2021	34951-1631	34951-1641		
MX150 ASSY BLD 2X10 BK A/4	334822244	A-BLACK	GCP	PLR	M-B	1	2	3	-	-	-	7	8	9	10	SALEABLE		34950-2011	34950-2021	34951-1631	34951-1641		
MX150 ASSY BLD 2X10 BK A/6	334822245	A-BLACK	GCP	PLR	M-B	-	2	3	-	-	-	7	8	9	10	SALEABLE		34950-2011	34950-2021	34951-1631	34951-1641		
MX150 ASSY BLD 2X10 BK A/4	334822246	A-BLACK	GCP	PLR	M-B	1	2	3	4	5	-	-	8	9	-	SALEABLE		34950-2011	34950-2021	34951-1631	34951-1641		

ASSEMBLY DESCRIPTION	ASSEMBLY PART NUMBER	COMPONENT				BLOCKED TERMINALS										STATUS	COMMENT	OPTIONAL ATTACHMENTS SOLD SEPARATELY			
		THE PRESENCE OF AN ABBREVIATION INDICATES THE PRESENCE OF THAT COMPONENT				CAVITY WITH A NUMBER INDICATES BLOCKED TERMINAL POSITION CAVITY WITHOUT A NUMBER INDICATES OPEN TERMINAL POSITION												BACKSHELL WITH RIBS	BACKSHELL WITHOUT RIBS	90° ADAPTOR WITH RIBS	90° ADAPTOR WITHOUT RIBS
		HOUSING KEY/COLOR	GROMMET CAP	PLR	MAT SEAL	1	2	3	4	5	6	7	8	9	10						
MX150 ASSY BLD 2X10 BK A/2	334822247	A-BLACK	GCP	PLR	M-B	1	2	3	4	5	-	7	8	9	10			34950-2011	34950-2021	34951-1631	34951-1641
MX150 ASSY BLD 2X10 BK A/10	334822248	A-BLACK	GCP	PLR	M-B	-	2	-	-	-	-	8	-	-			34950-2011	34950-2021	34951-1631	34951-1641	
MX150 ASSY BLD 2X10 BK A/14	334822249	A-BLACK	GCP	PLR	M-B	-	2	-	-	-	-	8	-	-			34950-2011	34950-2021	34951-1631	34951-1641	
MX150 ASSY BLD 2X10 BK A/12	334822250	A-BLACK	GCP	PLR	M-B	-	-	-	-	-	-	-	-	-			34950-2011	34950-2021	34951-1631	34951-1641	
MX150 ASSY BLD 2X10 BK A/8	334822251	A-BLACK	GCP	PLR	M-B	1	2	3	4	5	6	7	8	-	-			34950-2011	34950-2021	34951-1631	34951-1641
MX150 ASSY BLD 2X10 BK A/4	334822252	A-BLACK	GCP	PLR	M-B	1	2	3	4	5	6	7	8	-	-			34950-2011	34950-2021	34951-1631	34951-1641
MX150 ASSY BLD 2X10 BK A/11	334822253	A-BLACK	GCP	PLR	M-B	1	2	3	-	-	-	-	-	9	10			34950-2011	34950-2021	34951-1631	34951-1641
MX150 ASSY BLD 2X10 BK A/13	334822254	A-BLACK	GCP	PLR	M-B	1	-	-	-	-	-	-	-	9	10			34950-2011	34950-2021	34951-1631	34951-1641
MX150 ASSY BLD 2X10 BK A/7	334822255	A-BLACK	GCP	PLR	M-B	1	2	3	4	5	-	7	8	9	-			34950-2011	34950-2021	34951-1631	34951-1641
MX150 ASSY BLD 2X10 BK A/9	334822256	A-BLACK	GCP	PLR	M-B	1	2	3	-	-	-	7	-	9	-			34950-2011	34950-2021	34951-1631	34951-1641
MX150 ASSY BLD 2X10 BK A/9	334822257	A-BLACK	GCP	PLR	M-B	1	2	3	4	5	-	7	8	9	-			34950-2011	34950-2021	34951-1631	34951-1641
MX150 ASSY BLD 2X10 BK A/9	334822258	A-BLACK	GCP	PLR	M-B	1	2	3	-	-	-	7	-	9	10			34950-2011	34950-2021	34951-1631	34951-1641
MX150 ASSY BLD 2X10 BK A/10	334822259	A-BLACK	GCP	PLR	M-B	1	2	3	4	5	6	-	8	9	-			34950-2011	34950-2021	34951-1631	34951-1641
MX150 ASSY BLD 2X10 BK A/7	334822260	A-BLACK	GCP	PLR	M-B	1	2	3	-	-	6	-	-	9	10			34950-2011	34950-2021	34951-1631	34951-1641
MX150 ASSY BLD 2X10 BK A/14	334822261	A-BLACK	GCP	PLR	M-B	-	2	-	-	-	-	-	8	-	10			34950-2011	34950-2021	34951-1631	34951-1641
MX150 ASSY BLD 2X10 BK A/18	334822262	A-BLACK	GCP	PLR	M-B	-	2	-	-	-	-	-	8	-	-			34950-2011	34950-2021	34951-1631	34951-1641
MX150 ASSY BLD 2X10 BK A/7	334822263	A-BLACK	GCP	PLR	M-B	1	2	3	4	5	6	7	8	-	10			34950-2011	34950-2021	34951-1631	34951-1641
MX150 ASSY BLD 2X10 BK A/19	334822264	A-BLACK	GCP	PLR	M-B	-	-	-	-	5	-	-	-	-	-			34950-2011	34950-2021	34951-1631	34951-1641
MX150 ASSY BLD 2X10 BK A/18	334822265	A-BLACK	GCP	PLR	M-B	-	-	-	-	-	-	-	-	-	-			34950-2011	34950-2021	34951-1631	34951-1641
MX150 ASSY BLD 2X10 BK A/14	334822266	A-BLACK	GCP	PLR	M-B	-	-	3	-	-	-	-	-	-	-			34950-2011	34950-2021	34951-1631	34951-1641
MX150 ASSY BLD 2X10 BK A/9	334822267	A-BLACK	GCP	PLR	M-B	1	-	3	-	-	-	7	-	-	10			34950-2011	34950-2021	34951-1631	34951-1641
MX150 ASSY BLD 2X10 BK A/13	334822268	A-BLACK	GCP	PLR	M-B	1	-	-	-	-	-	7	-	-	10			34950-2011	34950-2021	34951-1631	34951-1641
MX150 ASSY BLD 2X10 BK A/10	334822269	A-BLACK	GCP	PLR	M-B	1	2	-	-	-	-	-	8	9	10			34950-2011	34950-2021	34951-1631	34951-1641
MX150 ASSY BLD 2X10 BK A/8	334822270	A-BLACK	GCP	PLR	M-B	1	2	-	4	5	-	-	8	9	10			34950-2011	34950-2021	34951-1631	34951-1641
MX150 ASSY BLD 2X10 BK A/6	334822271	A-BLACK	GCP	PLR	M-B	1	2	3	-	-	-	-	8	9	10			34950-2011	34950-2021	34951-1631	34951-1641
MX150 ASSY BLD 2X10 BK A/4	334822272	A-BLACK	GCP	PLR	M-B	1	2	3	4	5	-	-	8	9	10			34950-2011	34950-2021	34951-1631	34951-1641
MX150 ASSY BLD 2X10 BK A/8	334822273	A-BLACK	GCP	PLR	M-B	1	2	-	-	-	-	7	8	9	10			34950-2011	34950-2021	34951-1631	34951-1641

**MX150 2X10 BLADE SEALED ASSEMBLY MAT SEAL
BOM AND PIN OUT SHEET**

ASSEMBLY DESCRIPTION	ASSEMBLY PART NUMBER	COMPONENT				BLOCKED TERMINALS										STATUS	COMMENT	OPTIONAL ATTACHMENTS SOLD SEPARATELY					
		THE PRESENCE OF AN ABBREVIATION INDICATES THE PRESENCE OF THAT COMPONENT				CAVITY WITH A NUMBER INDICATES BLOCKED TERMINAL POSITION CAVITY WITHOUT A NUMBER INDICATES OPEN TERMINAL POSITION												BACKSHELL WITH RIBS	BACKSHELL WITHOUT RIBS	90° ADAPTOR WITH RIBS	90° ADAPTOR WITHOUT RIBS		
		HOUSING KEY/COLOR	GROMMET CAP	PLR	MAT SEAL	1	2	3	4	5	6	7	8	9	10							11	12
MX150 ASSY BLD 2X10 BK A/17	334822301	A-BLACK	GCP	PLR	M-B	-	-	3	-	-	-	-	9	-	SALEABLE		34950-2011	34950-2021	34951-1631	34951-1641			
MX150 ASSY BLD 2X10 BK A/17	334822302	A-BLACK	GCP	PLR	M-B	-	12	-	-	-	-	-	9	-	SALEABLE		34950-2011	34950-2021	34951-1631	34951-1641			
MX150 ASSY BLD 2X10 BK A/11	334822303	A-BLACK	GCP	PLR	M-B	-	-	13	-	-	-	-	9	-	SALEABLE		34950-2011	34950-2021	34951-1631	34951-1641			
MX150 ASSY BLD 2X10 BK A/15	334822304	A-BLACK	GCP	PLR	M-B	-	2	-	-	-	-	8	9	-	SALEABLE		34950-2011	34950-2021	34951-1631	34951-1641			
MX150 ASSY BLD 2X10 BK A/9	334822305	A-BLACK	GCP	PLR	M-B	-	2	-	-	-	-	8	9	-	SALEABLE		34950-2011	34950-2021	34951-1631	34951-1641			
MX150 ASSY BLD 2X10 BK A/9	334822306	A-BLACK	GCP	PLR	M-B	1	2	3	4	5	6	7	8	9	-	SALEABLE		34950-2011	34950-2021	34951-1631	34951-1641		
MX150 ASSY BLD 2X10 BK A/3	334822307	A-BLACK	GCP	PLR	M-B	1	2	3	4	5	6	7	8	9	-	SALEABLE		34950-2011	34950-2021	34951-1631	34951-1641		
MX150 ASSY BLD 2X10 BK A/3	334822308	A-BLACK	GCP	PLR	M-B	1	2	3	-	-	6	7	8	9	10	SALEABLE		34950-2011	34950-2021	34951-1631	34951-1641		
MX150 ASSY BLD 2X10 BK A/13	334822309	A-BLACK	GCP	PLR	M-B	1	2	3	4	5	-	-	-	-	-	SALEABLE		34950-2011	34950-2021	34951-1631	34951-1641		
MX150 ASSY BLD 2X10 BK A/13	334822310	A-BLACK	GCP	PLR	M-B	-	2	3	-	5	-	-	-	-	-	SALEABLE		34950-2011	34950-2021	34951-1631	34951-1641		
MX150 ASSY BLD 2X10 BK A/3	334822311	A-BLACK	GCP	PLR	M-B	-	2	3	4	5	-	7	8	9	10	SALEABLE		34950-2011	34950-2021	34951-1631	34951-1641		
MX150 ASSY BLD 2X10 BK A/13	334822312	A-BLACK	GCP	PLR	M-B	-	2	-	-	5	6	-	-	9	10	SALEABLE		34950-2011	34950-2021	34951-1631	34951-1641		
MX150 ASSY BLD 2X10 BK A/13	334822313	A-BLACK	GCP	PLR	M-B	1	-	3	-	-	6	-	-	9	10	SALEABLE		34950-2011	34950-2021	34951-1631	34951-1641		
MX150 ASSY BLD 2X10 BK A/14	334822314	A-BLACK	GCP	PLR	M-B	-	-	-	-	-	-	-	-	9	10	SALEABLE		34950-2011	34950-2021	34951-1631	34951-1641		
MX150 ASSY BLD 2X10 BK A/8	334822315	A-BLACK	GCP	PLR	M-B	-	-	-	-	-	-	-	-	9	10	SALEABLE		34950-2011	34950-2021	34951-1631	34951-1641		
MX150 ASSY BLD 2X10 BK A/12	334822316	A-BLACK	GCP	PLR	M-B	-	2	-	-	-	-	-	8	9	10	SALEABLE		34950-2011	34950-2021	34951-1631	34951-1641		
MX150 ASSY BLD 2X10 BK A/6	334822317	A-BLACK	GCP	PLR	M-B	-	2	-	-	-	-	-	8	9	10	SALEABLE		34950-2011	34950-2021	34951-1631	34951-1641		
MX150 ASSY BLD 2X10 BK A/6	334822318	A-BLACK	GCP	PLR	M-B	1	2	3	4	5	6	7	8	9	10	SALEABLE		34950-2011	34950-2021	34951-1631	34951-1641		
MX150 ASSY BLD 2X10 BK A/15	334822319	A-BLACK	GCP	PLR	M-B	1	2	3	-	-	6	7	-	-	-	SALEABLE		34950-2011	34950-2021	34951-1631	34951-1641		
MX150 ASSY BLD 2X10 BK A/17	334822320	A-BLACK	GCP	PLR	M-B	-	2	3	-	-	6	-	-	-	-	SALEABLE		34950-2011	34950-2021	34951-1631	34951-1641		
MX150 ASSY BLD 2X10 BK A/5	334822321	A-BLACK	GCP	PLR	M-B	1	2	3	4	5	6	7	8	9	-	SALEABLE		34950-2011	34950-2021	34951-1631	34951-1641		
MX150 ASSY BLD 2X10 BK A/11	334822322	A-BLACK	GCP	PLR	M-B	1	2	3	4	5	-	-	8	9	-	SALEABLE		34950-2011	34950-2021	34951-1631	34951-1641		
MX150 ASSY BLD 2X10 BK A/5	334822323	A-BLACK	GCP	PLR	M-B	1	2	3	-	-	6	7	-	9	10	SALEABLE		34950-2011	34950-2021	34951-1631	34951-1641		
MX150 ASSY BLD 2X10 BK A/6	334822324	A-BLACK	GCP	PLR	M-B	1	2	3	4	5	6	7	8	-	10	SALEABLE		34950-2011	34950-2021	34951-1631	34951-1641		
MX150 ASSY BLD 2X10 LG B/16	334822325	B-LIGHT GRAY	GCP	PLR	M-B	-	-	-	-	-	-	-	-	-	-	SALEABLE		34950-2011	34950-2021	34951-1631	34951-1641		
MX150 ASSY BLD 2X10 BK A/6	334822326	A-BLACK	GCP	PLR	M-B	1	2	-	-	-	6	7	8	9	10	SALEABLE		34950-2011	34950-2021	34951-1631	34951-1641		
MX150 ASSY BLD 2X10 BK A/4	334822327	A-BLACK	GCP	PLR	M-B	1	2	-	4	5	6	7	8	9	10	SALEABLE		34950-2011	34950-2021	34951-1631	34951-1641		

**MX150 2X10 BLADE SEALED ASSEMBLY MAT SEAL
BOM AND PIN OUT SHEET**

ASSEMBLY DESCRIPTION	ASSEMBLY PART NUMBER	COMPONENT				BLOCKED TERMINALS										STATUS	COMMENT	OPTIONAL ATTACHMENTS SOLD SEPARATELY													
		THE PRESENCE OF AN ABBREVIATION INDICATES THE PRESENCE OF THAT COMPONENT				CAVITY WITH A NUMBER INDICATES BLOCKED TERMINAL POSITION CAVITY WITHOUT A NUMBER INDICATES OPEN TERMINAL POSITION												BACKSHELL WITH RIBS	BACKSHELL WITHOUT RIBS	90° ADAPTOR WITH RIBS	90° ADAPTOR WITHOUT RIBS										
		HOUSING KEY/COLOR	GROMMET CAP	PLR	MAT SEAL	1	2	3	4	5	6	7	8	9	10							11	12	13	14	15	16	17	18	19	20
MX150 ASSY BLD 2X10 BK A/13	334822328	A-BLACK	GCP	PLR	M-B	-	-	-	-	-	-	7	8	9	10	11	-	13	-	-	16	-	-	-	-	SALEABLE		34950-2011	34950-2021	34951-1631	34951-1641
MX150 ASSY BLD 2X10 LG B/14	334822329	B-LIGHT GRAY	GCP	PLR	M-B	-	-	-	-	-	-	-	-	-	10	11	-	-	-	15	16	17	-	-	20	SALEABLE		34950-2011	34950-2021	34951-1631	34951-1641
MX150 ASSY BLD 2X10 BK A/15	334822330	A-BLACK	GCP	PLR	M-B	-	2	-	-	5	6	-	-	9	10	-	-	-	-	-	-	-	-	-	-	SALEABLE		34950-2011	34950-2021	34951-1631	34951-1641
MX150 ASSY BLD 2X10 BK A/16	334822331	A-BLACK	GCP	PLR	M-B	-	2	-	-	-	6	-	-	9	10	-	-	-	-	-	-	-	-	-	-	SALEABLE		34950-2011	34950-2021	34951-1631	34951-1641
MX150 ASSY BLD 2X10 BK A/17	334822332	A-BLACK	GCP	PLR	M-B	-	-	-	-	-	6	-	-	9	10	-	-	-	-	-	-	-	-	-	-	SALEABLE		34950-2011	34950-2021	34951-1631	34951-1641
MX150 ASSY BLD 2X10 BK A/7	334822334	A-BLACK	GCP	PLR	M-B	-	-	3	4	-	6	7	-	9	10	-	-	13	14	-	16	17	18	19	20	SALEABLE		34950-2011	34950-2021	34951-1631	34951-1641
MX150 ASSY BLD 2X10 BK A/14	334822335	A-BLACK	GCP	PLR	M-B	-	-	3	4	-	-	7	-	-	10	-	-	-	-	-	16	17	-	-	-	SALEABLE		34950-2011	34950-2021	34951-1631	34951-1641
MX150 ASSY BLD 2X10 LG B/14	334822336	B-LIGHT GRAY	GCP	PLR	M-B	-	-	-	-	-	-	-	-	-	-	-	-	-	14	15	-	17	18	19	20	SALEABLE		34950-2011	34950-2021	34951-1631	34951-1641
MX150 ASSY BLD 2X10 LG B/18	334822337	B-LIGHT GRAY	GCP	PLR	M-B	-	-	-	-	-	-	-	-	-	-	-	-	-	-	-	-	-	-	19	20	SALEABLE		34950-2011	34950-2021	34951-1631	34951-1641
MX150 ASSY BLD 2X10 LG B/16	334822338	B-LIGHT GRAY	GCP	PLR	M-B	-	2	-	4	-	-	-	-	-	-	-	-	-	-	-	-	-	19	20	SALEABLE		34950-2011	34950-2021	34951-1631	34951-1641	
MX150 ASSY BLD 2X10 LG B/9	334822339	B-LIGHT GRAY	GCP	PLR	M-B	-	-	-	-	5	6	-	-	-	-	11	12	13	14	15	-	17	18	19	20	SALEABLE		34950-2011	34950-2021	34951-1631	34951-1641
MX150 ASSY BLD 2X10 BK A/14	334822340	A-BLACK	GCP	PLR	M-B	-	2	3	-	5	6	-	-	-	-	-	12	13	-	-	-	-	-	-	-	SALEABLE		34950-2011	34950-2021	34951-1631	34951-1641
MX150 ASSY BLD 2X10 BK A/17	334822341	A-BLACK	GCP	PLR	M-B	-	-	-	-	5	6	-	-	-	-	-	-	-	-	-	-	-	19	-	SALEABLE		34950-2011	34950-2021	34951-1631	34951-1641	
MX150 ASSY BLD 2X10 LG B/10	334822342	B-LIGHT GRAY	GCP	PLR	M-B	-	-	-	-	5	6	-	-	-	-	11	12	13	14	15	-	17	18	-	20	SALEABLE		34950-2011	34950-2021	34951-1631	34951-1641
MX150 ASSY BLD 2X10 LG B/17	334822343	B-LIGHT GRAY	GCP	PLR	M-B	-	-	-	-	-	-	-	-	-	-	-	-	-	-	-	-	17	18	-	20	SALEABLE		34950-2011	34950-2021	34951-1631	34951-1641
MX150 ASSY BLD 2X10 LG B/15	334822344	B-LIGHT GRAY	GCP	PLR	M-B	-	-	-	-	-	-	-	-	-	-	-	-	-	14	15	-	17	18	-	20	SALEABLE		34950-2011	34950-2021	34951-1631	34951-1641
MX150 ASSY BLD 2X10 LG B/19	334822345	B-LIGHT GRAY	GCP	PLR	M-B	-	-	-	-	-	-	-	-	-	-	-	-	-	-	-	-	-	-	20	SALEABLE		34950-2011	34950-2021	34951-1631	34951-1641	
MX150 ASSY BLD 2X10 BK A/18	334822346	A-BLACK	GCP	PLR	M-B	-	-	-	-	-	-	-	-	-	-	-	-	-	-	-	-	-	19	20	SALEABLE		34950-2011	34950-2021	34951-1631	34951-1641	
MX150 ASSY BLD 2X10 BK A/4	334822347	A-BLACK	GCP	PLR	M-B	-	2	3	4	5	6	7	8	9	-	-	12	13	14	15	16	17	18	19	-	SALEABLE		34950-2011	34950-2021	34951-1631	34951-1641
MX150 ASSY BLD 2X10 BK A/16	334822348	A-BLACK	GCP	PLR	M-B	-	2	-	-	-	6	-	-	-	10	-	-	-	-	15	-	-	-	-	-	SALEABLE		34950-2011	34950-2021	34951-1631	34951-1641
MX150 ASSY BLD 2X10 BK A/12	334822349	A-BLACK	GCP	PLR	M-B	-	-	3	4	5	-	7	-	-	10	-	-	-	-	-	-	18	19	20	SALEABLE		34950-2011	34950-2021	34951-1631	34951-1641	
MX150 ASSY BLD 2X10 BK A/9	334822350	A-BLACK	GCP	PLR	M-B	-	-	3	4	-	6	-	8	9	-	-	12	13	14	15	16	17	-	-	-	SALEABLE		34950-2011	34950-2021	34951-1631	34951-1641
MX150 ASSY BLD 2X10 BK A/15	334822351	A-BLACK	GCP	PLR	M-B	-	-	3	4	5	-	-	-	-	-	-	-	-	-	-	-	-	18	19	-	SALEABLE		34950-2011	34950-2021	34951-1631	34951-1641
MX150 ASSY BLD 2X10 BK A/14	334822352	A-BLACK	GCP	PLR	M-B	-	-	3	4	5	6	-	-	-	-	-	-	-	-	-	-	-	18	19	-	SALEABLE		34950-2011	34950-2021	34951-1631	34951-1641
MX150 ASSY BLD 2X10 LG B/17	334822353	B-LIGHT GRAY	GCP	PLR	M-B	-	-	-	-	5	6	-	-	-	-	-	-	-	-	-	-	-	19	-	SALEABLE		34950-2011	34950-2021	34951-1631	34951-1641	
MX150 ASSY BLD 2X10 BK A/15	334822354	A-BLACK	GCP	PLR	M-B	-	2	3	-	-	6	-	-	-	10	-	12	-	-	-	-	-	-	-	-	SALEABLE		34950-2011	34950-2021	34951-1631	34951-1641
MX150 ASSY BLD 2X10 BK A/8	334822355	A-BLACK	GCP	PLR	M-B	1	-	3	4	5	6	7	8	9	10	11	12	-	-	-	-	-	-	-	20	SALEABLE		34950-2011	34950-2021	34951-1631	34951-1641

ASSEMBLY DESCRIPTION	ASSEMBLY PART NUMBER	COMPONENT				BLOCKED TERMINALS										STATUS	COMMENT	OPTIONAL ATTACHMENTS SOLD SEPARATELY															
		THE PRESENCE OF AN ABBREVIATION INDICATES THE PRESENCE OF THAT COMPONENT				CAVITY WITH A NUMBER INDICATES BLOCKED TERMINAL POSITION CAVITY WITHOUT A NUMBER INDICATES OPEN TERMINAL POSITION												BACKSHELL WITH RIBS	BACKSHELL WITHOUT RIBS	90° ADAPTOR WITH RIBS	90° ADAPTOR WITHOUT RIBS												
		HOUSING KEY/COLOR	GROMMET CAP	PLR	MAT SEAL	1	2	3	4	5	6	7	8	9	10							11	12	13	14	15	16	17	18	19	20		
MX150 ASSY BLD 2X10 BK A/14	334822356	A-BLACK	GCP	PLR	M-B	1	-	-	-	-	-	-	-	9	10	11	12	-	-	-	-	-	-	-	-	-	20	SALEABLE		34950-2011	34950-2021	34951-1631	34951-1641
MX150 ASSY BLD 2X10 LG B/6	334822357	B-LIGHT GRAY	GCP	PLR	M-B	-	-	-	-	5	6	7	8	9	10	11	12	13	14	-	-	17	18	19	20	SALEABLE		34950-2011	34950-2021	34951-1631	34951-1641		
MX150 ASSY BLD 2X10 BK A/12	334822358	A-BLACK	GCP	PLR	M-B	-	-	-	-	5	-	-	-	9	-	-	12	-	-	15	16	-	18	19	20	SALEABLE		34950-2011	34950-2021	34951-1631	34951-1641		
MX150 ASSY BLD 2X10 LG B/8	334822359	B-LIGHT GRAY	GCP	PLR	M-B	1	2	3	4	5	6	7	8	-	-	-	-	13	-	-	16	-	-	19	20	SALEABLE		34950-2011	34950-2021	34951-1631	34951-1641		
MX150 ASSY BLD 2X10 BK A/11	334822360	A-BLACK	GCP	PLR	M-B	1	2	-	-	-	-	-	8	9	10	-	-	-	14	-	-	17	18	19	-	SALEABLE		34950-2011	34950-2021	34951-1631	34951-1641		
MX150 ASSY BLD 2X10 BK A/11	334822361	A-BLACK	GCP	PLR	M-B	1	2	-	-	-	-	-	-	9	10	-	-	-	14	-	16	17	18	19	-	SALEABLE		34950-2011	34950-2021	34951-1631	34951-1641		
MX150 ASSY BLD 2X10 BK A/14	334822362	A-BLACK	GCP	PLR	M-B	-	-	-	-	-	-	-	-	9	10	-	-	-	14	-	-	17	18	19	-	SALEABLE		34950-2011	34950-2021	34951-1631	34951-1641		
MX150 ASSY BLD 2X10 BK A/10	334822363	A-BLACK	GCP	PLR	M-B	1	2	3	-	-	6	7	-	-	10	11	12	-	-	-	16	-	-	19	-	SALEABLE		34950-2011	34950-2021	34951-1631	34951-1641		
MX150 ASSY BLD 2X10 BK A/8	334822364	A-BLACK	GCP	PLR	M-B	1	-	-	-	-	-	-	8	9	10	-	12	-	14	15	16	17	18	19	20	SALEABLE		34950-2011	34950-2021	34951-1631	34951-1641		
MX150 ASSY BLD 2X10 BK A/12	334822365	A-BLACK	GCP	PLR	M-B	1	-	-	-	-	-	-	-	-	-	-	-	-	14	15	16	17	18	19	20	SALEABLE		34950-2011	34950-2021	34951-1631	34951-1641		
MX150 ASSY BLD 2X10 BK A/6	334822366	A-BLACK	GCP	PLR	M-B	1	-	-	-	-	-	-	8	9	10	11	12	13	14	15	16	17	18	19	20	SALEABLE		34950-2011	34950-2021	34951-1631	34951-1641		
MX150 ASSY BLD 2X10 BK A/16	334822367	A-BLACK	GCP	PLR	M-B	1	-	-	-	-	-	-	-	-	-	11	-	-	-	-	-	-	-	19	20	SALEABLE		34950-2011	34950-2021	34951-1631	34951-1641		
MX150 ASSY BLD 2X10 BK A/16	334822368	A-BLACK	GCP	PLR	M-B	-	-	3	-	-	6	-	8	9	-	-	-	-	-	-	-	-	-	-	-	SALEABLE		34950-2011	34950-2021	34951-1631	34951-1641		
MX150 ASSY BLD 2X10 BK A/15	334822369	A-BLACK	GCP	PLR	M-B	-	-	-	-	-	-	-	-	9	-	-	-	-	-	-	-	17	18	19	20	SALEABLE		34950-2011	34950-2021	34951-1631	34951-1641		
MX150 ASSY BLD 2X10 BK A/18	334822370	A-BLACK	GCP	PLR	M-B	-	-	-	-	-	6	-	-	-	-	-	-	-	-	-	-	-	-	19	-	SALEABLE		34950-2011	34950-2021	34951-1631	34951-1641		
MX150 ASSY BLD 2X10 LG B/18	334822371	B-LIGHT GRAY	GCP	PLR	M-B	-	-	-	-	-	6	-	-	-	-	-	-	-	-	-	-	-	-	19	-	SALEABLE		34950-2011	34950-2021	34951-1631	34951-1641		
MX150 ASSY BLD 2X10 BK A/10	334822372	A-BLACK	GCP	PLR	M-B	1	2	-	-	-	-	7	8	9	10	-	12	13	-	-	-	17	18	-	-	SALEABLE		34950-2011	34950-2021	34951-1631	34951-1641		
MX150 ASSY BLD 2X10 BK A/14	334822373	A-BLACK	GCP	PLR	M-B	-	-	3	-	5	6	-	-	-	-	11	12	13	-	-	-	-	-	-	-	SALEABLE		34950-2011	34950-2021	34951-1631	34951-1641		
MX150 ASSY BLD 2X10 BK A/16	334822374	A-BLACK	GCP	PLR	M-B	-	-	3	-	-	6	-	-	-	-	-	12	13	-	-	-	-	-	-	-	SALEABLE		34950-2011	34950-2021	34951-1631	34951-1641		
MX150 ASSY BLD 2X10 BK A/18	334822375	A-BLACK	GCP	PLR	M-B	-	-	-	-	-	-	-	8	-	-	-	-	-	-	-	-	17	-	-	-	SALEABLE		34950-2011	34950-2021	34951-1631	34951-1641		
MX150 ASSY BLD 2X10 BK A/15	334822376	A-BLACK	GCP	PLR	M-B	-	-	-	-	5	-	-	8	-	-	11	-	-	14	-	-	17	-	-	-	SALEABLE		34950-2011	34950-2021	34951-1631	34951-1641		
MX150 ASSY BLD 2X10 BK A/12	334822377	A-BLACK	GCP	PLR	M-B	1	-	3	-	5	6	7	-	-	-	11	12	13	-	-	-	-	-	-	-	SALEABLE		34950-2011	34950-2021	34951-1631	34951-1641		
MX150 ASSY BLD 2X10 BK A/12	334822378	A-BLACK	GCP	PLR	M-B	1	-	3	4	-	-	-	-	9	-	11	12	13	-	-	-	-	-	-	20	SALEABLE		34950-2011	34950-2021	34951-1631	34951-1641		
MX150 ASSY BLD 2X10 BK A/15	334822379	A-BLACK	GCP	PLR	M-B	-	-	-	-	-	-	-	-	9	-	11	12	13	-	-	-	-	-	-	20	SALEABLE		34950-2011	34950-2021	34951-1631	34951-1641		
MX150 ASSY BLD 2X10 BK A/12	334822380	A-BLACK	GCP	PLR	M-B	-	2	3	-	5	6	-	8	-	-	11	12	13	-	-	-	-	-	-	-	SALEABLE		34950-2011	34950-2021	34951-1631	34951-1641		
MX150 ASSY BLD 2X10 BK A/14	334822381	A-BLACK	GCP	PLR	M-B	-	2	3	-	-	6	-	8	-	-	-	12	13	-	-	-	-	-	-	-	SALEABLE		34950-2011	34950-2021	34951-1631	34951-1641		
MX150 ASSY BLD 2X10 BK A/10	334822382	A-BLACK	GCP	PLR	M-B	1	2	3	-	5	6	7	8	-	-	11	12	13	-	-	-	-	-	-	-	SALEABLE		34950-2011	34950-2021	34951-1631	34951-1641		



**MX150 2X10 BLADE SEALED ASSEMBLY MAT SEAL
BOM AND PIN OUT SHEET**

ASSEMBLY DESCRIPTION	ASSEMBLY PART NUMBER	COMPONENT				BLOCKED TERMINALS										STATUS	COMMENT	OPTIONAL ATTACHMENTS SOLD SEPARATELY												
		THE PRESENCE OF AN ABBREVIATION INDICATES THE PRESENCE OF THAT COMPONENT				CAVITY WITH A NUMBER INDICATES BLOCKED TERMINAL POSITION CAVITY WITHOUT A NUMBER INDICATES OPEN TERMINAL POSITION												BACKSHELL WITH RIBS	BACKSHELL WITHOUT RIBS	90° ADAPTOR WITH RIBS	90° ADAPTOR WITHOUT RIBS									
		HOUSING KEY/COLOR	GROMMET CAP	PLR	MAT SEAL	1	2	3	4	5	6	7	8	9	10							11	12	13	14	15	16	17	18	19
MX150 ASSY BLD 2X10 BK A/15	334822383	A-BLACK	GCP	PLR	M-B	-	-	-	-	-	-	-	-	9	10	11	12	-	-	-	-	-	-	-	-	34950-2011	34950-2021	34951-1631	34951-1641	
MX150 ASSY BLD 2X10 BK A/13	334822384	A-BLACK	GCP	PLR	M-B	1	-	3	4	-	-	-	-	9	10	-	12	-	-	-	-	-	-	-	-	34950-2011	34950-2021	34951-1631	34951-1641	
MX150 ASSY BLD 2X10 BK A/8	334822385	A-BLACK	GCP	PLR	M-B	1	2	3	4	5	6	-	8	-	-	-	-	13	-	-	-	17	18	19	20	34950-2011	34950-2021	34951-1631	34951-1641	
MX150 ASSY BLD 2X10 BK A/14	334822386	A-BLACK	GCP	PLR	M-B	-	-	-	-	-	-	7	-	9	-	-	-	-	-	14	15	-	-	-	19	20	34950-2011	34950-2021	34951-1631	34951-1641
MX150 ASSY BLD 2X10 BK A/10	334822387	A-BLACK	GCP	PLR	M-B	1	2	3	4	5	6	-	8	-	-	-	-	-	-	-	-	-	-	19	20	34950-2011	34950-2021	34951-1631	34951-1641	
MX150 ASSY BLD 2X10 BK A/12	334822388	A-BLACK	GCP	PLR	M-B	1	-	3	4	-	-	-	-	9	10	11	12	-	-	-	-	-	-	-	-	34950-2011	34950-2021	34951-1631	34951-1641	
MX150 ASSY BLD 2X10 BK A/15	334822389	A-BLACK	GCP	PLR	M-B	-	-	-	-	-	-	-	-	9	10	11	12	-	-	-	-	-	-	-	-	34950-2011	34950-2021	34951-1631	34951-1641	
MX150 ASSY BLD 2X10 BK A/20	334822390	A-BLACK	GCO	PLR	M-B	-	-	-	-	-	-	-	-	-	-	-	-	-	-	-	-	-	-	-	-	34950-2011	34950-2021	34951-1631	34951-1641	
MX150 ASSY BLD 2X10 BK A/13	334822391	A-BLACK	GCP	PLR	M-B	-	-	3	-	-	-	-	-	-	-	11	-	-	-	-	16	17	18	19	20	34950-2011	34950-2021	34951-1631	34951-1641	
MX150 ASSY BLD 2X10 BK A/11	334822392	A-BLACK	GCP	PLR	M-B	-	-	3	-	-	-	-	-	-	-	11	12	13	-	-	16	17	18	19	20	34950-2011	34950-2021	34951-1631	34951-1641	
MX150 ASSY BLD 2X10 BK A/8	334822393	A-BLACK	GCP	PLR	M-B	1	-	3	-	-	-	-	-	9	10	11	12	13	-	-	16	17	18	19	20	34950-2011	34950-2021	34951-1631	34951-1641	
MX150 ASSY BLD 2X10 BK A/10	334822394	A-BLACK	GCP	PLR	M-B	1	-	3	-	-	-	-	-	9	10	11	-	-	-	-	16	17	18	19	20	34950-2011	34950-2021	34951-1631	34951-1641	
MX150 ASSY BLD 2X10 BK A/19	334822395	A-BLACK	GCP	PLR	M-B	-	-	-	-	-	-	-	-	-	-	-	-	-	-	-	-	-	18	-	-	34950-2011	34950-2021	34951-1631	34951-1641	
MX150 ASSY BLD 2X10 SG D/19	334822396	D-STONE GRAY	GCP	PLR	M-B	1	-	-	-	-	-	-	-	-	-	-	-	-	-	-	-	-	-	-	-	34950-2011	34950-2021	34951-1631	34951-1641	
MX150 ASSY BLD 2X10 DG C/19	334822397	C-DARK GRAY	GCP	PLR	M-B	1	-	-	-	-	-	-	-	-	-	-	-	-	-	-	-	-	-	-	-	34950-2011	34950-2021	34951-1631	34951-1641	
MX150 ASSY BLD 2X10 BK A/18	334822398	A-BLACK	GCP	PLR	M-B	-	-	-	-	-	-	-	-	-	-	-	-	-	-	-	-	-	-	19	20	34950-2011	34950-2021	34951-1631	34951-1641	
MX150 ASSY BLD 2X10 BK A/9	334822399	A-BLACK	GCP	PLR	M-B	1	2	-	-	-	-	-	-	-	-	-	-	-	-	-	-	-	-	-	-	34950-2011	34950-2021	34951-1631	34951-1641	
MX150 ASSY BLD 2X10 BK A/16	334822400	A-BLACK	GCP	PLR	M-B	1	2	-	-	-	-	-	-	-	-	-	-	-	-	-	-	-	-	19	20	34950-2011	34950-2021	34951-1631	34951-1641	
MX150 ASSY BLD 2X10 BK A/18	334822401	A-BLACK	GCP	PLR	M-B	-	-	-	-	-	-	-	-	-	-	-	-	-	-	-	-	-	-	-	-	34950-2011	34950-2021	34951-1631	34951-1641	
MX150 ASSY BLD 2X10 BK A/13	334822402	A-BLACK	GCP	PLR	M-B	-	-	3	-	-	6	-	-	-	-	11	-	-	-	-	-	17	18	19	20	34950-2011	34950-2021	34951-1631	34951-1641	
MX150 ASSY BLD 2X10 BK A/16	334822403	A-BLACK	GCP	PLR	M-B	1	-	-	-	-	-	-	8	9	-	-	-	-	-	16	-	-	-	-	-	34950-2011	34950-2021	34951-1631	34951-1641	
MX150 ASSY BLD 2X10 BK A/6	334822404	A-BLACK	GCP	PLR	M-B	1	2	3	4	5	6	7	8	-	-	-	12	13	14	-	16	-	-	19	20	34950-2011	34950-2021	34951-1631	34951-1641	
MX150 ASSY BLD 2X10 BK A/17	334822405	A-BLACK	GCP	PLR	M-B	-	-	-	-	-	-	-	-	-	-	-	-	-	-	-	-	-	-	19	20	34950-2011	34950-2021	34951-1631	34951-1641	
MX150 ASSY BLD 2X10 BK A/14	334822406	A-BLACK	GCP	PLR	M-B	-	-	-	-	-	-	-	-	9	-	-	-	-	-	-	-	-	18	19	20	34950-2011	34950-2021	34951-1631	34951-1641	
MX150 ASSY BLD 2X10 BK A/8	334822407	A-BLACK	GCP	PLR	M-B	1	2	-	-	-	-	-	-	-	-	11	12	13	14	15	16	17	18	19	20	34950-2011	34950-2021	34951-1631	34951-1641	
MX150 ASSY BLD 2X10 BK A/10	334822408	A-BLACK	GCP	PLR	M-B	1	2	-	-	-	-	-	-	-	-	-	-	13	14	15	16	17	18	19	20	34950-2011	34950-2021	34951-1631	34951-1641	
MX150 ASSY BLD 2X10 BK A/15	334822409	A-BLACK	GCP	PLR	M-B	-	-	-	-	-	-	-	-	10	-	11	12	-	-	15	-	-	-	-	20	34950-2011	34950-2021	34951-1631	34951-1641	

ASSEMBLY DESCRIPTION	ASSEMBLY PART NUMBER	COMPONENT				BLOCKED TERMINALS										STATUS	COMMENT	OPTIONAL ATTACHMENTS SOLD SEPARATELY												
		THE PRESENCE OF AN ABBREVIATION INDICATES THE PRESENCE OF THAT COMPONENT				CAVITY WITH A NUMBER INDICATES BLOCKED TERMINAL POSITION CAVITY WITHOUT A NUMBER INDICATES OPEN TERMINAL POSITION												BACKSHELL WITH RIBS	BACKSHELL WITHOUT RIBS	90° ADAPTOR WITH RIBS	90° ADAPTOR WITHOUT RIBS									
		HOUSING KEY/COLOR	GROMMET CAP	PLR	MAT SEAL	1	2	3	4	5	6	7	8	9	10							11	12	13	14	15	16	17	18	19
MX150 ASSY BLD 2X10 BK A/17	334822410	A-BLACK	GCP	PLR	M-B	1	-	-	-	-	-	-	-	-	-	-	-	-	-	-	-	-	-	10	SALEABLE		34950-2011	34950-2021	34951-1631	34951-1641
MX150 ASSY BLD 2X10 BK A/17	334822411	A-BLACK	GCP	PLR	M-B	-	2	-	-	5	6	-	-	-	-	-	-	-	-	-	-	-	-	20	SALEABLE		34950-2011	34950-2021	34951-1631	34951-1641
MX150 ASSY BLD 2X10 BK A/15	334822412	A-BLACK	GCP	PLR	M-B	-	2	-	-	5	6	7	-	-	-	-	-	-	-	-	-	-	-	-	SALEABLE		34950-2011	34950-2021	34951-1631	34951-1641
MX150 ASSY BLD 2X10 BK A/15	334822413	A-BLACK	GCP	PLR	M-B	-	2	-	-	5	6	-	-	-	-	-	-	-	-	-	-	-	-	20	SALEABLE		34950-2011	34950-2021	34951-1631	34951-1641
MX150 ASSY BLD 2X10 BK A/14	334822414	A-BLACK	GCP	PLR	M-B	-	2	3	-	5	6	-	-	-	-	-	-	-	-	-	-	-	-	-	SALEABLE		34950-2011	34950-2021	34951-1631	34951-1641
MX150 ASSY BLD 2X10 BK A/13	334822415	A-BLACK	GCP	PLR	M-B	-	2	-	-	5	6	7	-	-	-	-	-	-	-	-	-	-	-	-	SALEABLE		34950-2011	34950-2021	34951-1631	34951-1641
MX150 ASSY BLD 2X10 BK A/12	334822416	A-BLACK	GCP	PLR	M-B	-	2	3	-	5	6	-	-	-	-	-	-	-	-	-	-	-	-	-	SALEABLE		34950-2011	34950-2021	34951-1631	34951-1641
MX150 ASSY BLD 2X10 BK A/12	334822417	A-BLACK	GCP	PLR	M-B	-	2	3	-	5	6	7	-	-	-	-	-	-	-	-	-	-	-	-	SALEABLE		34950-2011	34950-2021	34951-1631	34951-1641
MX150 ASSY BLD 2X10 BK A/10	334822418	A-BLACK	GCP	PLR	M-B	-	2	3	-	5	6	7	-	-	-	-	-	-	-	-	-	-	-	-	SALEABLE		34950-2011	34950-2021	34951-1631	34951-1641
MX150 ASSY BLD 2X10 BK A/9	334822419	A-BLACK	GCP	PLR	M-B	-	2	-	4	5	6	7	8	9	10	-	-	-	-	-	-	-	-	-	SALEABLE		34950-2011	34950-2021	34951-1631	34951-1641
MX150 ASSY BLD 2X10 BK A/7	334822420	A-BLACK	GCP	PLR	M-B	-	2	-	4	5	6	7	8	9	10	-	-	-	-	-	-	-	-	-	SALEABLE		34950-2011	34950-2021	34951-1631	34951-1641
MX150 ASSY BLD 2X10 BK A/6	334822421	A-BLACK	GCP	PLR	M-B	-	2	3	4	5	6	7	8	9	10	-	-	-	-	-	-	-	-	-	SALEABLE		34950-2011	34950-2021	34951-1631	34951-1641
MX150 ASSY BLD 2X10 BK A/4	334822422	A-BLACK	GCP	PLR	M-B	-	2	3	4	5	6	7	8	9	10	-	-	-	-	-	-	-	-	-	SALEABLE		34950-2011	34950-2021	34951-1631	34951-1641
MX150 ASSY BLD 2X10 LTB A/20	334822423	A-LIGHT BLUE	GCO	PLR	M-B	-	-	-	-	-	-	-	-	-	-	-	-	-	-	-	-	-	-	-	SALEABLE		34950-2011	34950-2021	34951-1631	34951-1641

TABLE OF CONTENTS	
SHEET NO.	SHEET DESCRIPTION
1	NOTES AND BOM
2	CONFIGURATIONS
3-4	KEY CONFIGURATIONS
5	BLADE SEALED ASSEMBLY
6	SYSTEM PACKAGING
7	BACKSHELL NOTES
8	BACKSHELL
9	BACKSHELL CONFIGURATIONS

NOTES: VALID UNLESS OTHERWISE SPECIFIED

1. GENERAL:
a. APPLICATION SPECIFICATION SEE: AS-33472-100
-CONTAINS: PRODUCT INTRODUCTION, PRODUCT SUMMARY, CONNECTOR ASSEMBLY, PACKAGING INFORMATION, CONNECTOR MATING, SERVICE INSTRUCTIONS, ELECTRICAL CONTINUITY CHECKING, CRIMPING, AND TROUBLESHOOTING.
-DESIGNED TO MATE WITH RECEPTACLE SEALED ASSEMBLY AS SPECIFIED IN THE MATING CONNECTOR DRAWINGS CHART.
*DENOTES DRAWINGS THAT CAN BE ACCESSED AT <http://ewcap.uscarteams.org/>.
-ASSEMBLY SHIPPED WITH PLR IN PRE-LOCK POSITION (SEE PLR PRE-LOCK VIEW SHEET 5).

b. PRODUCT SPECIFICATION SEE:
-STANDARD CONFIGURATION: PS-33472-000
-UL V0 CONFIGURATION: TBD
CONTAINS: PRODUCT INTRODUCTION, PRODUCT SUMMARY, RATINGS (CURRENT, TEMPERATURE, SEALING, AND FLAMMABILITY), TERMINALS, WIRE DIAMETER RANGE, PRODUCT VALIDATION, AND PRODUCT DEVIATIONS.

c. PACKAGING SPECIFICATION PER MOLEX DRAWING: PK-31300-635

d. PARTS MUST BE IN COMPLIANCE TO MOLEX CHEMICAL SUBSTANCES FOR PRODUCTS AND PACKAGING SPECIFICATION: QEHS-699000-300

e. DATA MUST BE SUBMITTED UNDER THE MOLEX PART NUMBER TO IMDS (COMPANY ID#13255)

2. DESIGN - MATERIALS:
a. FOR BILL OF MATERIALS SEE:
-STANDARD CONFIGURATION: SD-33482-0002
-UL V0 CONFIGURATION: SD-160084-0002

3. DESIGN - GEOMETRY:
a. THE 3-D CAD DATA IS BASIC (WITHOUT TOLERANCE) AND MASTER FOR THIS PART WITH THE EXCEPTION OF UNDERLINED DIMENSIONS. DIMENSIONAL INFORMATION NOT SHOWN ON THIS DRAWING IS DEFINED BY THE DATA FILE AT ITS LATEST REVISION.
b. GEOMETRIC DIMENSIONS AND TOLERANCES PER ASME Y14.5M-2009
c. EDGES AND UNDIMENSIONED DETAILS PER ISO13715
d. CORNERS SHOWN AS SHARP TO BE R 0.2 MAX.
e. LETTERING SHALL BE 0.15 MAX RAISED IN 0.25 MAX RECESS PAD. THIS INCLUDES RECYCLING CODE, CAVITY ID, VENDOR IDENTIFICATION, AND CUSTOMER MATERIAL NUMBER.
f. VISUAL DEFECTS SHALL MEET COSMETIC STANDARD PS-45499-002 (Class B).
g. LASER MARKING:
1. PART NUMBER
2. DAY OF THE YEAR
3. SHIFT
4. YEAR
FOR ADDITIONAL INFORMATION SEE SECTION 5 UNDER PROCEDURES IN ES-34735-008.

MATING CONNECTOR DRAWINGS	
DESCRIPTION	MOLEX INLINE
2X2	SD-33472-0001
2X3	SD-33472-0001
2X4	SD-33472-0001
2X6	SD-33472-0001
2X8	SD-33472-0001
2X10	SD-33472-0001



2X2



2X3



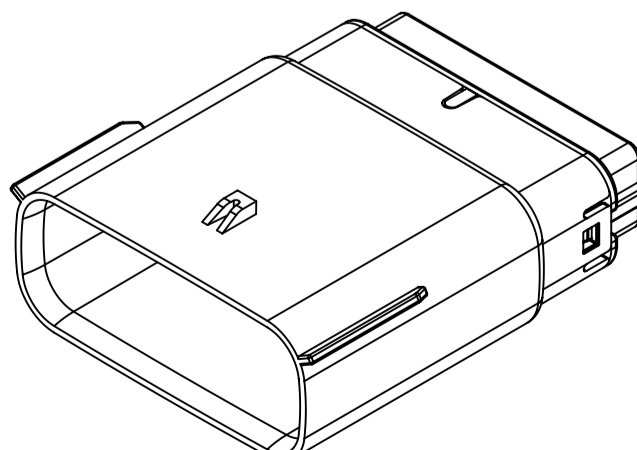
2X4



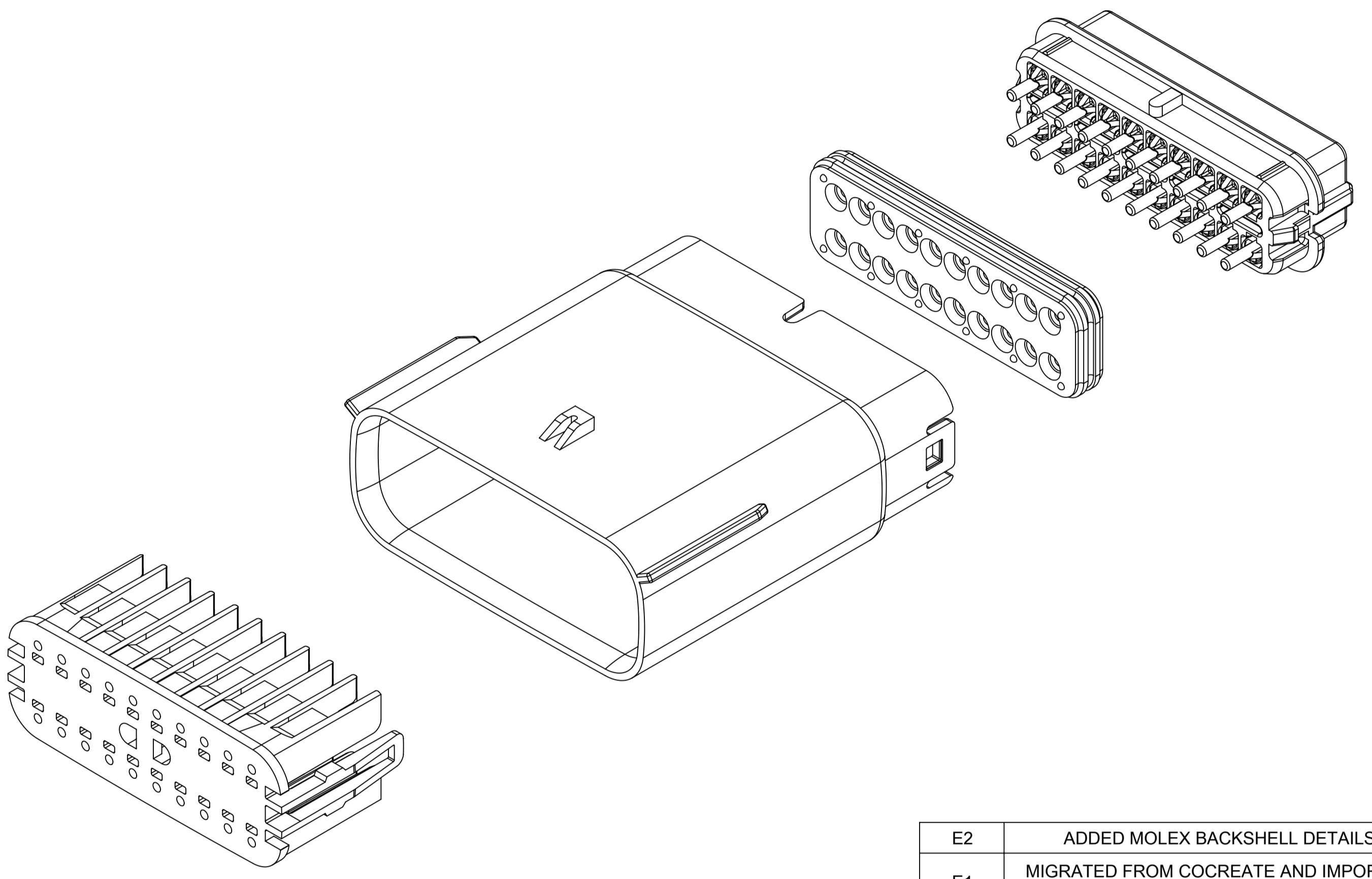
2X6



2X8



2X10



REV	DESCRIPTION
E2	ADDED MOLEX BACKSHELL DETAILS
E1	MIGRATED FROM COCREATE AND IMPORTED DXF FILES
E	ADDED CHARTED DIMENSIONS FOR 2X2, 2X4, 2X6 AND 2X8 WITH CLIPSLLOT
D	MINOR GEOMETRY CHANGE FOR UL V0
C3	ADD 2X4
C2	ADD 2X3
C1	ADD UL V0 CONFIGURATIONS
C	ADD 2X8
B1	ADD 2X6 BACKSHELL INFO
B	ADD 2X6
A	INITIAL RELEASE
REV	REV DESCRIPTION

INSPECTION NUMBER LOG	
LAST NUMBER:	9
ADDED:	
REMOVED:	

SYMBOLS = 0 = 0 = 0 = 0 = 0 = 0 = 0 = 0 = 0	THIS DRAWING CONTAINS INFORMATION THAT IS PROPRIETARY TO MOLEX ELECTRONIC TECHNOLOGIES, LLC AND SHOULD NOT BE USED WITHOUT WRITTEN PERMISSION DIMENSION UNITS: mm SCALE: 1.5:1 GENERAL TOLERANCES (UNLESS SPECIFIED) ANGULAR TOL ± 1.0° 4 PLACES ± 3 PLACES ± 2 PLACES ± 0.1 1 PLACE ± 0.2 0 PLACES ± DRAFT WHERE APPLICABLE MUST REMAIN WITHIN DIMENSIONS	CURRENT REV DESC: EC NO: 171650 DRWN: PMANJUNATHAC 2018/01/03 CHK'D: MVANSLAMBROU 2018/02/16 APPR: MVANSLAMBROU 2018/02/16 INITIAL REVISION: DRWN: APROFFITT 2014/04/28 APPR: VKOSHY 2014/05/14	 MX150 BLADE DUAL ROW SEALED ASSEMBLY MAT SEAL PRODUCT CUSTOMER DRAWING
	DOCUMENT NUMBER: SD-33482-0001 DOC TYPE: PSD DOC PART: 001 REVISION: E2		MATERIAL NUMBER: 33482 CUSTOMER: GENERAL MARKET SHEET NUMBER: 1 OF 11
	THIRD ANGLE PROJECTION 		DRAWING: A1-SIZE SERIES: 33482
	DOCUMENT STATUS: P1 RELEASE DATE: 2018/02/16 22:02:26		

SHEET DESCRIPTION
CONFIGURATIONS



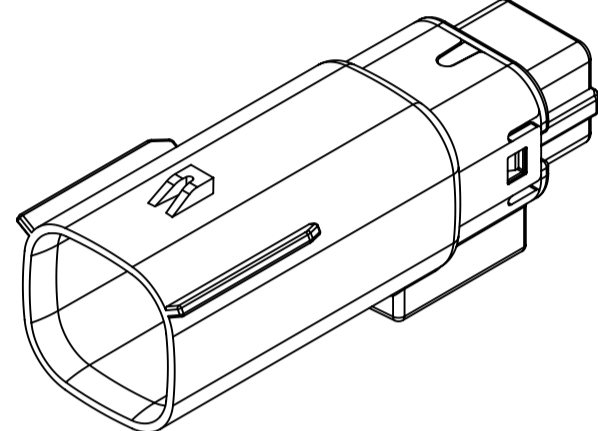
2X2 - STANDARD (STD)



2X2 - UL V0*



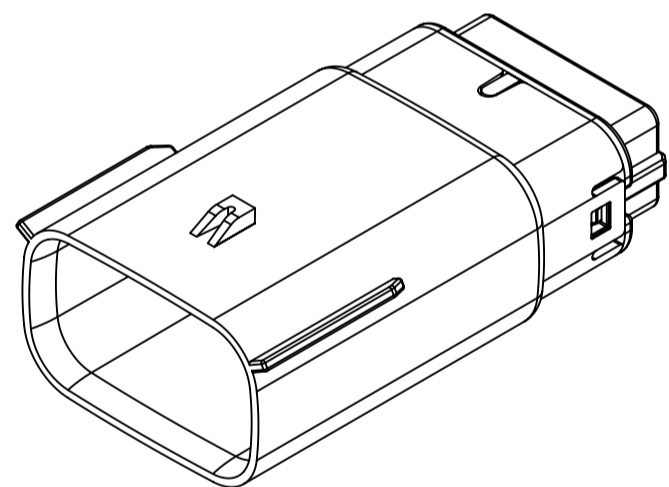
2X3 - STANDARD (STD)



2X3 - LENGTHENED



2X4 - STANDARD (STD)



2X6 - STANDARD (STD)



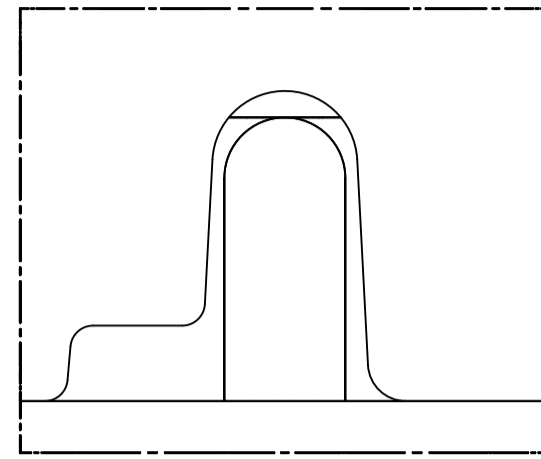
2X8 - STANDARD (STD)



2X10 - STANDARD (STD)



2X10 - UL V0*



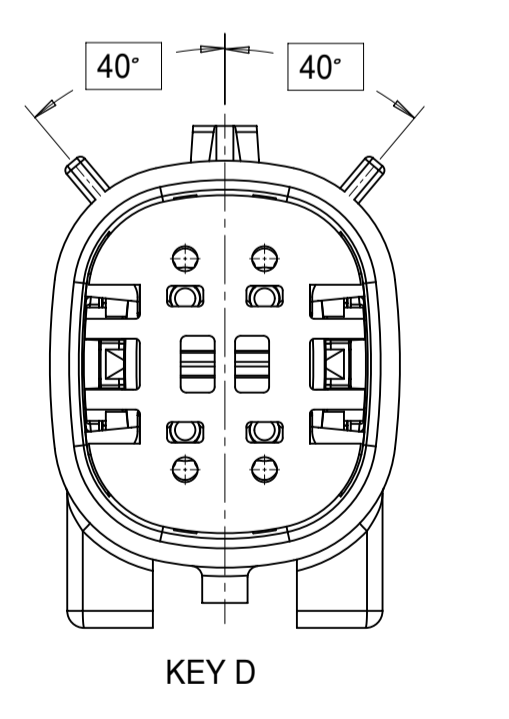
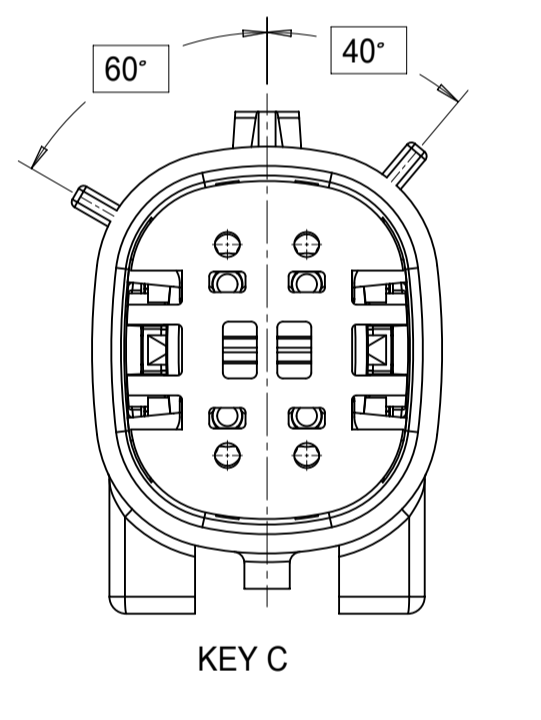
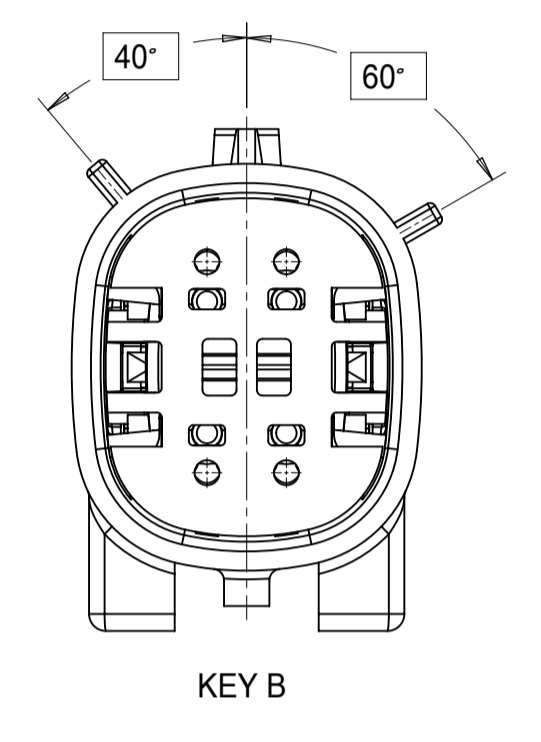
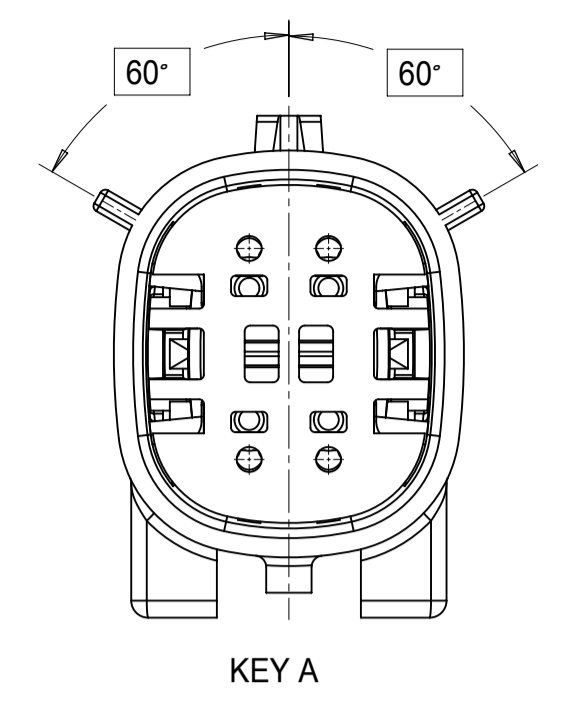
UL V0 UNIQUE FEATURE
Partial1
SCALE 10:1

* MINOR GEOMETRY CHANGE THAN STANDARD CONFIGURATION.
SEE NOTE 2a FOR MORE INFORMATION

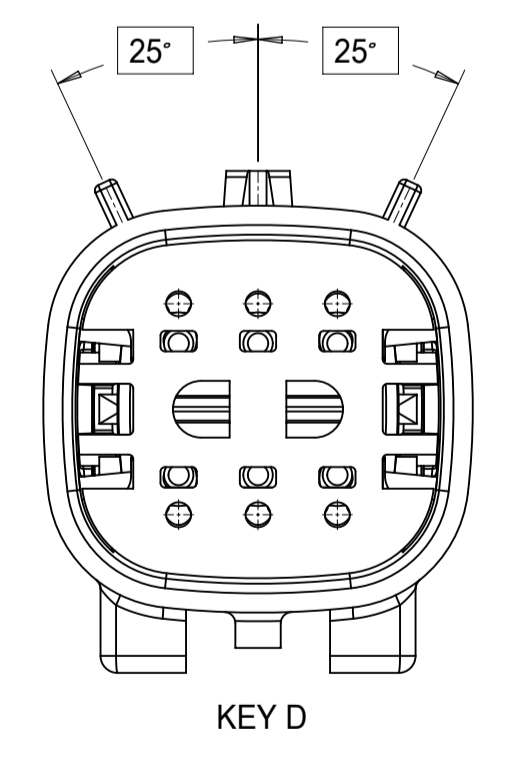
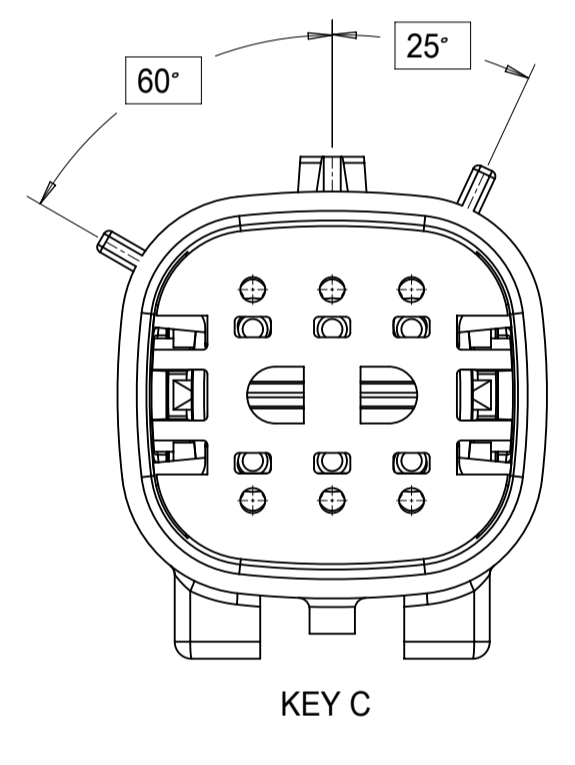
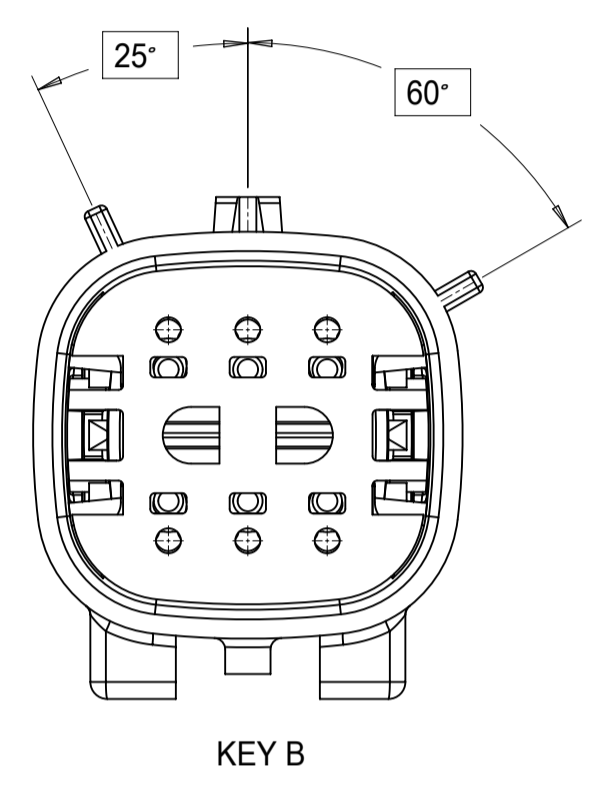
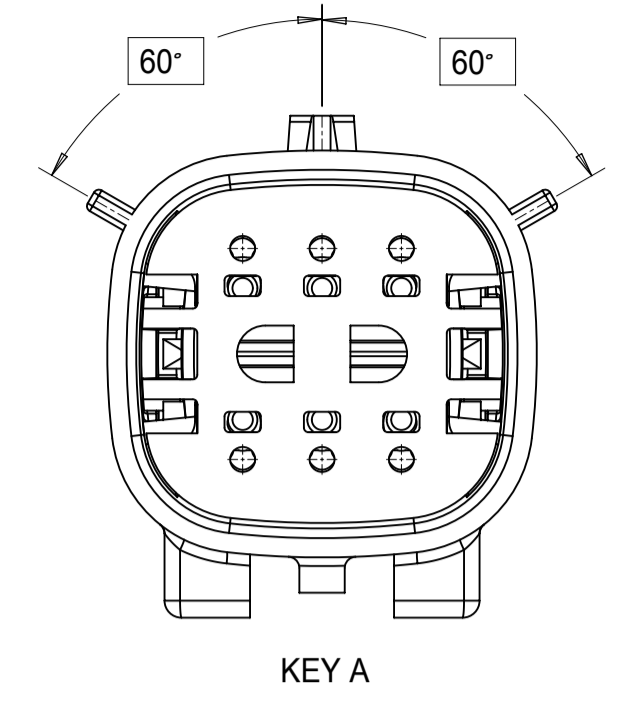
SYMBOLS	THIS DRAWING CONTAINS INFORMATION THAT IS PROPRIETARY TO MOLEX ELECTRONIC TECHNOLOGIES, LLC AND SHOULD NOT BE USED WITHOUT WRITTEN PERMISSION		CURRENT REV DESC:		molex
	DIMENSION UNITS	SCALE			
▽ = 0	mm	1.5:1	EC NO: 171650		MX150 BLADE DUAL ROW SEALED ASSEMBLY MAT SEAL
▽ = 0	GENERAL TOLERANCES (UNLESS SPECIFIED)		DRWN: PMANJUNATHAC 2018/01/03		
▽ = 0	ANGULAR TOL ± 1.0°		CHK'D: MVANSLAMBROU 2018/02/16		
▽ = 0	4 PLACES ±		APPR: MVANSLAMBROU 2018/02/16		
▽ = 0	3 PLACES ±		INITIAL REVISION:		
▽ = 0	2 PLACES ± 0.1		DRWN: APROFFITT 2014/04/28		
▽ = 0	1 PLACE ± 0.2		APPR: VKOSHY 2014/05/14		
▽ = 0	0 PLACES ±		THIRD ANGLE PROJECTION		
▽ = 0	DRAFT WHERE APPLICABLE MUST REMAIN WITHIN DIMENSIONS		DRAWING	SERIES	DOCUMENT NUMBER
			A1-SIZE	33482	SD-33482-0001
					DOC TYPE DOC PART REVISION
					PSD 001 E2
					PRODUCT CUSTOMER DRAWING
					CUSTOMER
					GENERAL MARKET
					SHEET NUMBER
					2 OF 11

SHEET DESCRIPTION
KEY CONFIGURATIONS

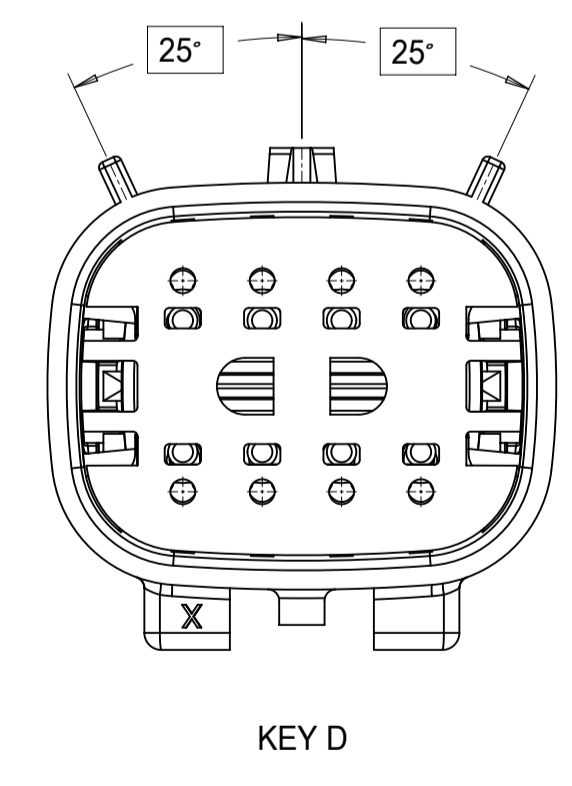
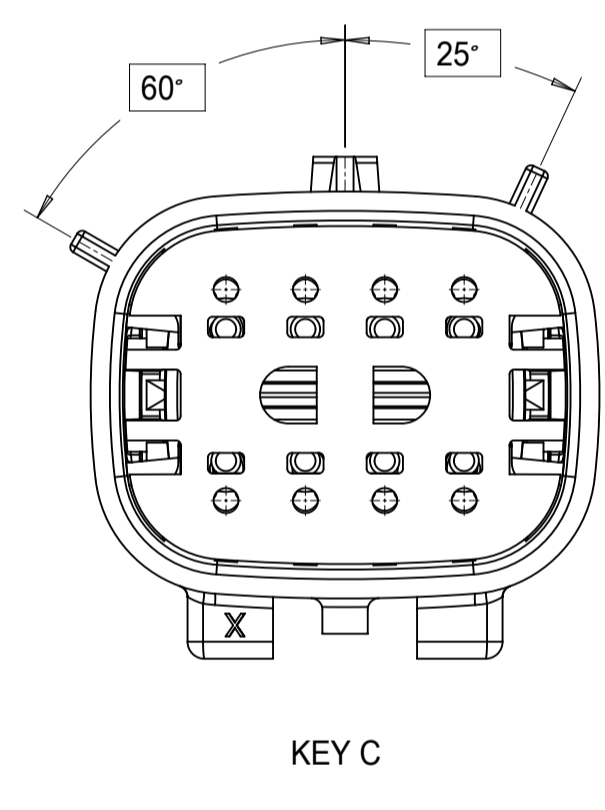
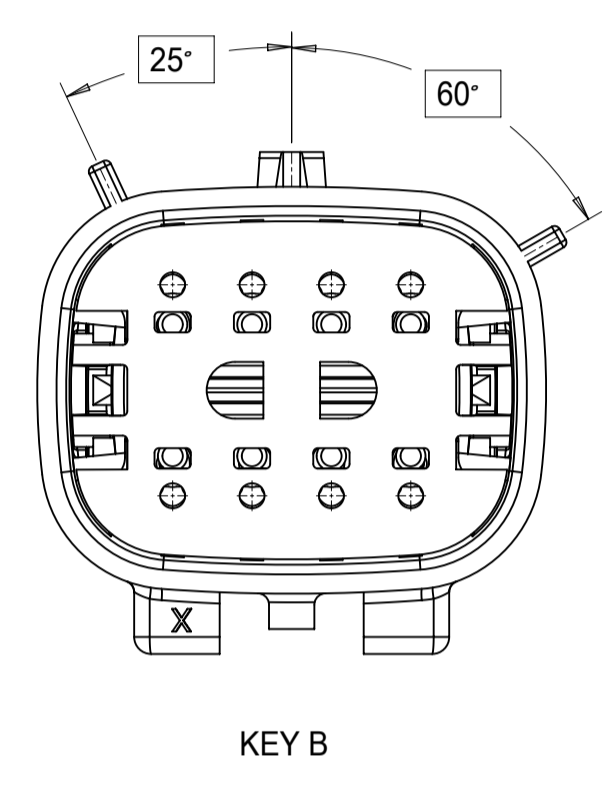
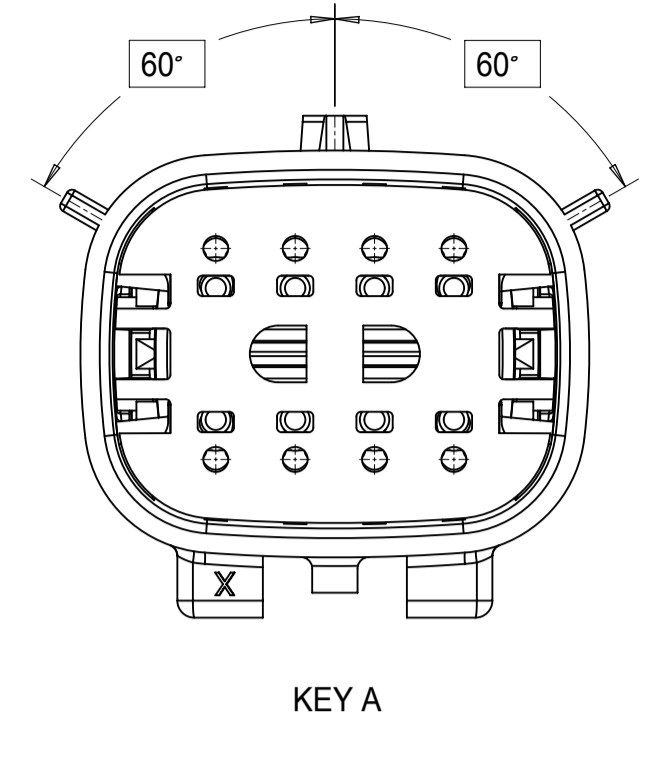
2X2



2X3



2X4



THIS DRAWING CONTAINS INFORMATION THAT IS PROPRIETARY TO MOLEX ELECTRONIC TECHNOLOGIES, LLC AND SHOULD NOT BE USED WITHOUT WRITTEN PERMISSION

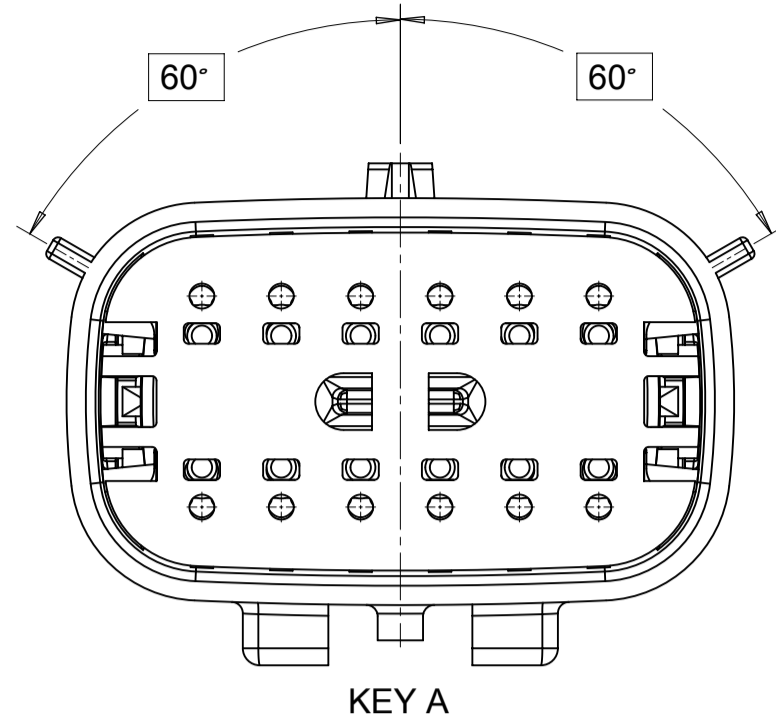
SYMBOLS	DIMENSION UNITS	SCALE
	mm	3:1
	GENERAL TOLERANCES (UNLESS SPECIFIED)	
	ANGULAR TOL ± 1.0°	
	4 PLACES	±
	3 PLACES	±
	2 PLACES	± 0.1
	1 PLACE	± 0.2
	0 PLACES	±
	DRAFT WHERE APPLICABLE MUST REMAIN WITHIN DIMENSIONS	

CURRENT REV DESC:		
EC NO:	171650	
DRWN:	PMANJUNATHAC	2018/01/03
CHK'D:	MVANSLAMBROU	2018/02/16
APPR:	MVANSLAMBROU	2018/02/16
INITIAL REVISION:		
DRWN:	APROFFITT	2014/04/28
APPR:	VKOSHY	2014/05/14
THIRD ANGLE PROJECTION	DRAWING	SERIES
	A1-SIZE	33482

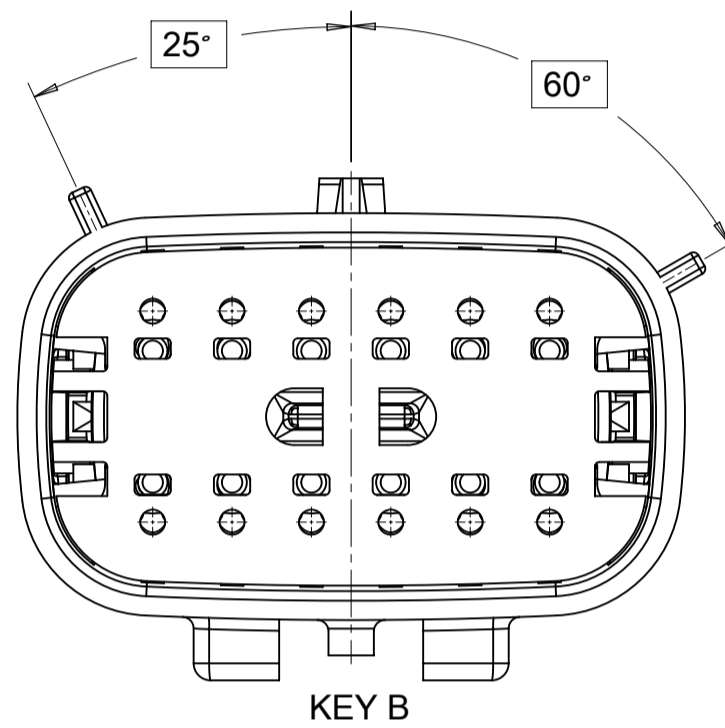
molex		
MX150 BLADE DUAL ROW SEALED ASSEMBLY MAT SEAL		
PRODUCT CUSTOMER DRAWING		
DOCUMENT NUMBER	DOC TYPE	DOC PART
SD-33482-0001	PSD	001
MATERIAL NUMBER	CUSTOMER	SHEET NUMBER
	GENERAL MARKET	3 OF 11

SHEET DESCRIPTION
KEY CONFIGURATIONS CONT.

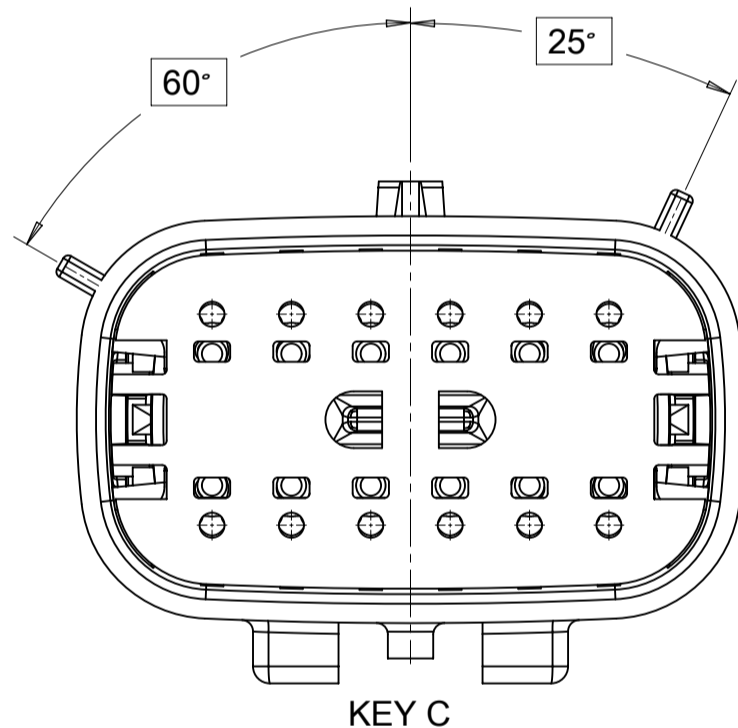
2X6



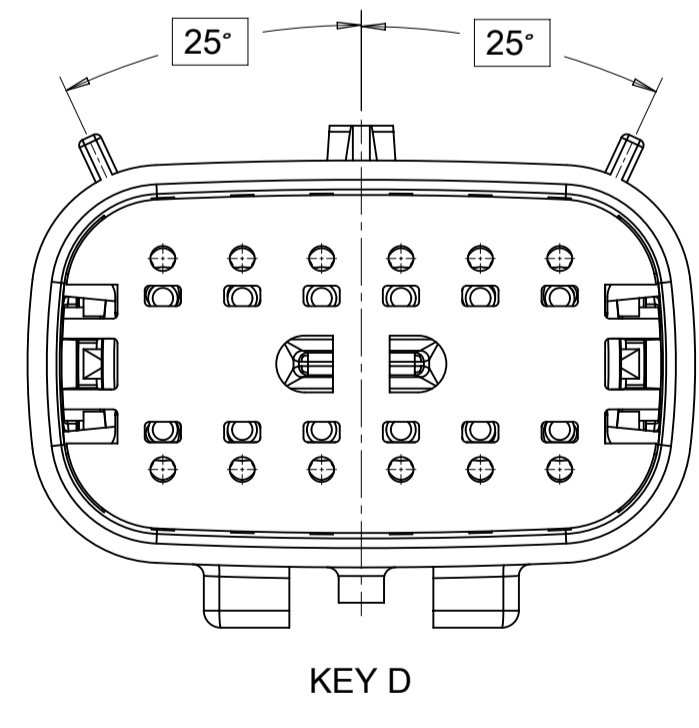
KEY A



KEY B

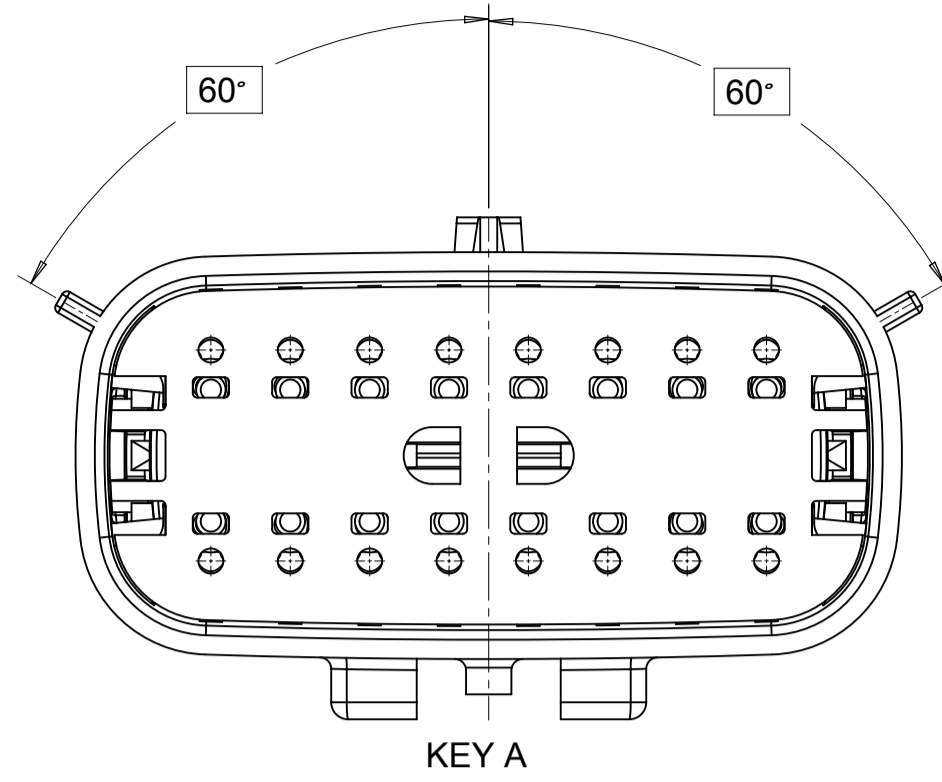


KEY C

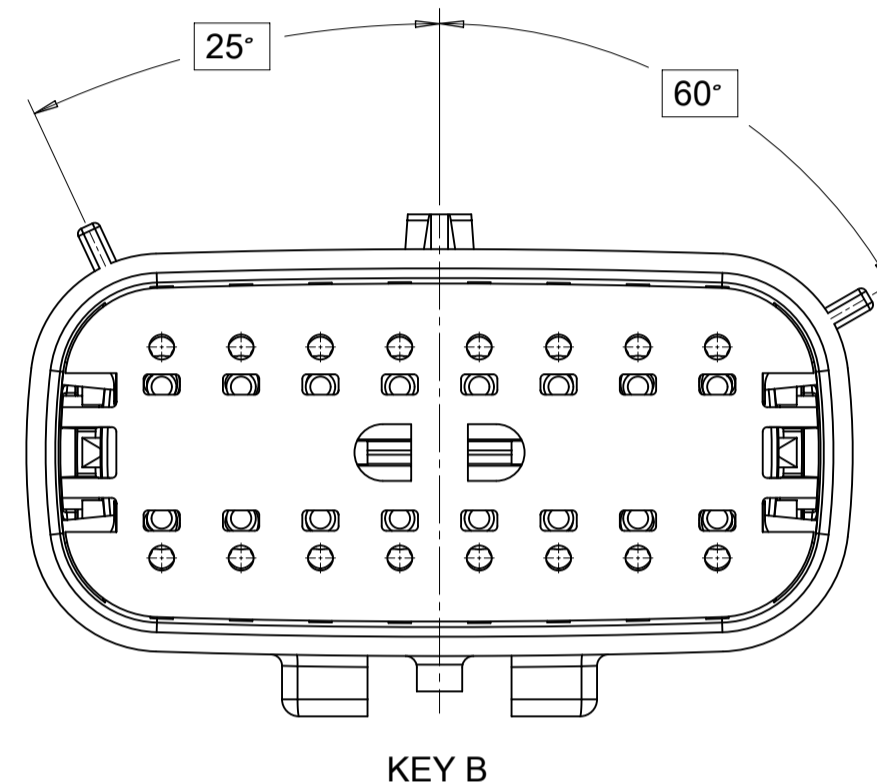


KEY D

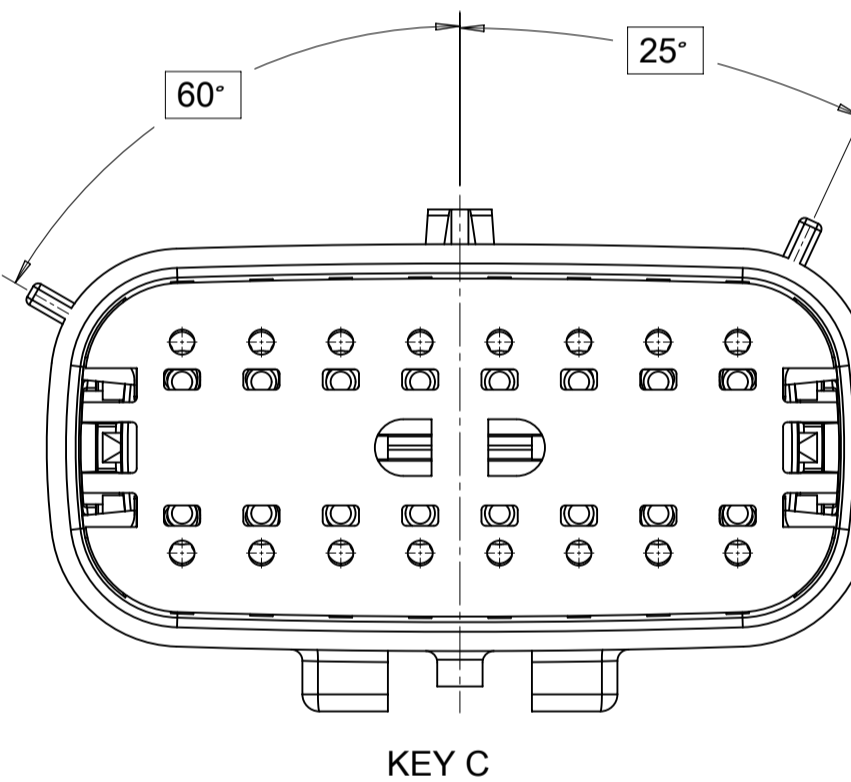
2X8



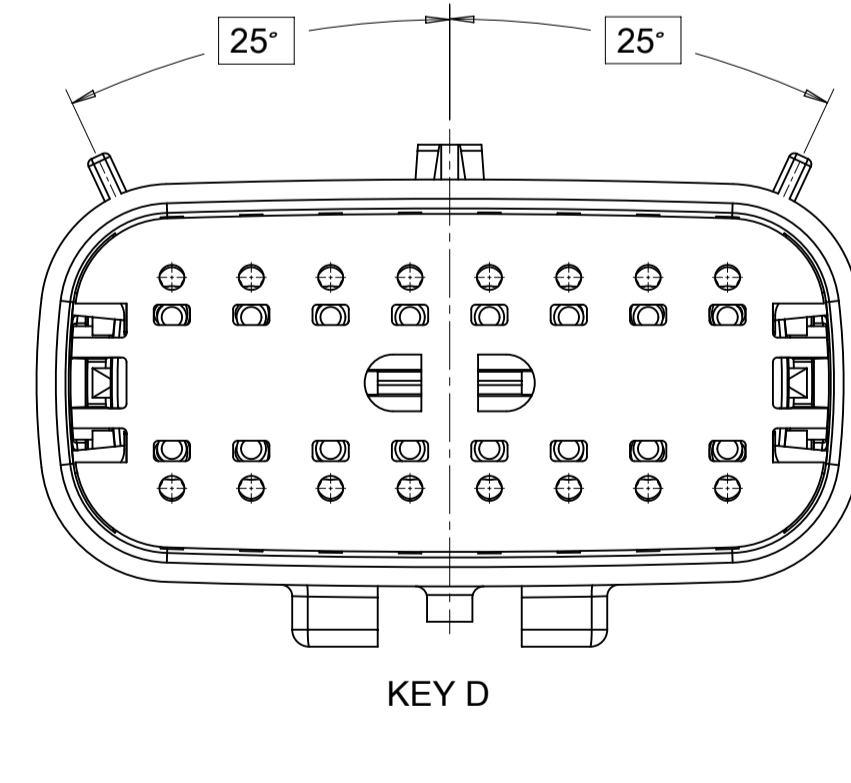
KEY A



KEY B

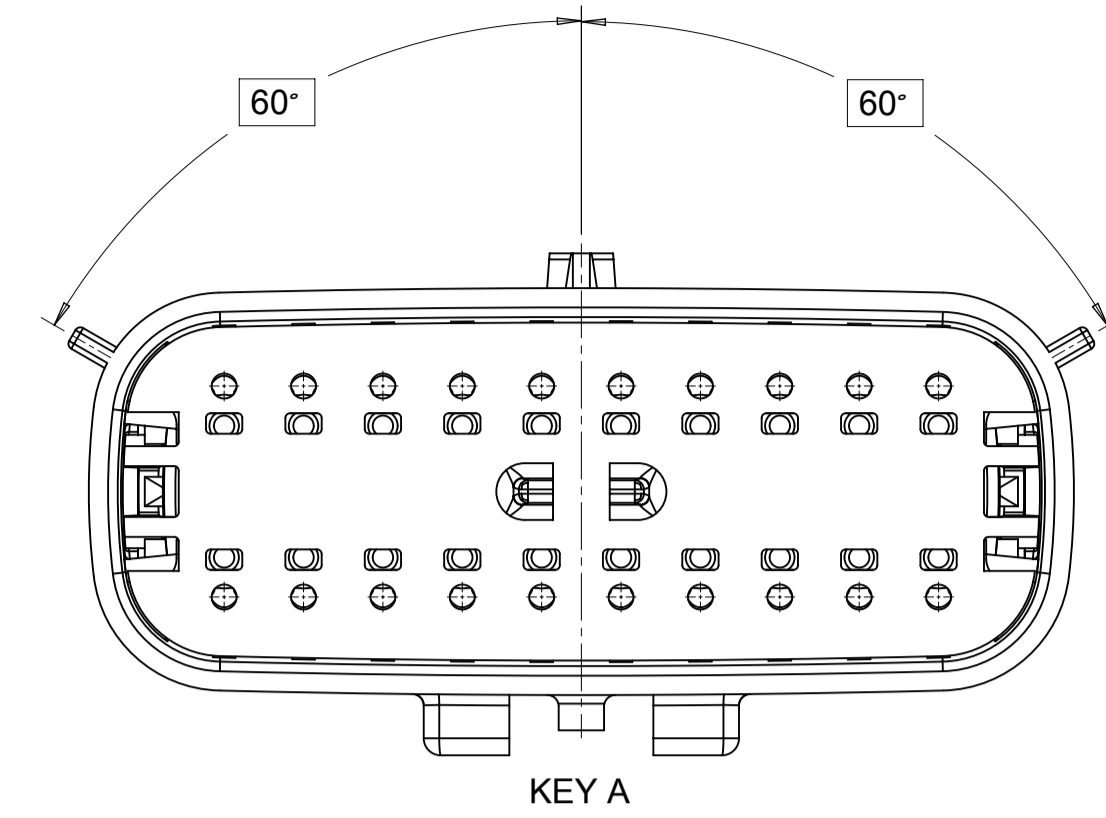


KEY C

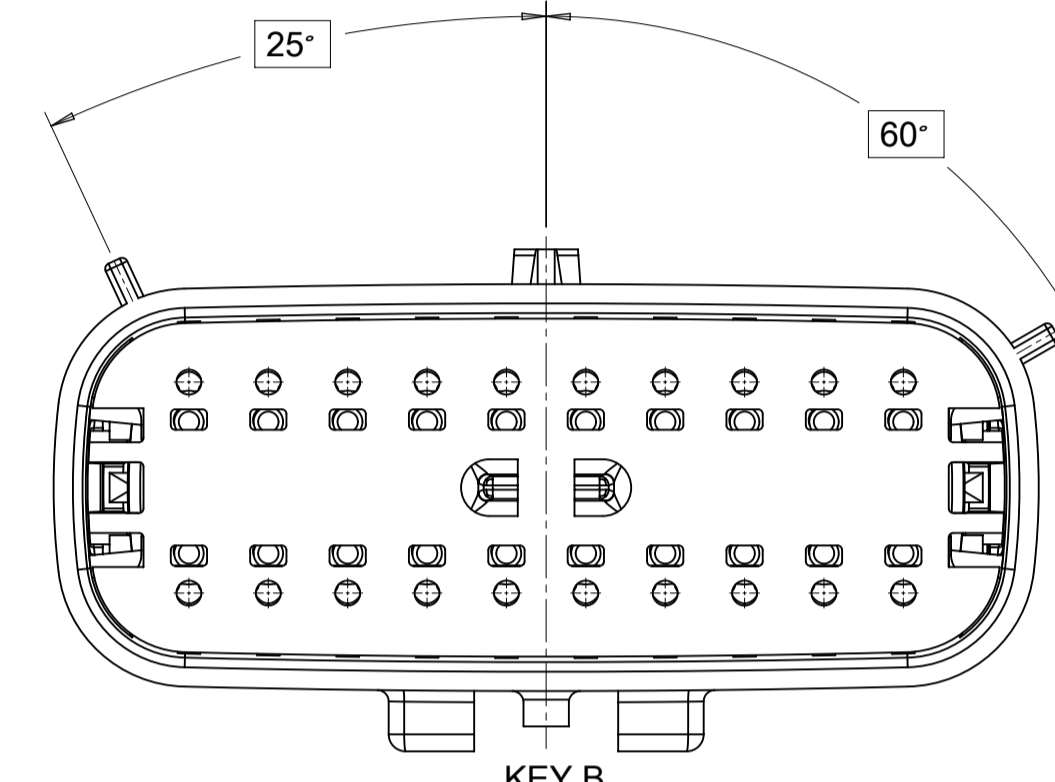


KEY D

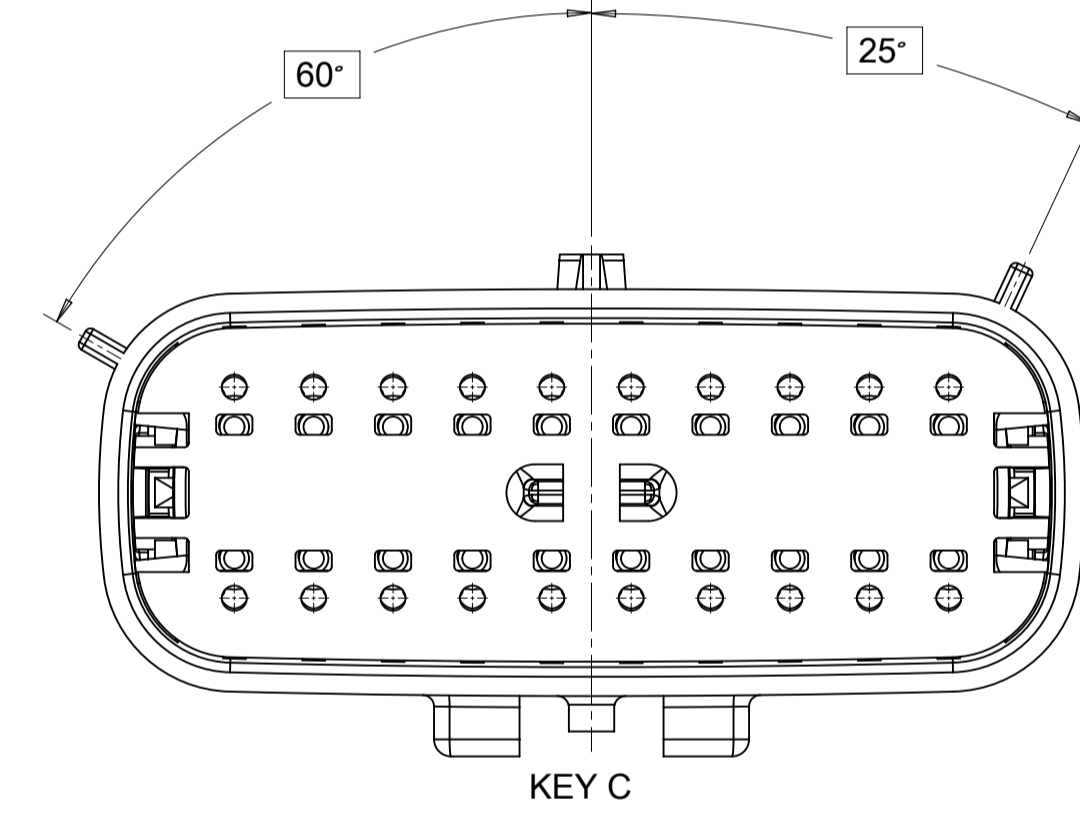
2X10



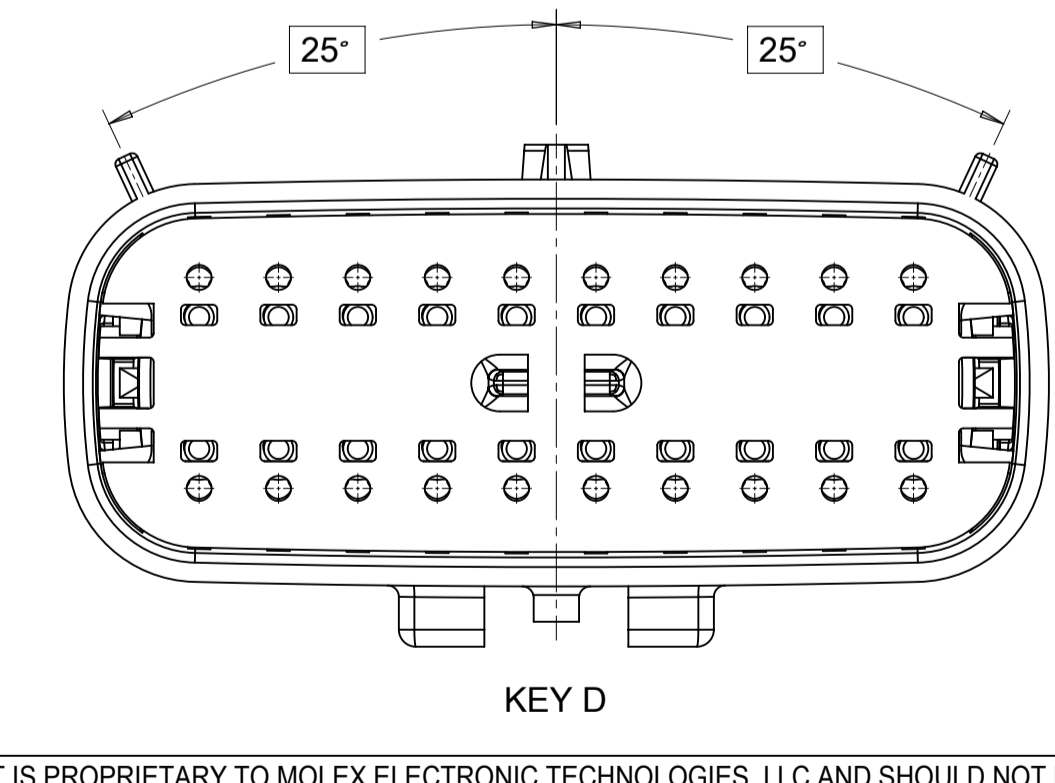
KEY A



KEY B



KEY C

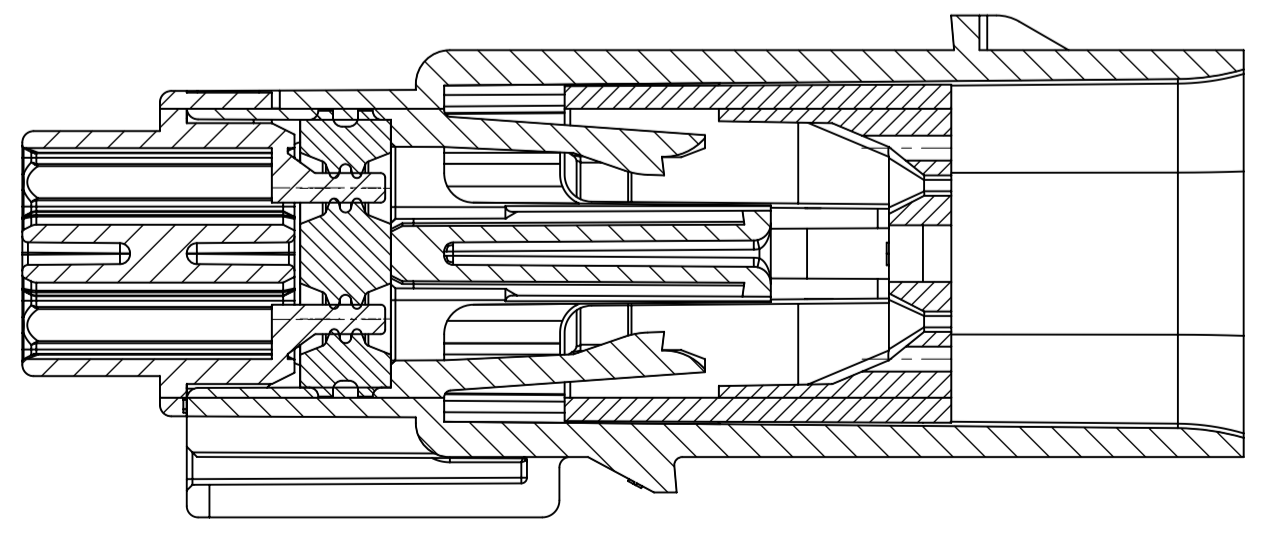
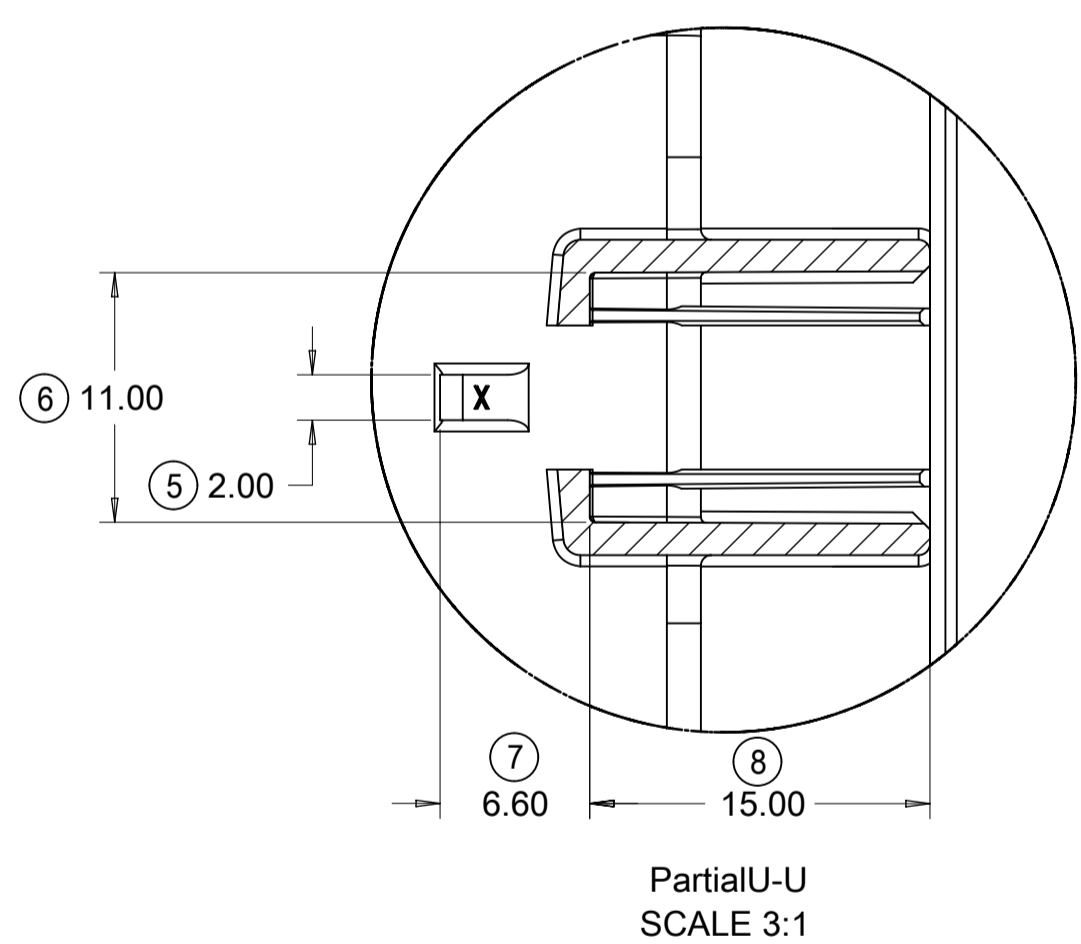
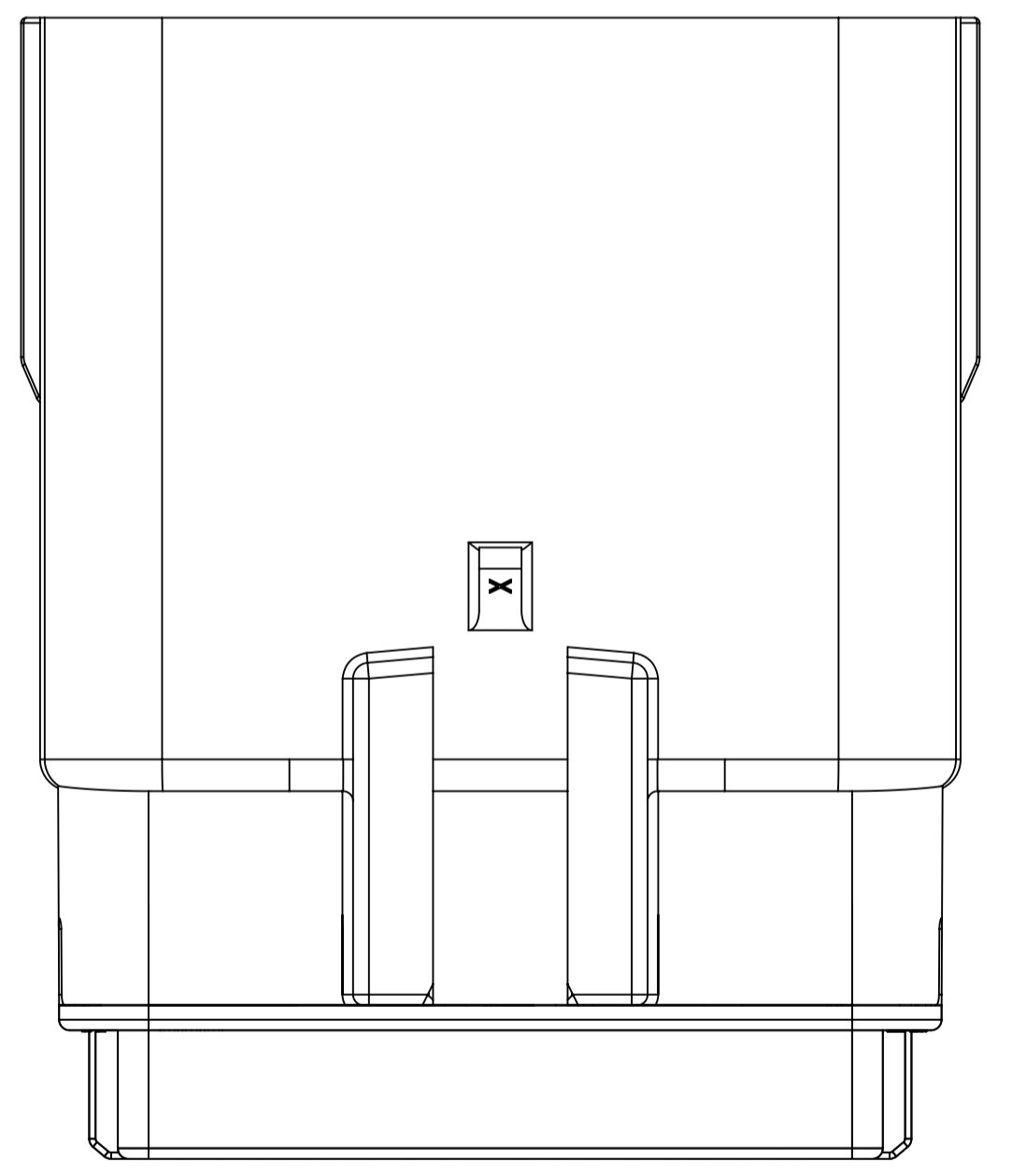
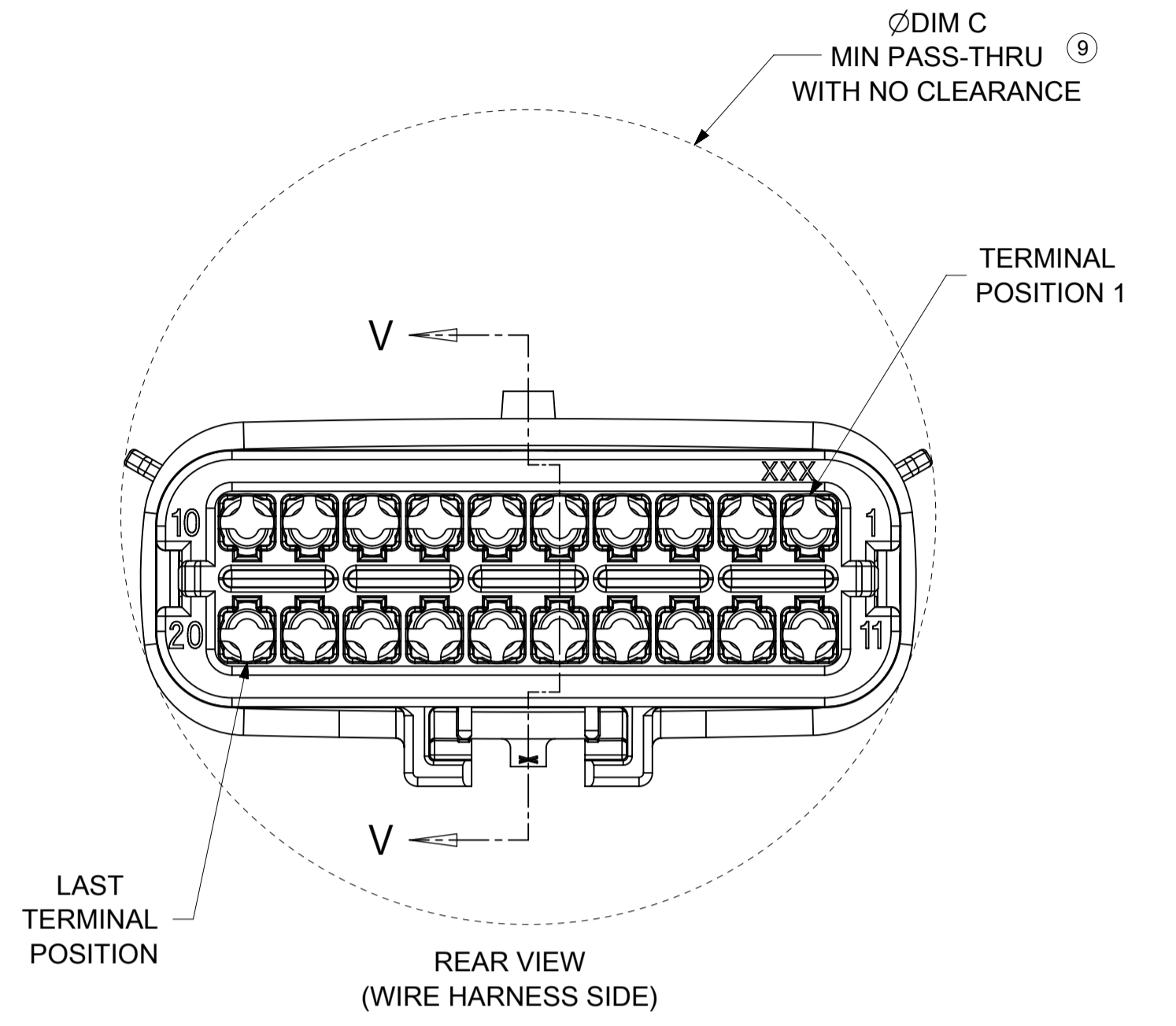
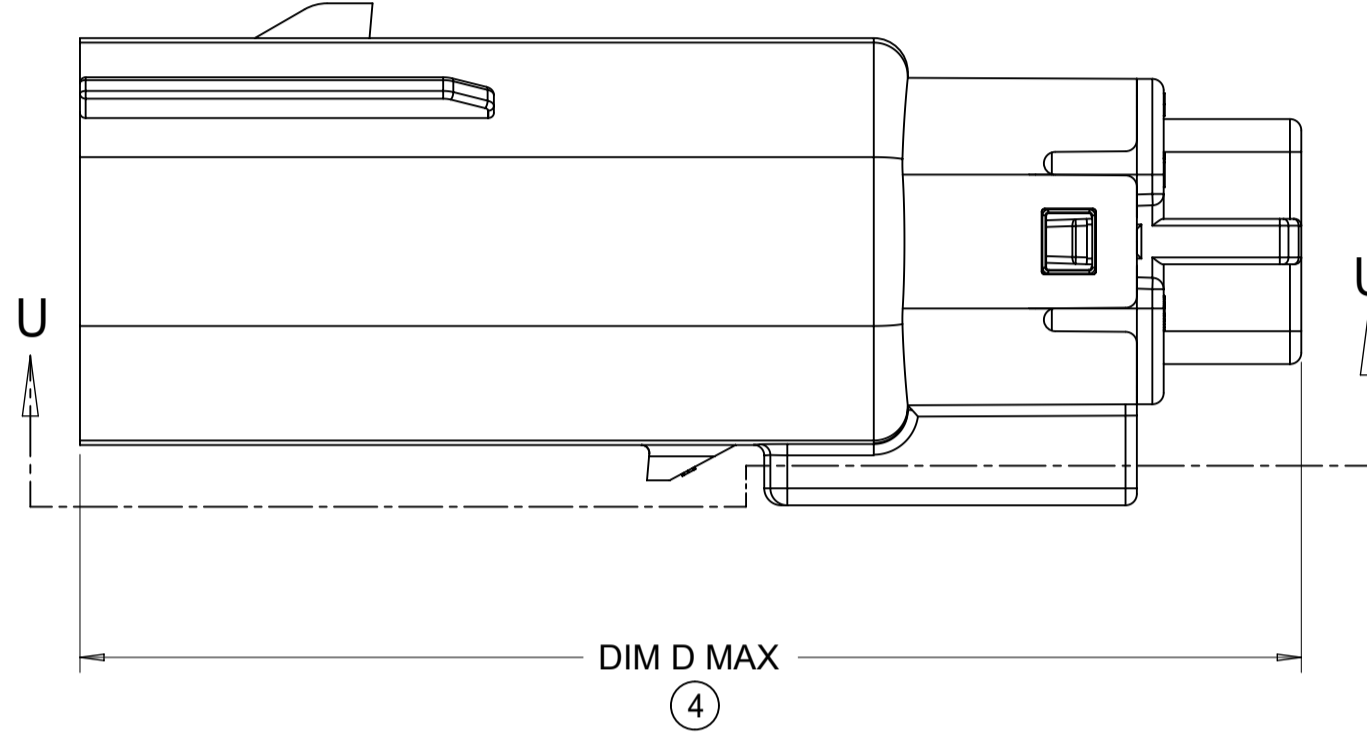
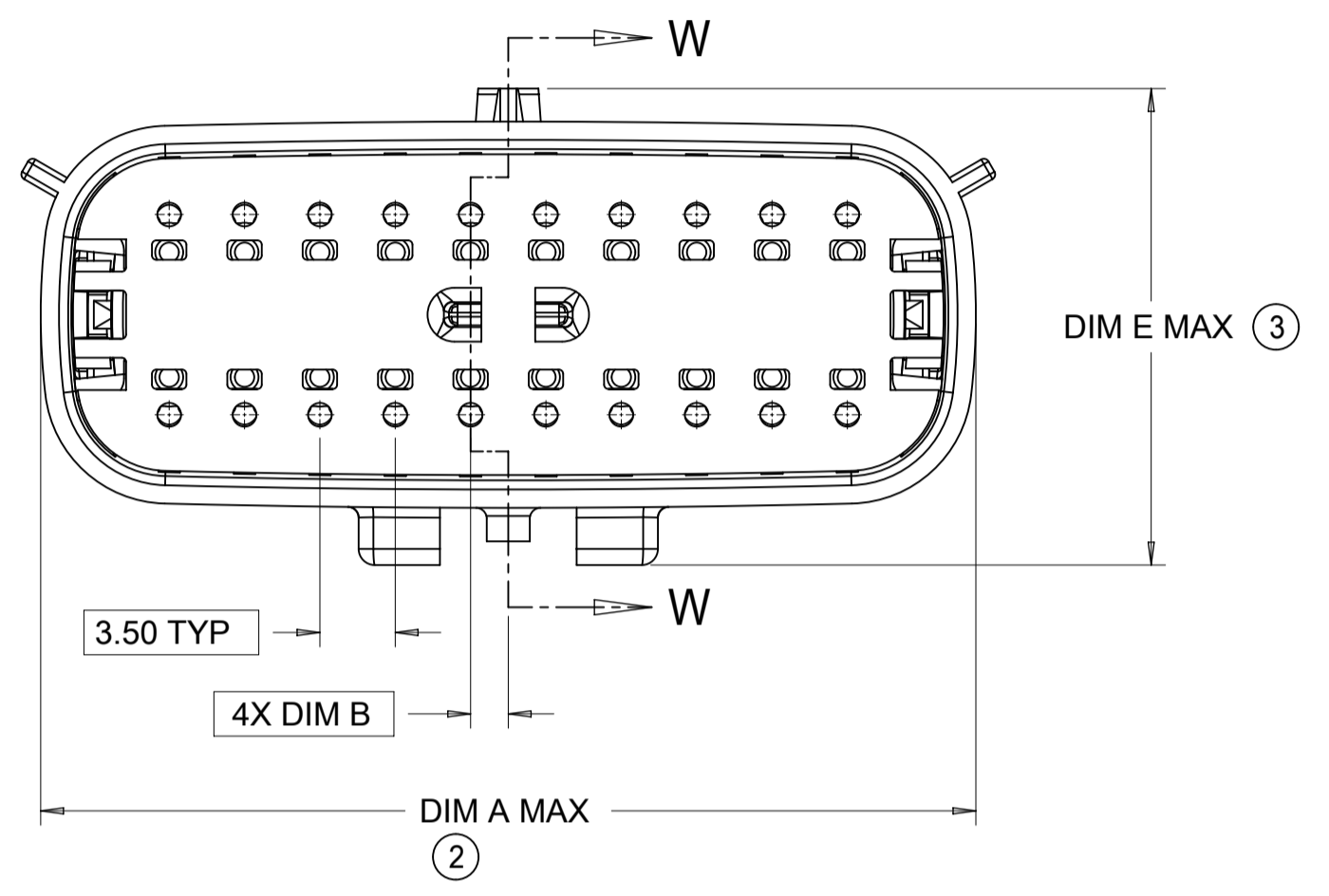
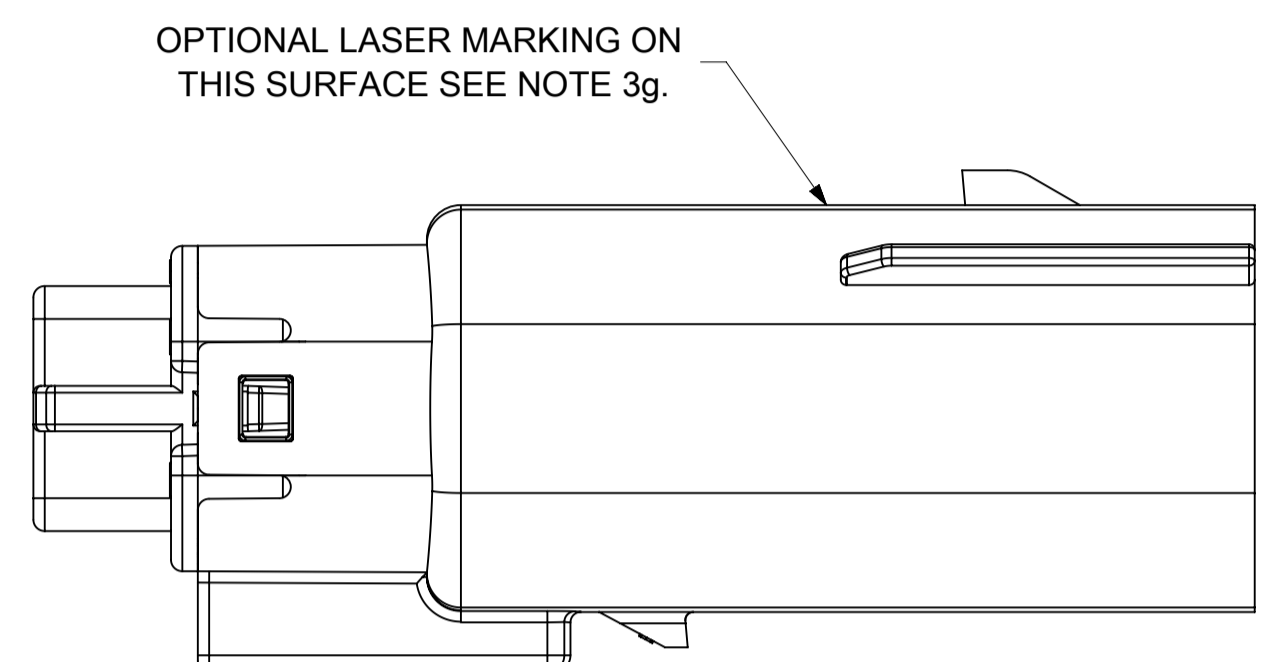


KEY D

SYMBOLS	THIS DRAWING CONTAINS INFORMATION THAT IS PROPRIETARY TO MOLEX ELECTRONIC TECHNOLOGIES, LLC AND SHOULD NOT BE USED WITHOUT WRITTEN PERMISSION		CURRENT REV DESC:				
	DIMENSION UNITS	SCALE					
▽ = 0	mm	3:1	GENERAL TOLERANCES (UNLESS SPECIFIED)	CHK'D: MVANSLAMBROU 2018/02/16	DUAL ROW SEALED ASSEMBLY MAT SEAL		
▽ = 0	ANGULAR TOL ± 1.0°		4 PLACES ±	APPR: MVANSLAMBROU 2018/02/16	PRODUCT CUSTOMER DRAWING		
▽ = 0	3 PLACES ±		INITIAL REVISION:	DRWN: APROFFITT 2014/04/28	DOCUMENT NUMBER	DOC TYPE	DOC PART
▽ = 0	2 PLACES ± 0.1		1 PLACE ± 0.2	APPR: VKOSHY 2014/05/14	SD-33482-0001	PSD	001
▽ = 0	0 PLACES ±		DRAFT WHERE APPLICABLE MUST REMAIN WITHIN DIMENSIONS	THIRD ANGLE PROJECTION	MATERIAL NUMBER	CUSTOMER	REVISION
⊗ = 0	DRAWING		A1-SIZE	SERIES	33482	GENERAL MARKET	E2
■ = 0	SHEET NUMBER		4 OF 11				

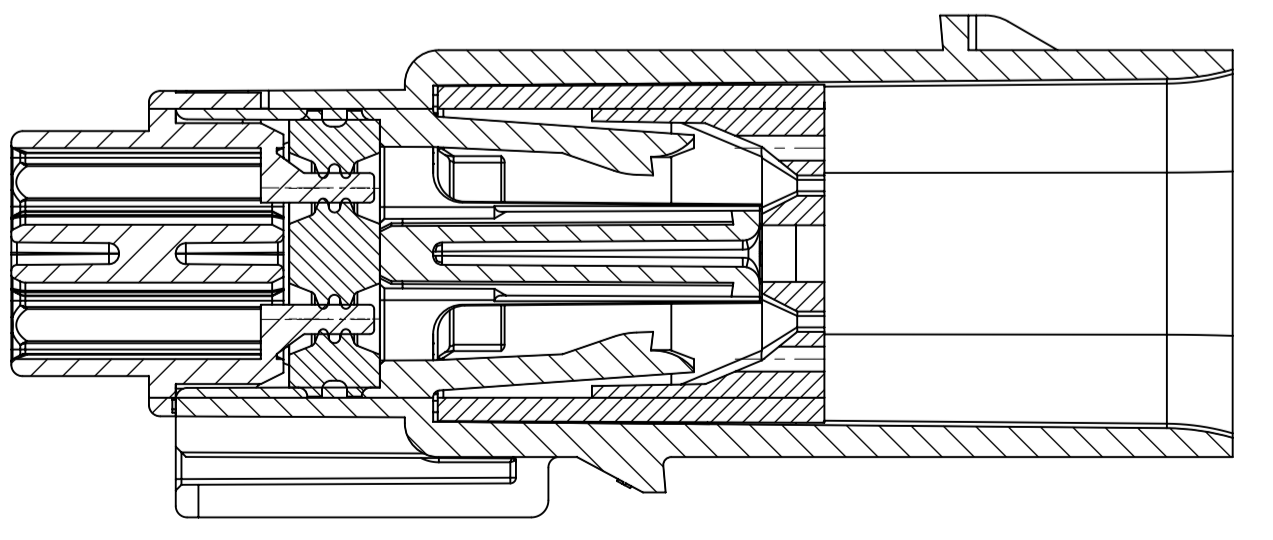
SHEET DESCRIPTION
BLADE SEALED ASSEMBLY

CHARTED DIMENSION					
DESCRIPTION	DIMENSIONS				
	A	B	C	D	E
2X2	15.54	1.75	24.40	54.45	22.23
2X3 STANDARD	19.04	3.50	26.21	54.45	22.23
2X3 LENGTHENED	19.04	3.50	26.21	56.45	22.23
2X4	22.54	1.75	27.21	54.45	22.23
2X6	29.54	1.75	32.27	54.45	22.23
2X8	36.54	1.75	38.88	54.45	22.23
2X10	43.64	1.75	45.65	54.45	22.05



PRIMARY LOCK REINFORCEMENT (PLR) SHOWN IN PRE-STAGED POSITION

SECTION W-W



PRIMARY LOCK REINFORCEMENT (PLR) SHOWN IN FINAL-LOCK POSITION

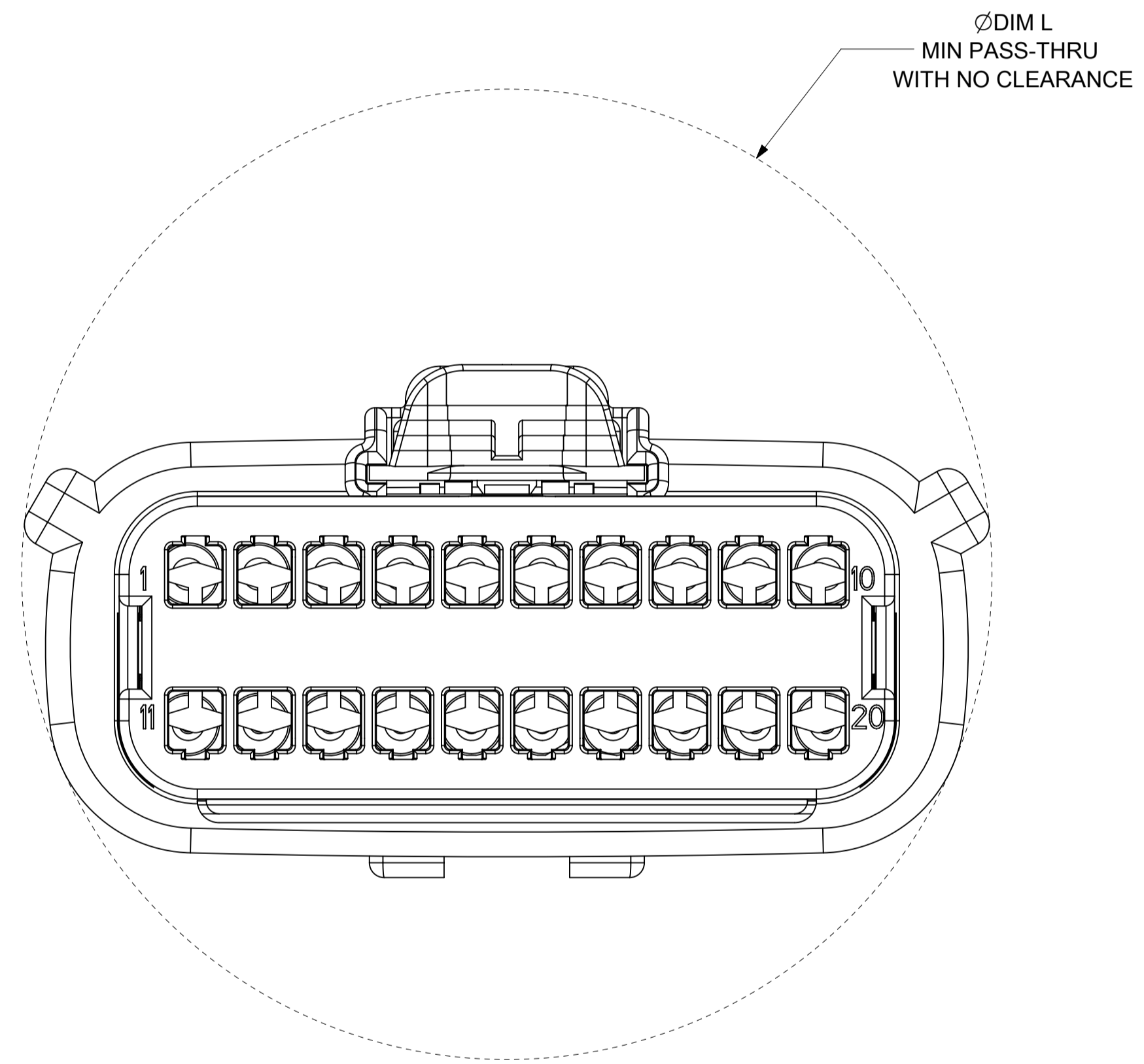
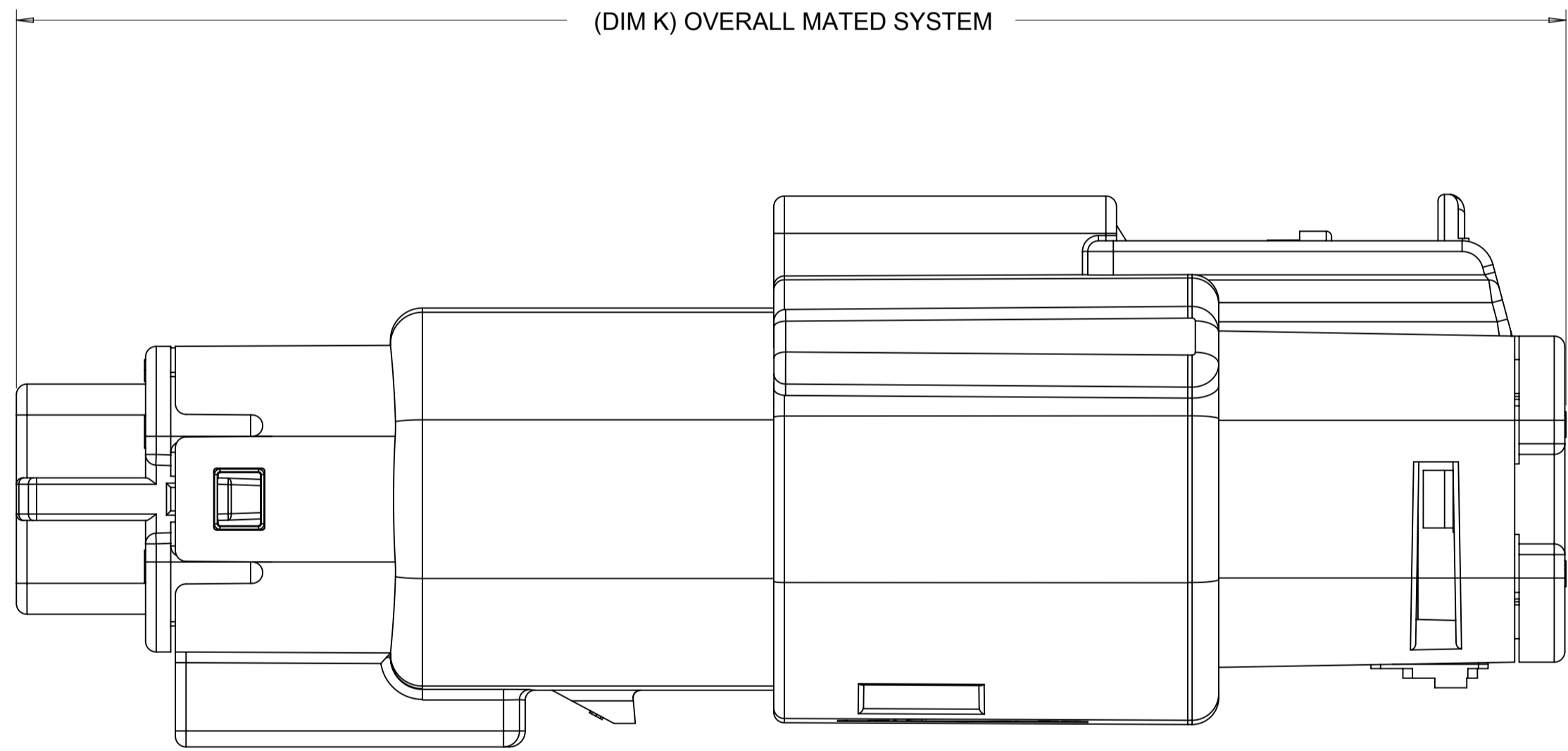
SECTION V-V

SYMBOLS ▽ = 0 ▽ = 0 ▽ = 0 ▽ = 0 ▽ = 0 ▽ = 0 ▽ = 0 ▽ = 0 ▽ = 0 ▽ = 0 ▽ = 0 ▽ = 0	THIS DRAWING CONTAINS INFORMATION THAT IS PROPRIETARY TO MOLEX ELECTRONIC TECHNOLOGIES, LLC AND SHOULD NOT BE USED WITHOUT WRITTEN PERMISSION	SCALE: 3:1		CURRENT REV DESC:							
	DIMENSION UNITS: mm	GENERAL TOLERANCES (UNLESS SPECIFIED)			EC NO: 171650					MX150 BLADE DUAL ROW SEALED ASSEMBLY MAT SEAL	
	ANGULAR TOL ± 1.0°	4 PLACES ±			DRWN: PMANJUNATHAC 2018/01/03			PRODUCT CUSTOMER DRAWING			
	3 PLACES ±	2 PLACES ± 0.1			CHK'D: MVANSLAMBROU 2018/02/16			DOCUMENT NUMBER: SD-33482-0001			
	2 PLACES ± 0.2	1 PLACE ±			APPR: MVANSLAMBROU 2018/02/16			DOC TYPE: PSD			
	0 PLACES ±	DRAFT WHERE APPLICABLE MUST REMAIN WITHIN DIMENSIONS			INITIAL REVISION: DRWN: APROFFITT 2014/04/28 APPR: VKOSHY 2014/05/14			DOC PART: 001			
THIRD ANGLE PROJECTION	DRAWING: A1-SIZE		SERIES: 33482		MATERIAL NUMBER:		CUSTOMER: GENERAL MARKET		REVISION: E2		
				SHEET NUMBER: 5 OF 11							

DOCUMENT STATUS: P1	RELEASE DATE: 2018/02/16	22:02:26
---------------------	--------------------------	----------

SHEET DESCRIPTION
SYSTEM PACKAGING

CHARTED DIMENSION				
CKT	BLADE CONFIGURATION	RECEPTACLE CONFIGURATION	DIMENSIONS	
			K	L
2X2	STANDARD	W/O CLIPSLOT	72.78	28.00
		W/ CLIPSLOT	72.78	28.50
		LENGTHENED	77.21	28.00
2X3	STANDARD	W/O CLIPSLOT	72.78	28.00
		W/ CLIPSLOT		30.50
	LENGTHENED	W/O CLIPSLOT	74.79	28.00
		W/ CLIPSLOT		30.50
2X4	STANDARD	W/O CLIPSLOT	72.78	29.50
		W/ CLIPSLOT		31.50
2X6	STANDARD	W/O CLIPSLOT	72.79	35.58
		W/ CLIPSLOT		
2X8	STANDARD	W/O CLIPSLOT	72.67	42.25
		W/ CLIPSLOT		
2X10	STANDARD	STANDARD	72.78	49.05

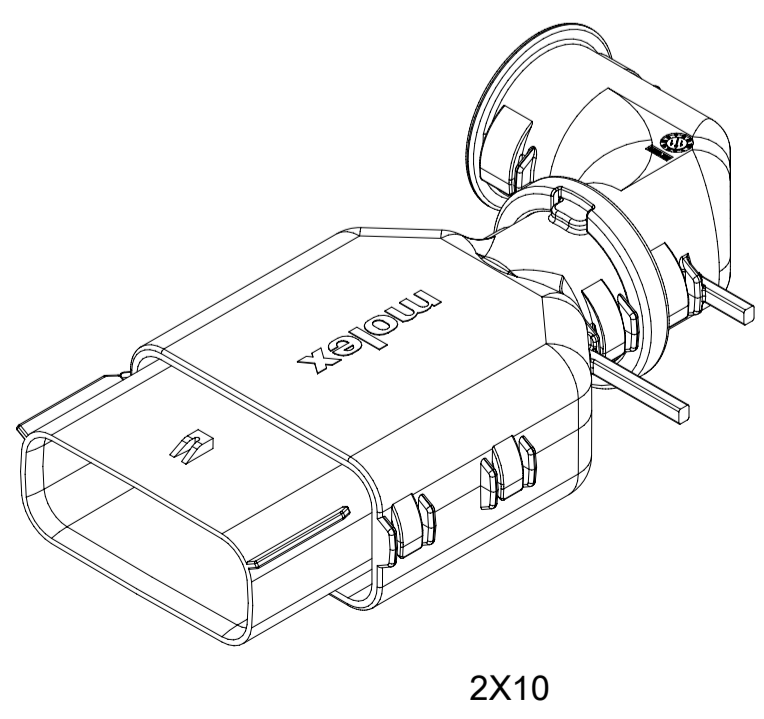
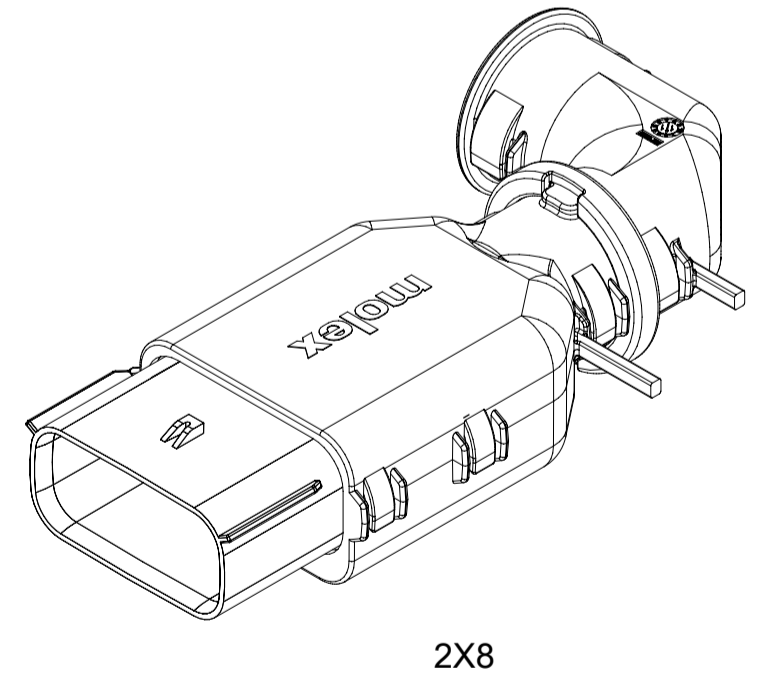
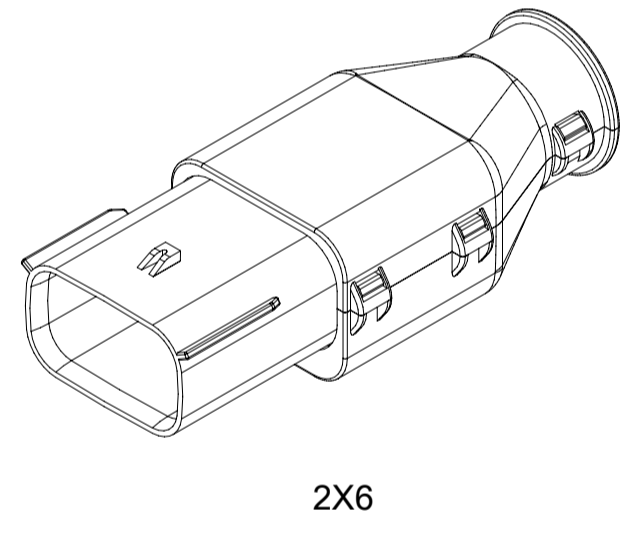
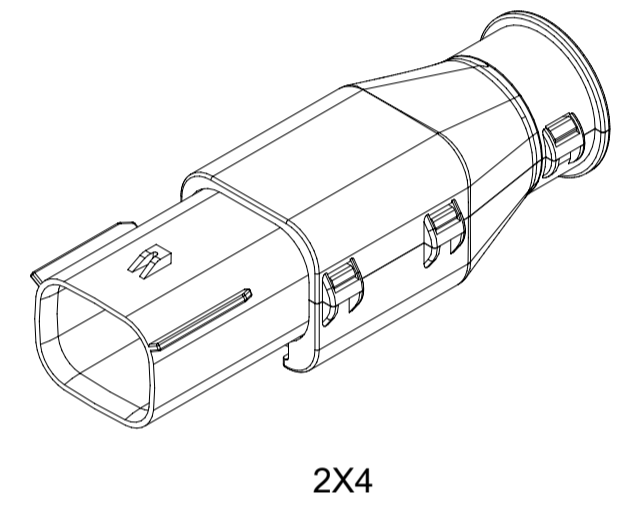
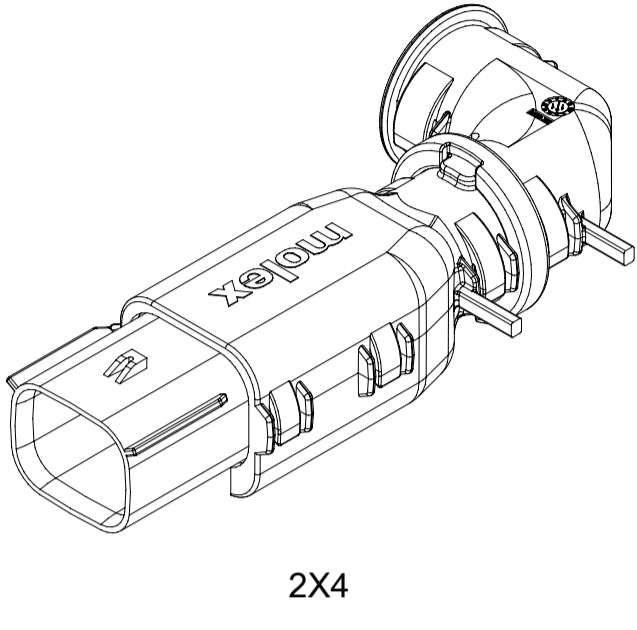
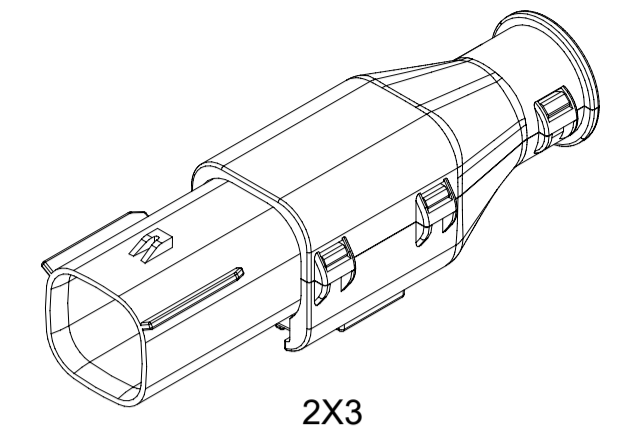


SYMBOLS ▽ = 0 ▽ = 0 ▽ = 0 ▽ = 0 ▽ = 0 ▽ = 0 ▽ = 0 ▽ = 0 ▽ = 0 ▽ = 0	THIS DRAWING CONTAINS INFORMATION THAT IS PROPRIETARY TO MOLEX ELECTRONIC TECHNOLOGIES, LLC AND SHOULD NOT BE USED WITHOUT WRITTEN PERMISSION	DIMENSION UNITS	SCALE	CURRENT REV DESC:						
	mm	4:1	EC NO: 171650 DRWN: PMANJUNATHAC 2018/01/03 CHK'D: MVANSLAMBROU 2018/02/16 APPR: MVANSLAMBROU 2018/02/16							
	GENERAL TOLERANCES (UNLESS SPECIFIED)				INITIAL REVISION:			DOCUMENT NUMBER		
	ANGULAR TOL ± 1.0°				DRWN: APROFFITT 2014/04/28			SD-33482-0001		
	4 PLACES ±				APPR: VKOSHY 2014/05/14			DOC TYPE DOC PART REVISION		
	3 PLACES ±				DRAFT WHERE APPLICABLE MUST REMAIN WITHIN DIMENSIONS			PSD 001 E2		
	2 PLACES ± 0.1				THIRD ANGLE PROJECTION			MATERIAL NUMBER		
	1 PLACE ± 0.2				DRAWING			CUSTOMER		
	0 PLACES ±				A1-SIZE			GENERAL MARKET		
	0 PLACES ±				SERIES			SHEET NUMBER		
				33482			6 OF 11			

SHEET DESCRIPTION
BACKSHELL NOTES

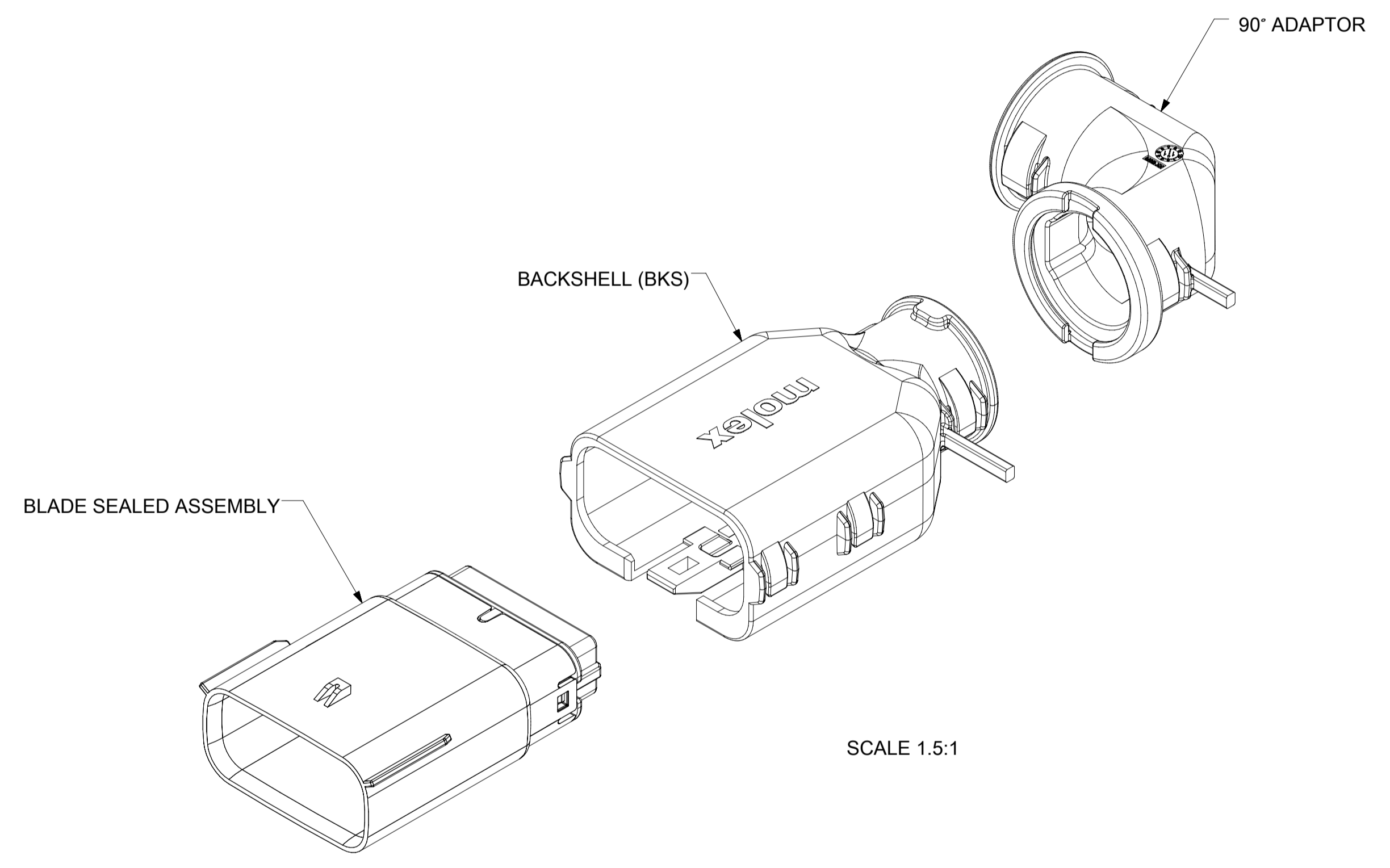
BACKSHELL NOTES: VALID UNLESS OTHERWISE SPECIFIED

1. GENERAL:
 a. APPLICATION SPECIFICATION SEE: AS-34951-001
 -DESIGNED TO MATE WITH BLADE SEALED ASSEMBLY SPECIFIED IN MOLEX DRAWING SD-33482-0001.
 -SYSTEM TO BE USED WITH WIRE WITHIN DIAMETER RANGE OF 1.2mm TO 2.69mm.
 -COMPONENTS ARE OPTIONAL AND MUST BE PURCHASED SEPERATELY.
 -DESIGN IS OWNED BY SCHLEMMER FOR SCHLEMMER BACKSHELL.
 -DESIGN IS OWNED BY MOLEX FOR MOLEX BACKSHELL.
 -90° ADAPTOR DESIGN IS OWNED BY MOLEX.
 -FOR ADDITIONAL INFORMATION SEE THE BACKSHELL COMPONENT DRAWING SD-34950-0001.



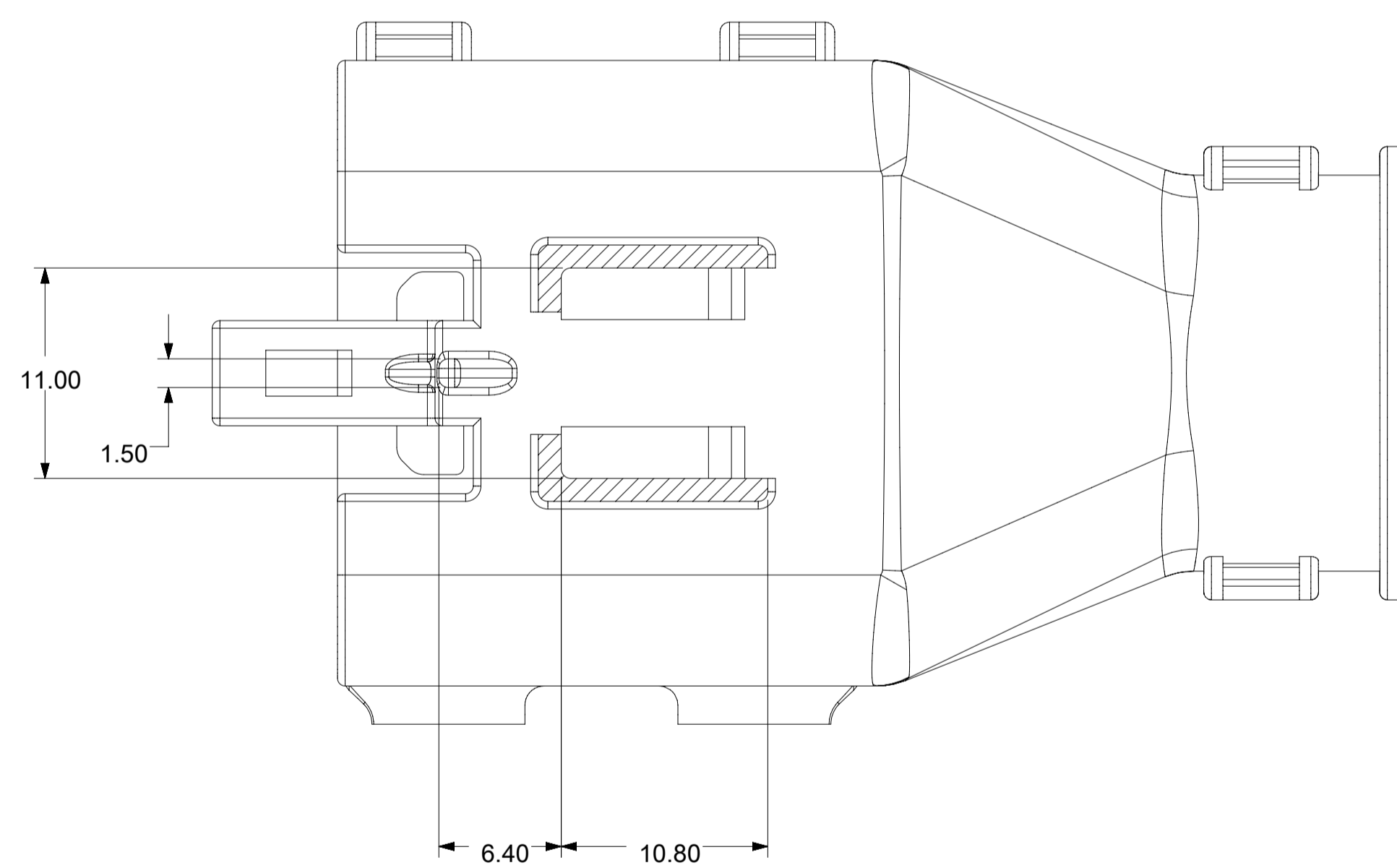
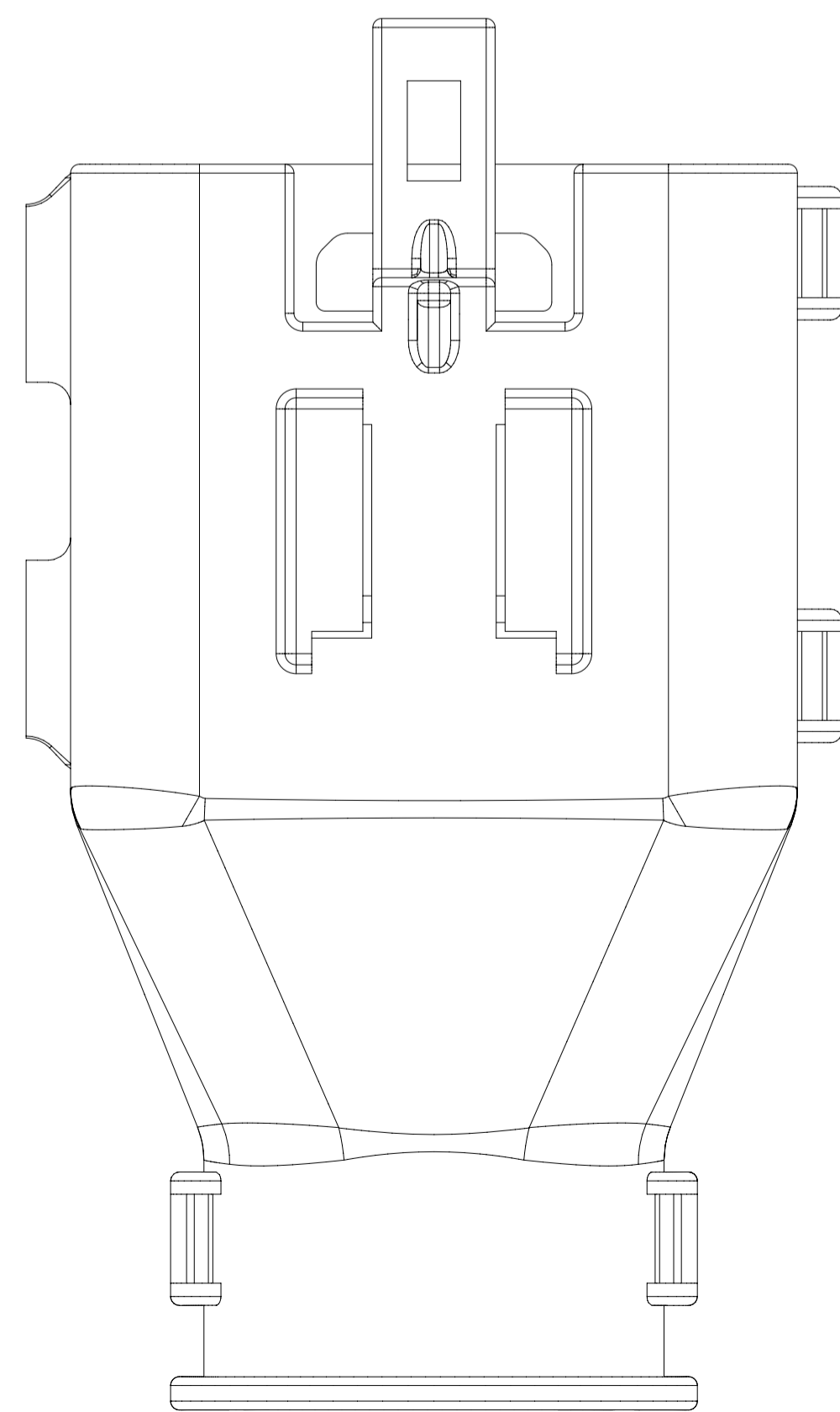
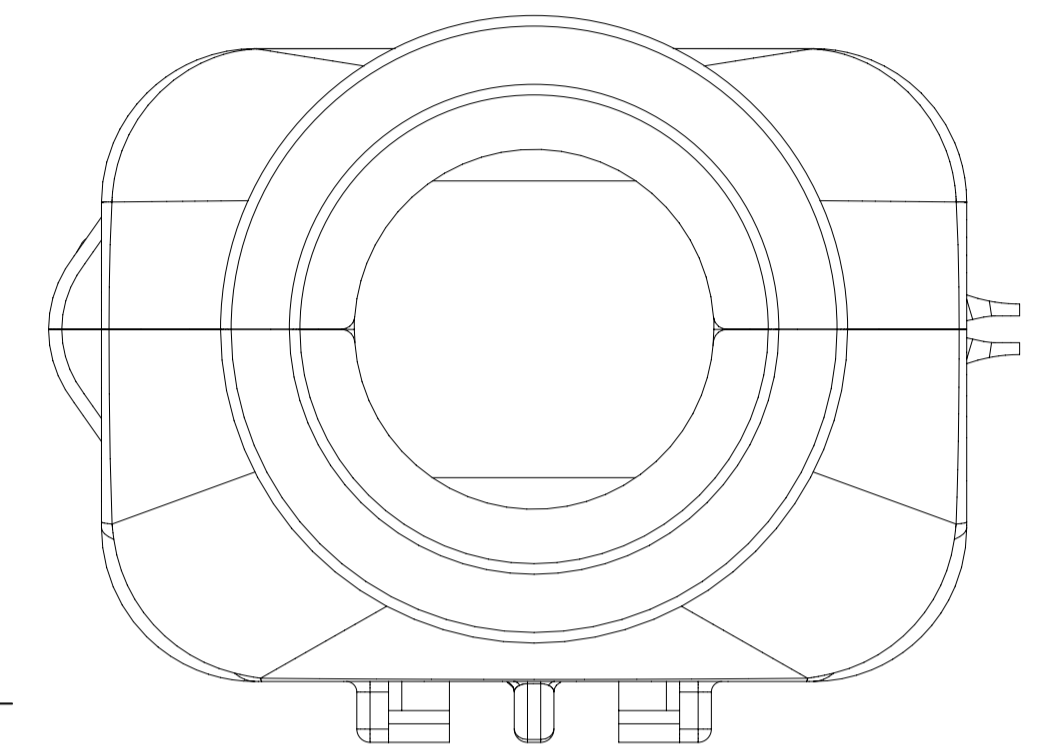
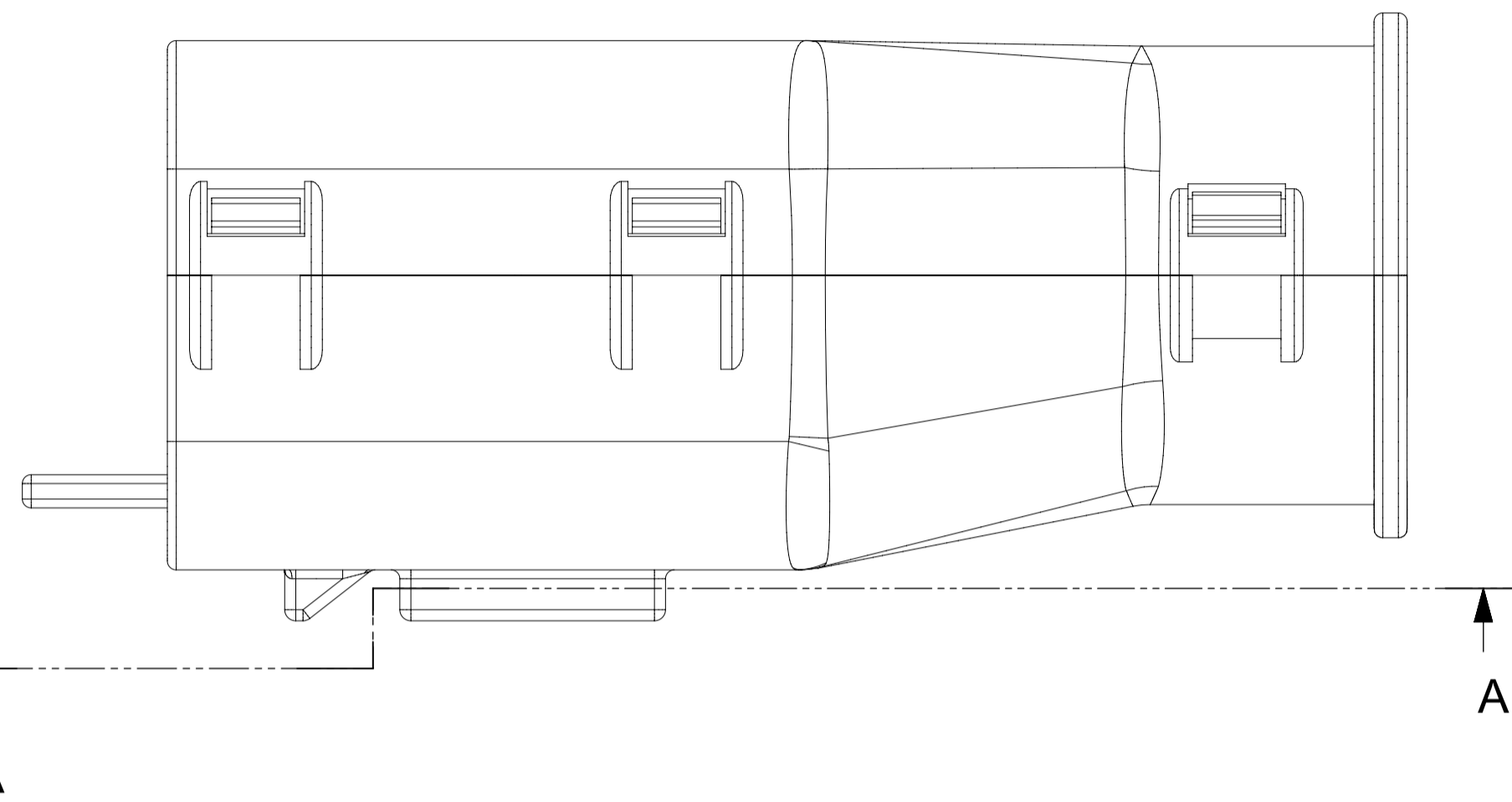
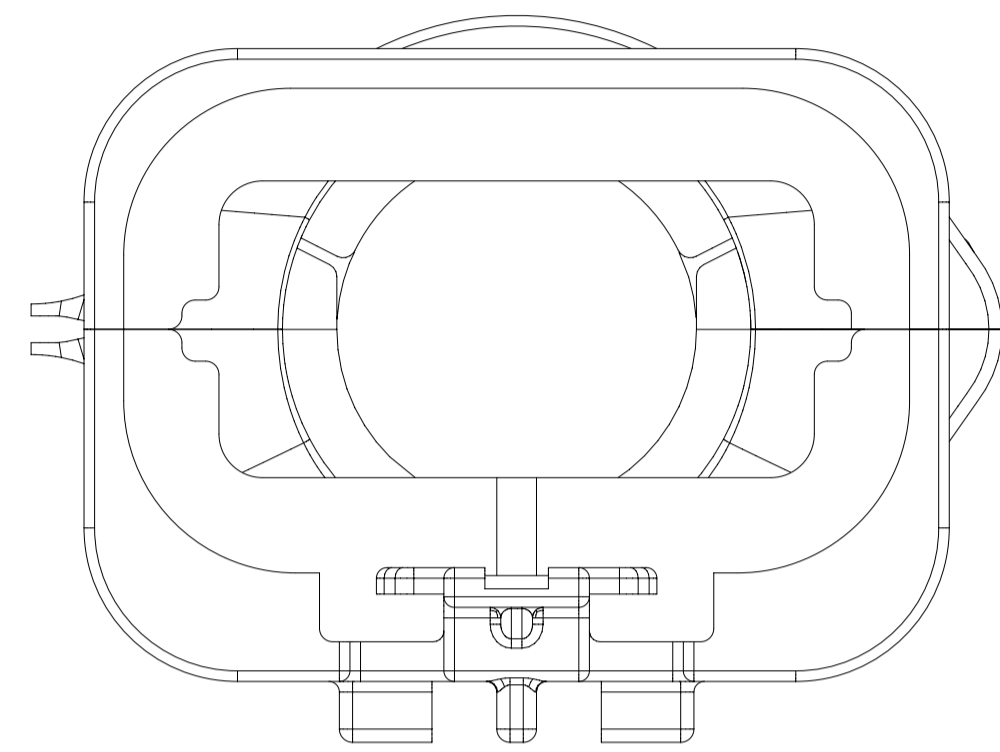
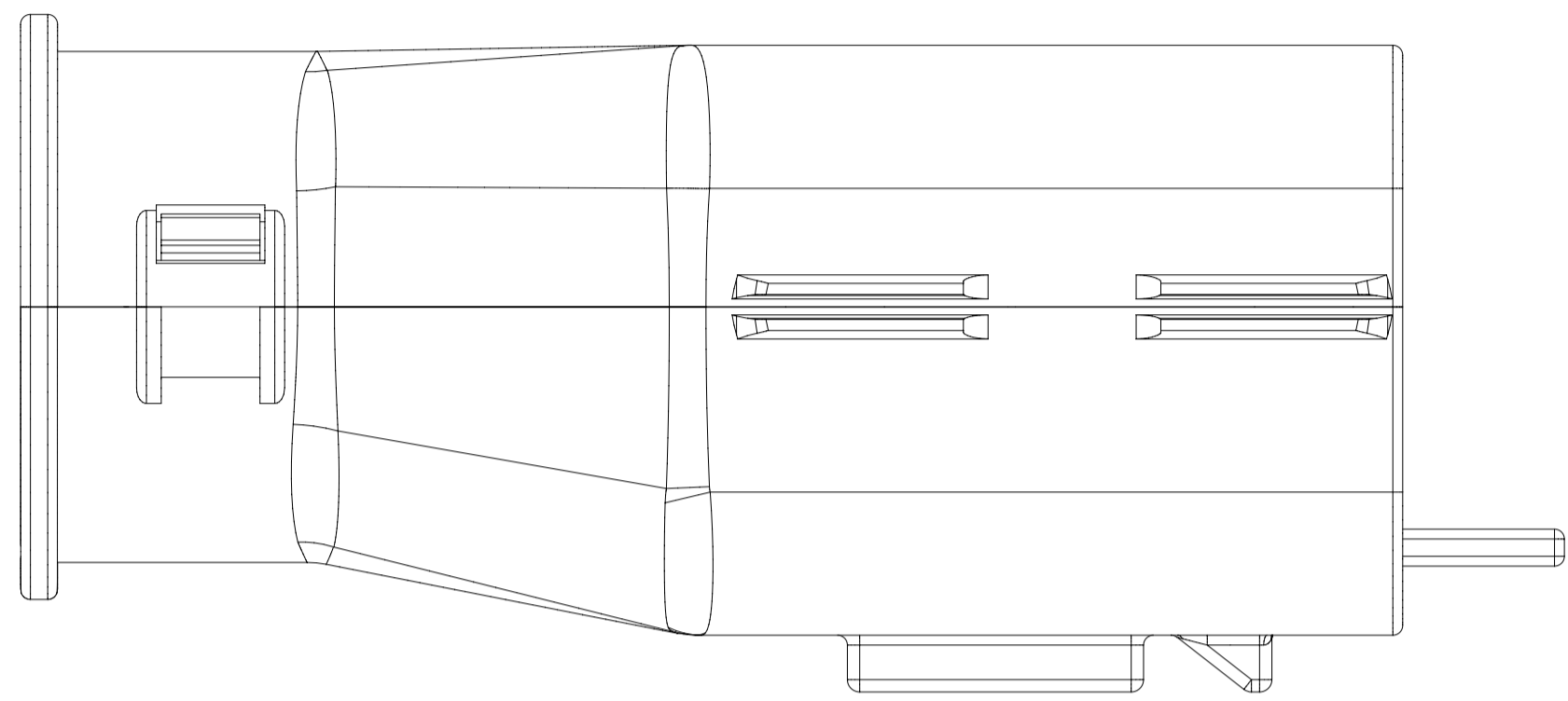
BACKSHELL CUSTOMER MODEL NUMBER LEGEND

- 34950-XXXX
- CUSTOMER MODEL COMPONENTS
 - 0 - SCHLEMMER BACKSHELL ONLY
 - 1 - SCHLEMMER BACKSHELL & MX150 HOUSING KEY A ASSEMBLY
 - 2 - SCHLEMMER BACKSHELL & MX150 HOUSING KEY B ASSEMBLY
 - 3 - SCHLEMMER BACKSHELL & MX150 HOUSING KEY C ASSEMBLY
 - 4 - SCHLEMMER BACKSHELL & MX150 HOUSING KEY D ASSEMBLY
 - 5 - MOLEX BACKSHELL ONLY
 - 6 - MOLEX BACKSHELL & MX150 HOUSING KEY A ASSEMBLY
 - 7 - MOLEX BACKSHELL & MX150 HOUSING KEY B ASSEMBLY
 - 8 - MOLEX BACKSHELL & MX150 HOUSING KEY C ASSEMBLY
 - 9 - MOLEX BACKSHELL & MX150 HOUSING KEY D ASSEMBLY
- BACKSHELL FEATURES
 - 1 - WITH RIBS
 - 2 - WITHOUT RIBS
 - 3 - 90° ADAPTOR
- MX150 CIRCUIT SIZE 04, 06, 08, 12, 16, 20



SYMBOLS	THIS DRAWING CONTAINS INFORMATION THAT IS PROPRIETARY TO MOLEX ELECTRONIC TECHNOLOGIES, LLC AND SHOULD NOT BE USED WITHOUT WRITTEN PERMISSION			CURRENT REV DESC:			molex		
	DIMENSION UNITS	SCALE							
▽ = 0	mm	1.5:1		EC NO: 171650			PRODUCT CUSTOMER DRAWING		
▽ = 0	GENERAL TOLERANCES (UNLESS SPECIFIED)			DRWN: PMANJUNATHAC 2018/01/03			DOCUMENT NUMBER		
▽ = 0	ANGULAR TOL ± 1.0°			CHK'D: MVANSLAMBROU 2018/02/16			DOC TYPE DOC PART REVISION		
▽ = 0	4 PLACES ±			APPR: MVANSLAMBROU 2018/02/16			SD-33482-0001 PSD 001 E2		
▽ = 0	3 PLACES ±			INITIAL REVISION:			MATERIAL NUMBER		
▽ = 0	2 PLACES ± 0.1			DRWN: APROFFITT 2014/04/28			CUSTOMER		
▽ = 0	1 PLACE ± 0.2			APPR: VKOSHY 2014/05/14			GENERAL MARKET		
▽ = 0	0 PLACES ±			THIRD ANGLE PROJECTION			SHEET NUMBER		
▽ = 0	DRAFT WHERE APPLICABLE MUST REMAIN WITHIN DIMENSIONS			DRAWING			7 OF 11		
▽ = 0				A1-SIZE					
				SERIES			33482		

SHEET DESCRIPTION
SCHLEMMER BACKSHELL



SECTION A-A

SYMBOLS = 0 = 0 = 0 = 0 = 0 = 0 = 0 = 0 = 0 = 0 = 0 = 0 = 0 = 0 = 0	THIS DRAWING CONTAINS INFORMATION THAT IS PROPRIETARY TO MOLEX ELECTRONIC TECHNOLOGIES, LLC AND SHOULD NOT BE USED WITHOUT WRITTEN PERMISSION		
	DIMENSION UNITS mm	SCALE 3.5:1	CURRENT REV DESC:
	GENERAL TOLERANCES (UNLESS SPECIFIED)		
	ANGULAR TOL ± 1.0°		
= 0 4 PLACES ±	EC NO: 171650		
= 0 3 PLACES ±	DRWN: PMANJUNATHAC 2018/01/03		
= 0 2 PLACES ± 0.1	CHK'D: MVANSLAMBROU 2018/02/16		
= 0 1 PLACE ± 0.2	APPR: MVANSLAMBROU 2018/02/16		
= 0 0 PLACES ±	INITIAL REVISION:		
DRAFT WHERE APPLICABLE MUST REMAIN WITHIN DIMENSIONS	THIRD ANGLE PROJECTION 	DRAWING A1-SIZE	
	SERIES 33482	MATERIAL NUMBER SD-33482-0001	

molex

MX150 BLADE
DUAL ROW SEALED ASSEMBLY MAT SEAL

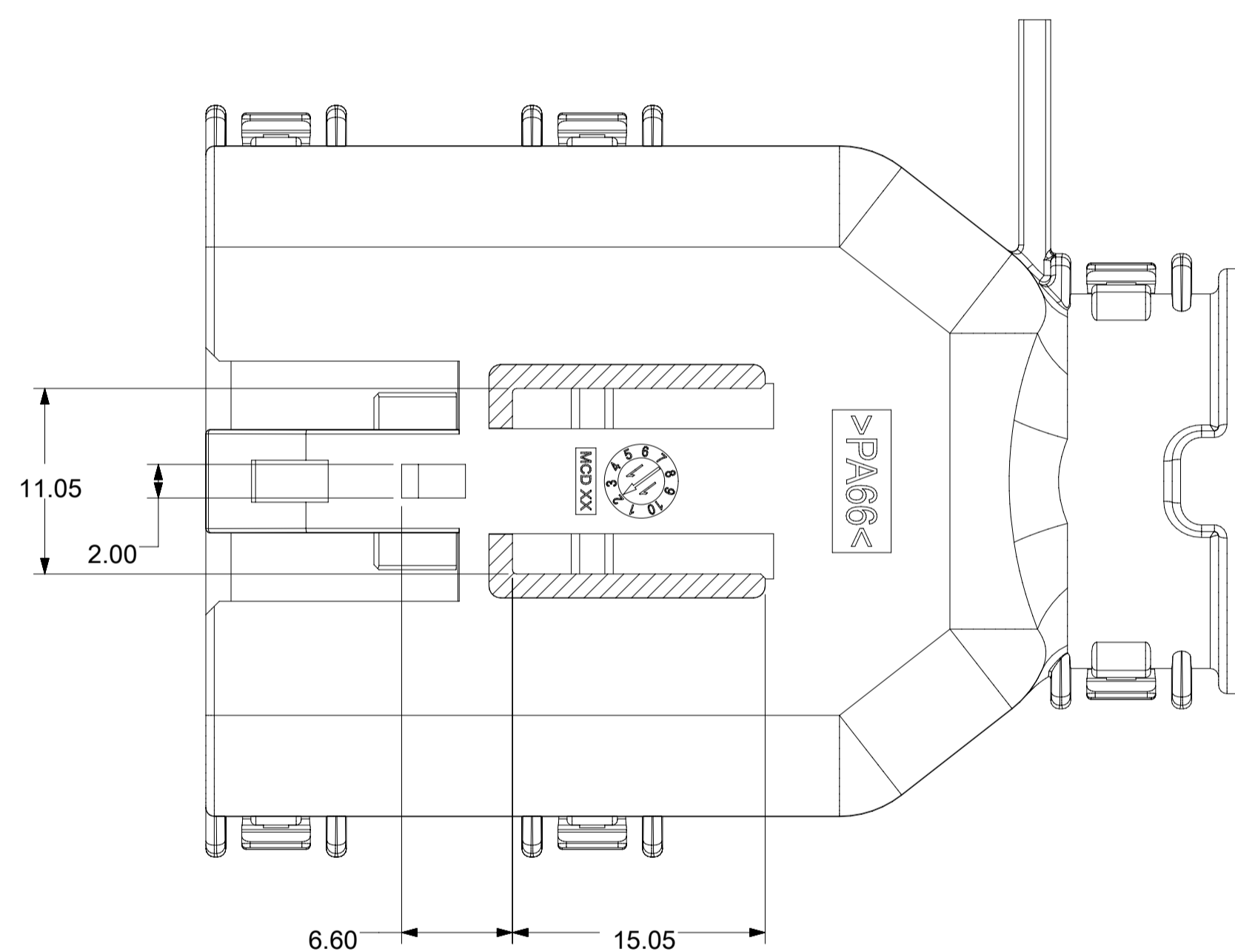
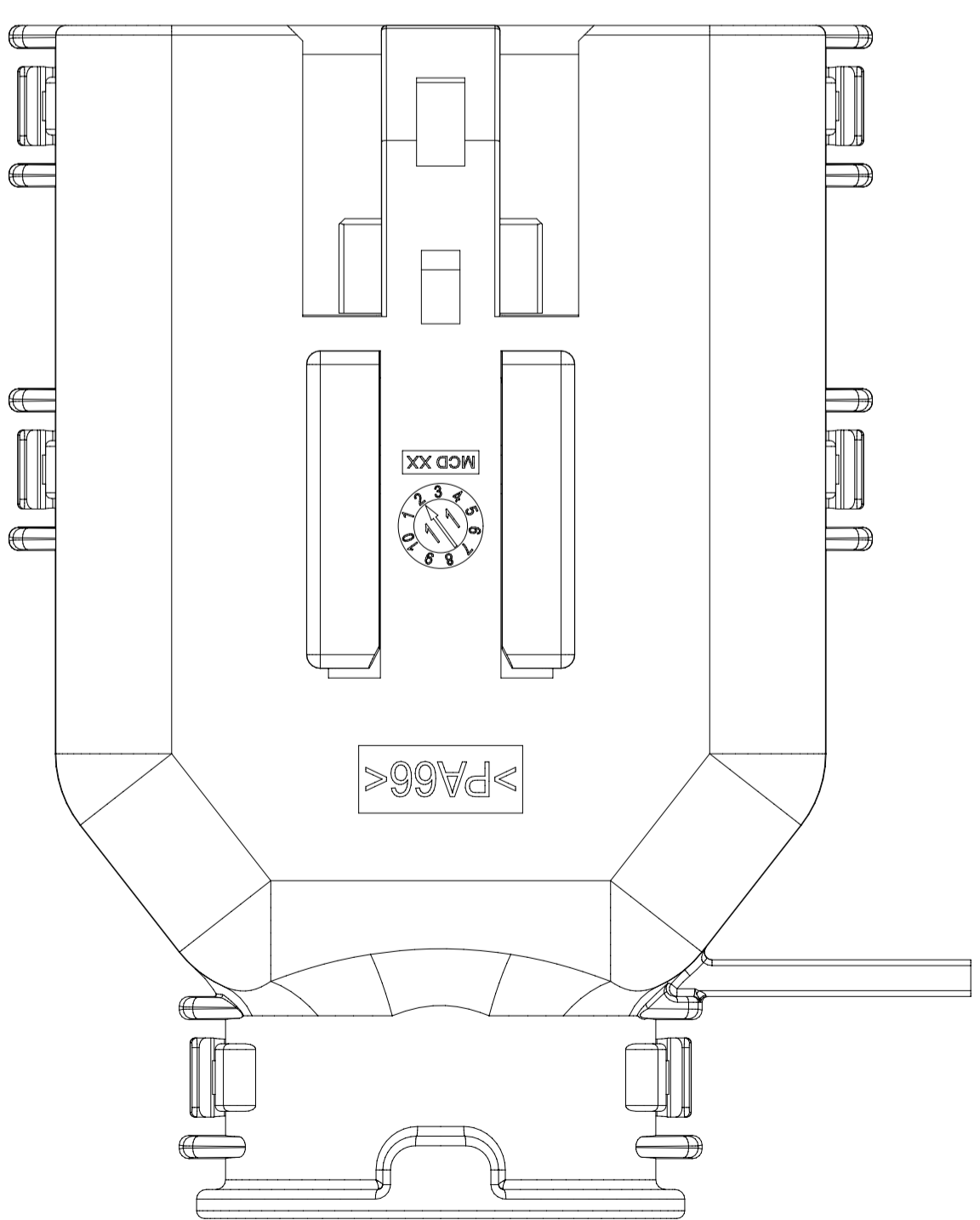
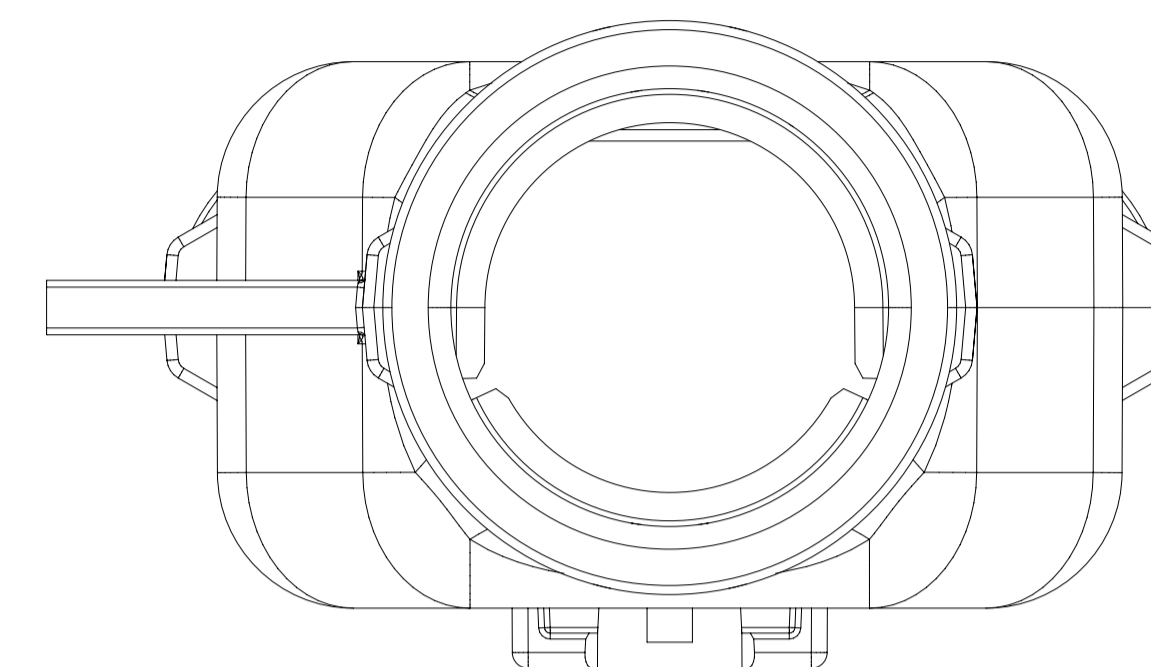
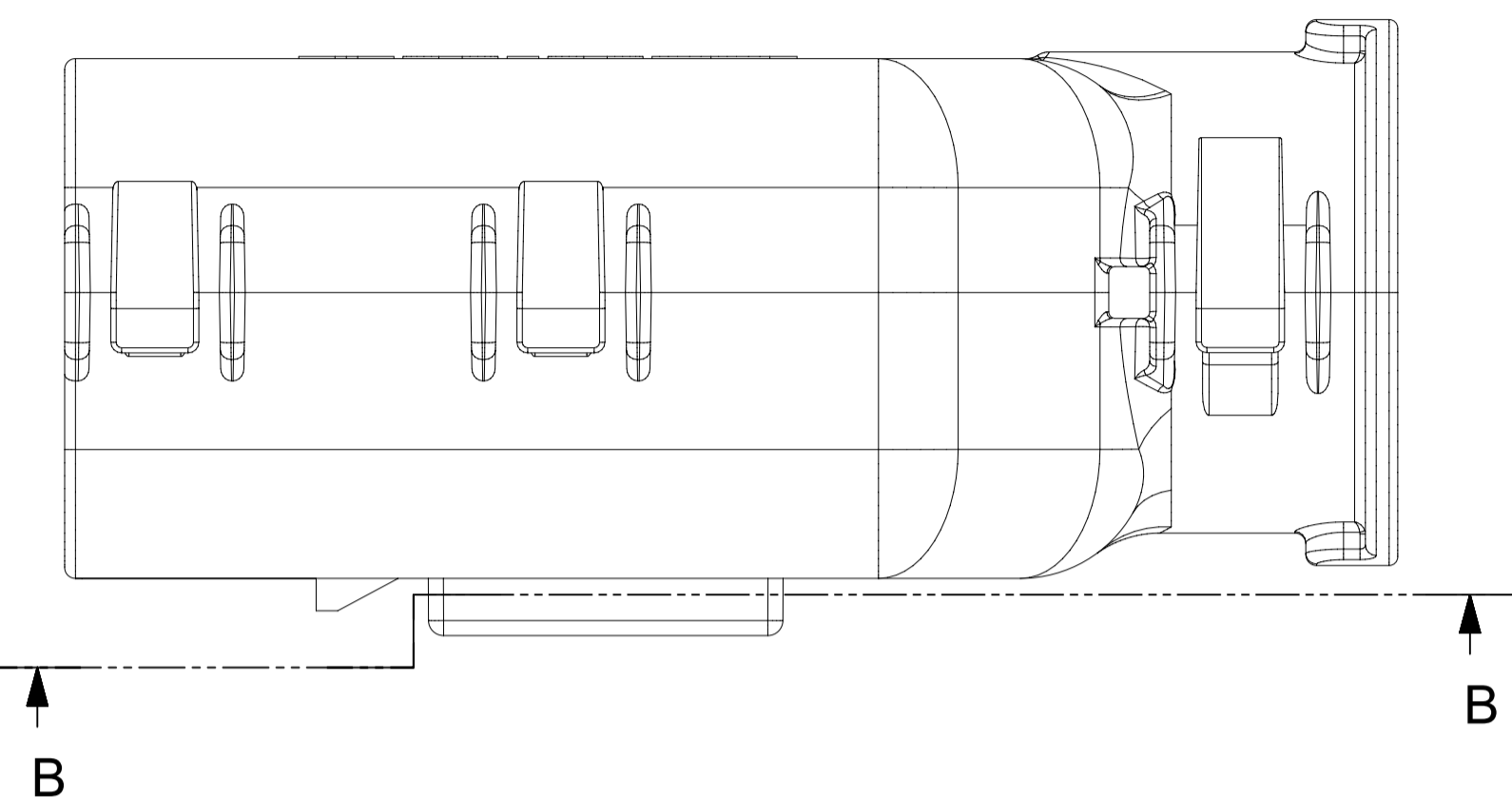
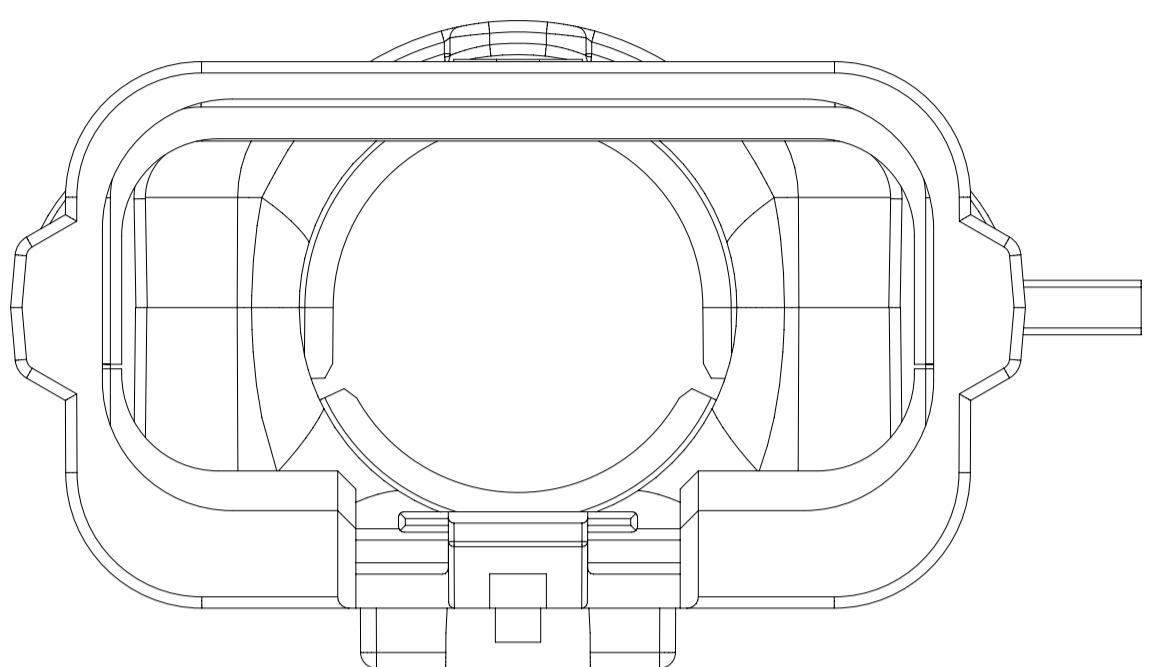
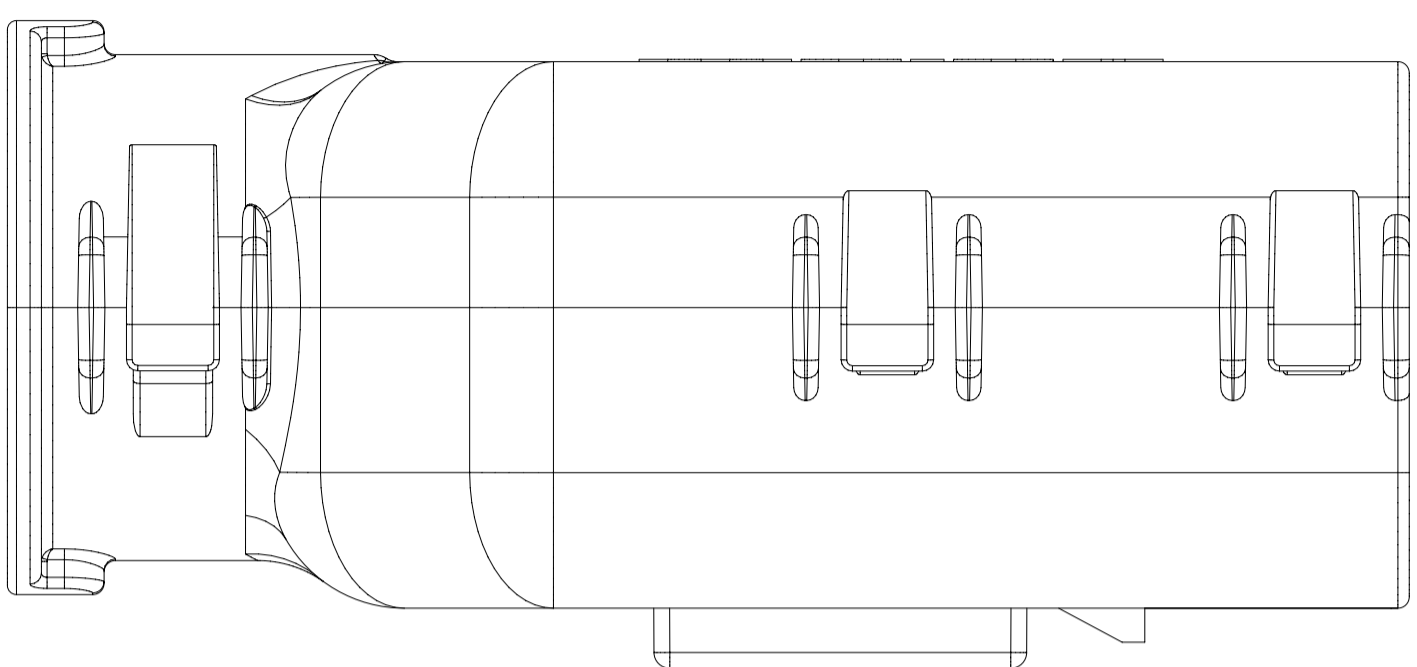
PRODUCT CUSTOMER DRAWING

DOCUMENT NUMBER	DOC TYPE	DOC PART	REVISION
SD-33482-0001	PSD	001	E2

CUSTOMER
GENERAL MARKET
SHEET NUMBER
8 OF 11

DOCUMENT STATUS	P1	RELEASE DATE	2018/02/16 22:02:26
-----------------	----	--------------	---------------------

SHEET DESCRIPTION
MOLEX BACKSHELL



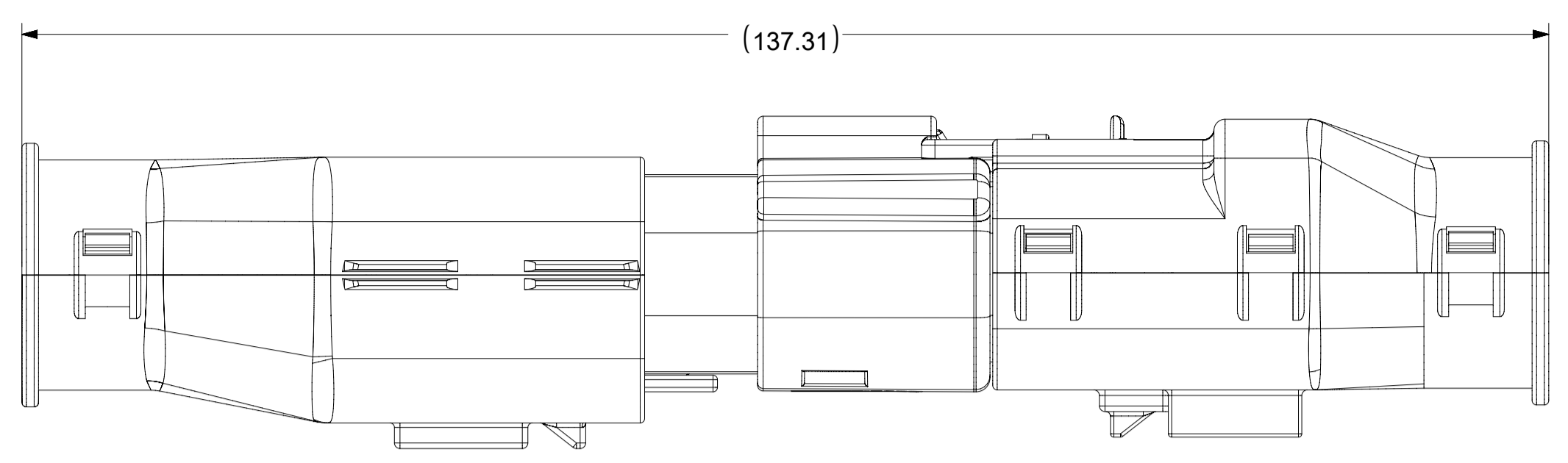
SECTION B-B

SYMBOLS		THIS DRAWING CONTAINS INFORMATION THAT IS PROPRIETARY TO MOLEX ELECTRONIC TECHNOLOGIES, LLC AND SHOULD NOT BE USED WITHOUT WRITTEN PERMISSION		CURRENT REV DESC:					
		DIMENSION UNITS	SCALE						
∇ = 0		mm	3:1	EC NO: 171650			MX150 BLADE DUAL ROW SEALED ASSEMBLY MAT SEAL		
∇ = 0		GENERAL TOLERANCES (UNLESS SPECIFIED)		DRWN: PMANJUNATHAC 2018/01/03			PRODUCT CUSTOMER DRAWING		
∇ = 0		ANGULAR TOL ± 1.0°		CHK'D: MVANSLAMBROU 2018/02/16			DOCUMENT NUMBER		
∇ = 0	4 PLACES ±				APPR: MVANSLAMBROU 2018/02/16			SD-33482-0001	
∇ = 0	3 PLACES ±			INITIAL REVISION:			DOC TYPE DOC PART REVISION		
∇ = 0	2 PLACES ± 0.1				DRWN: APROFFITT 2014/04/28			PSD 001 E2	
∇ = 0	1 PLACE ± 0.2				APPR: VKOSHY 2014/05/14			MATERIAL NUMBER	
⊠ = 0	0 PLACES ±				THIRD ANGLE PROJECTION			CUSTOMER	
■ = 0	DRAFT WHERE APPLICABLE MUST REMAIN WITHIN DIMENSIONS				DRAWING			SHEET NUMBER	
∇ = 0					A1-SIZE 33482			GENERAL MARKET 9 OF 11	

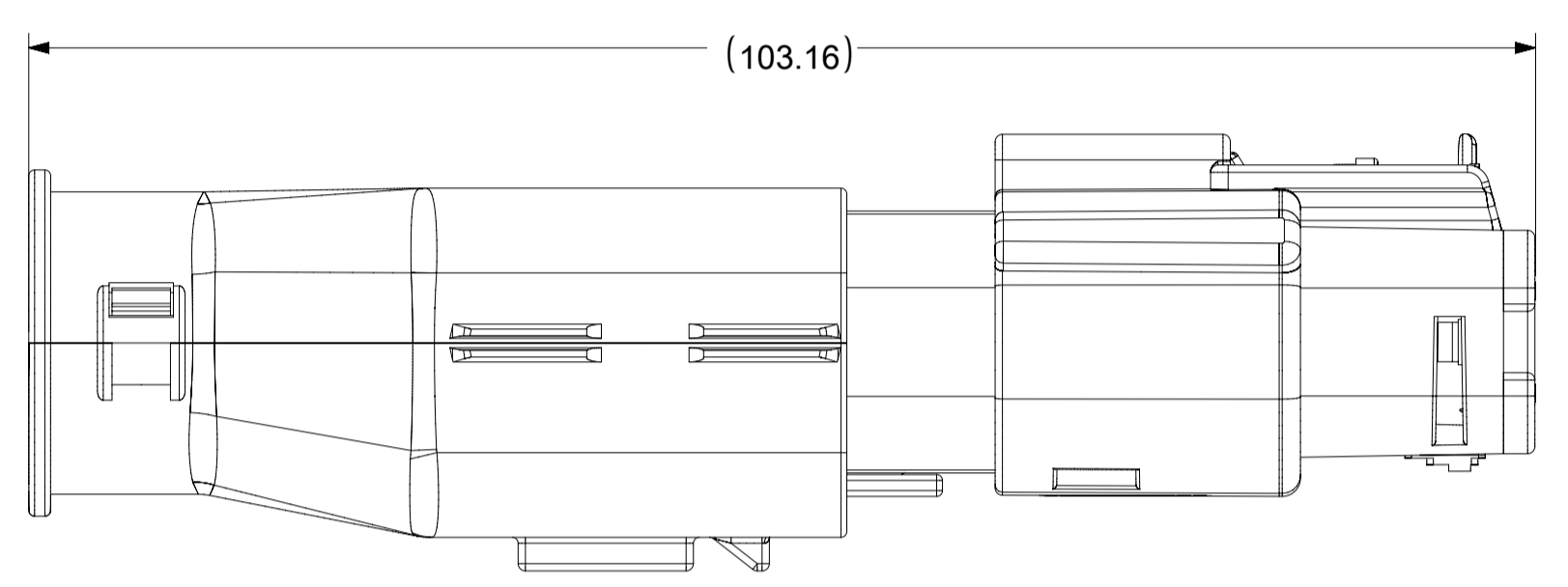
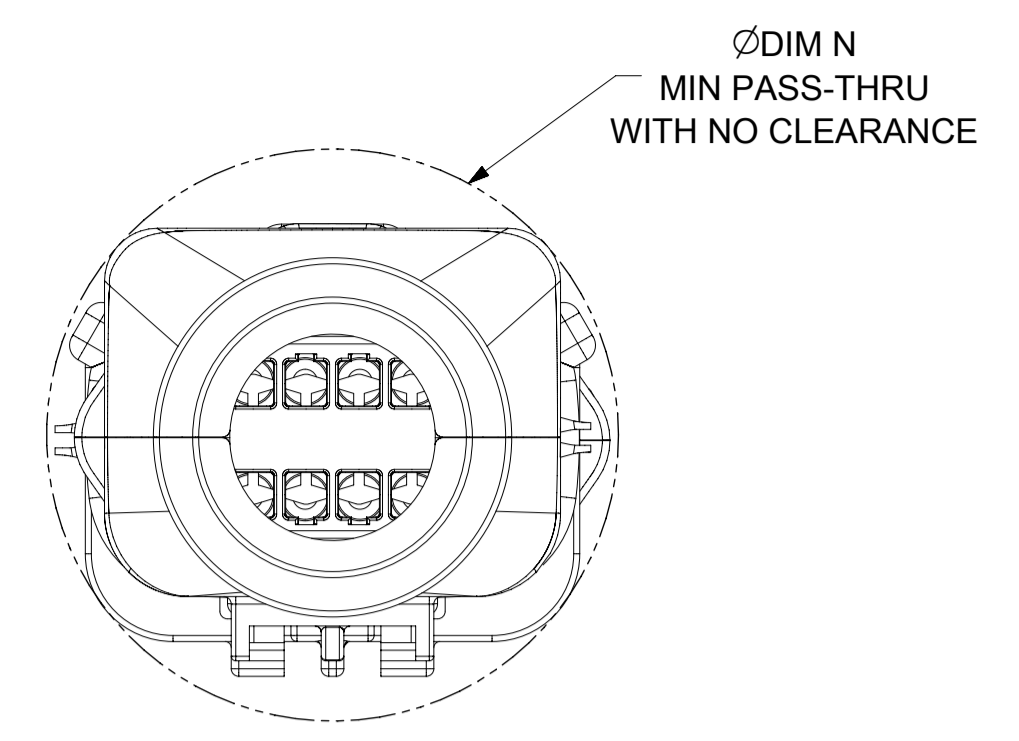
DOCUMENT STATUS	P1	RELEASE DATE	2018/02/16 22:02:26
-----------------	----	--------------	---------------------

SHEET DESCRIPTION
SCHLEMMER BACKSHELL CONFIGURATIONS

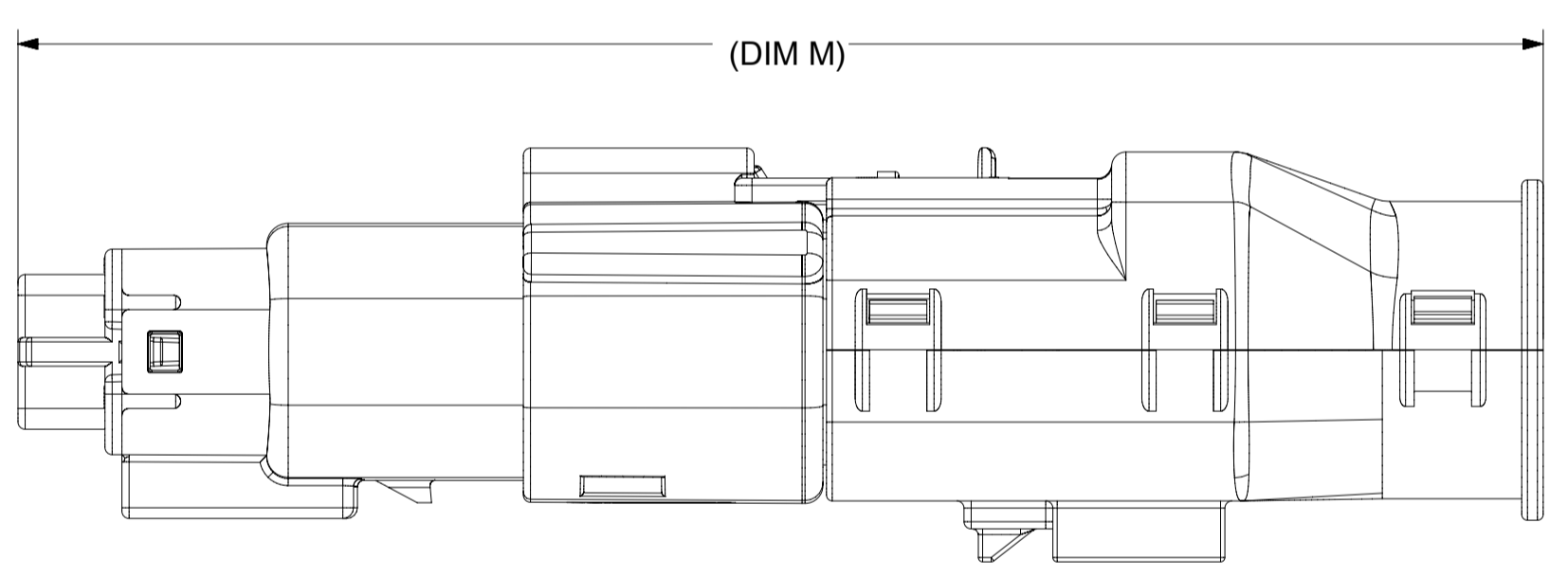
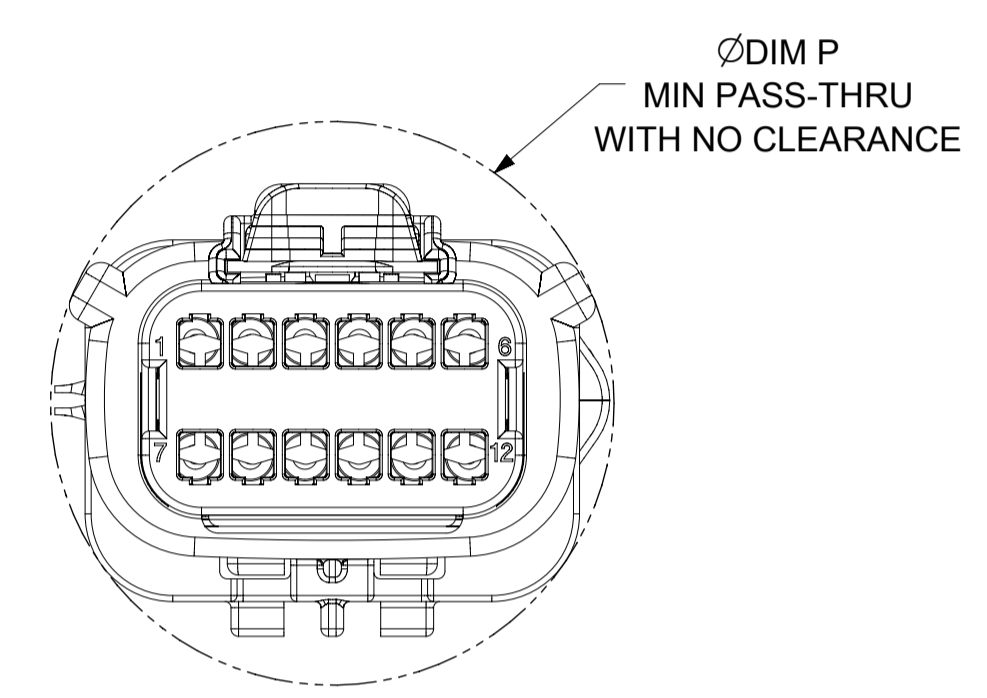
CKT	BLADE CONFIGURATION	RECEPTACLE CONFIGURATION	DIMENSIONS				
			M	N	P	R	T
2X3	STANDARD	STANDARD	106.83	32.75	31.75	29.00	29.50
	LENGTHENED		108.71				
2X4	STANDARD	STANDARD	106.83	33.50	31.90	30.70	30.70
2X6	STANDARD	STANDARD	106.83	37.84	37.27	35.83	36.83



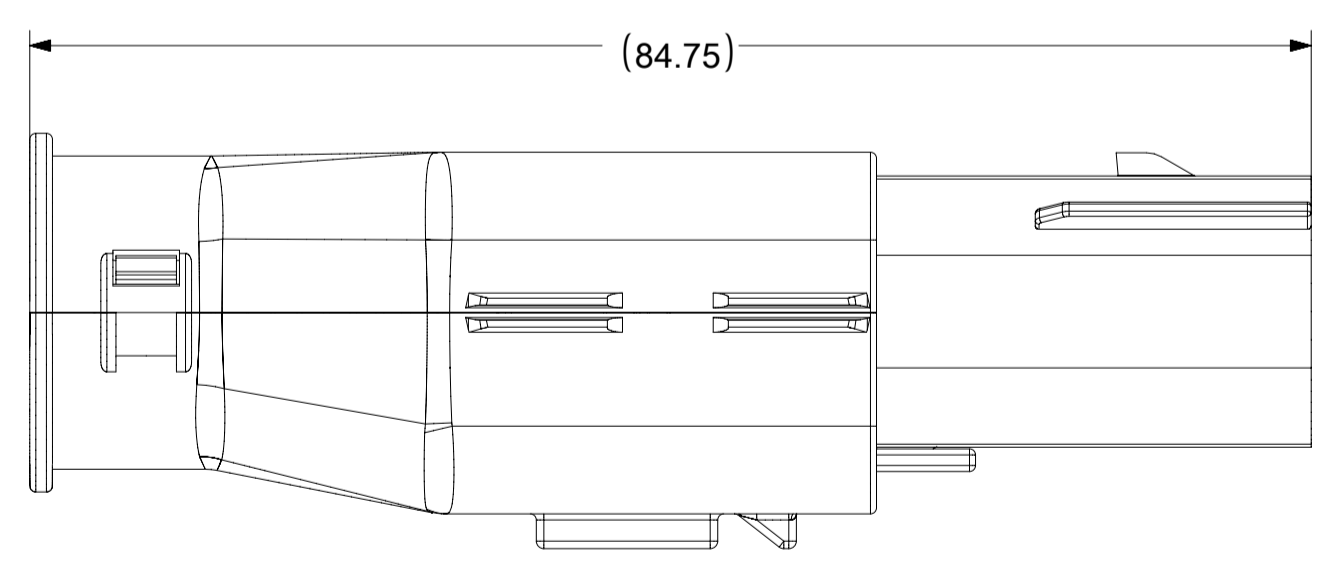
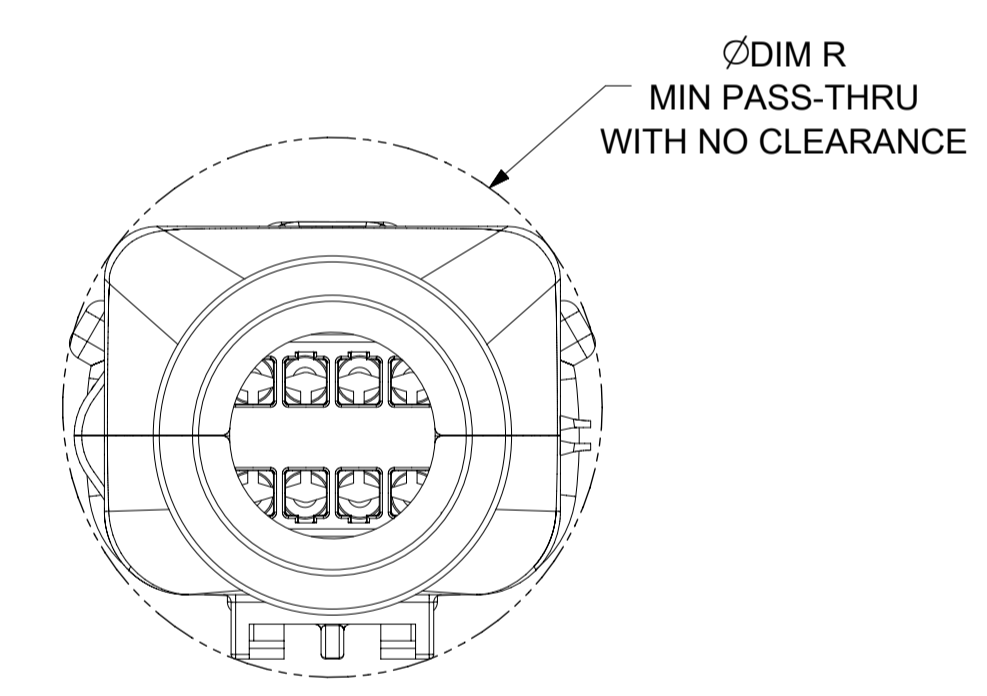
OVERALL MATED SYSTEM WITH BLADE AND RECEPTACLE BACKSHELL



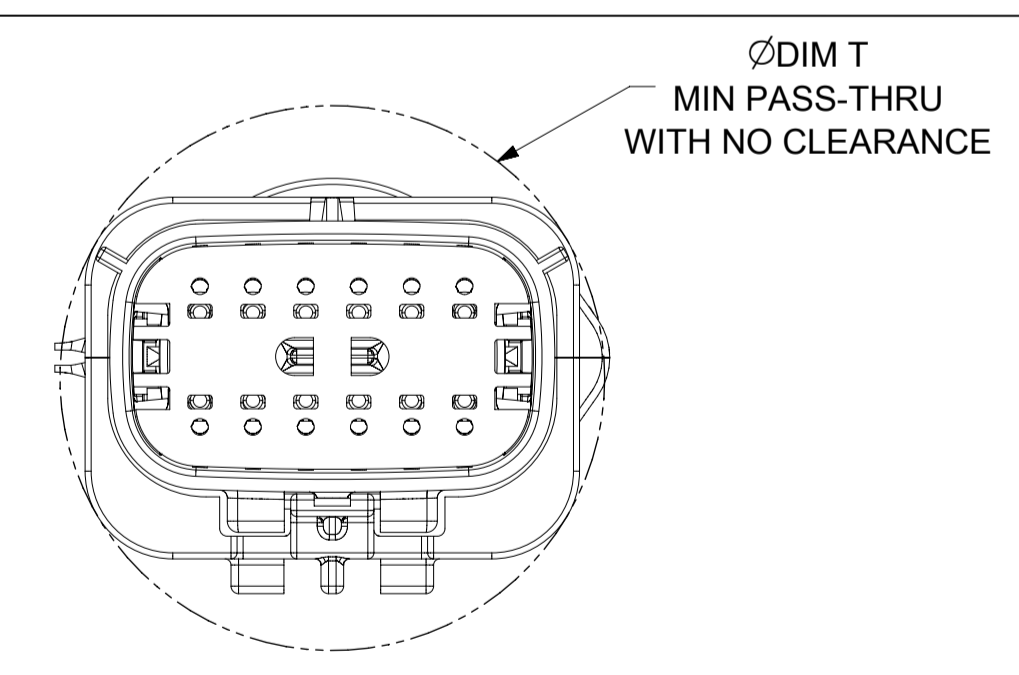
OVERALL MATED SYSTEM WITH BLADE BACKSHELL



OVERALL MATED SYSTEM WITH RECEPTACLE BACKSHELL



BLADE SEALED ASSEMBLY WITH BLADE BACKSHELL

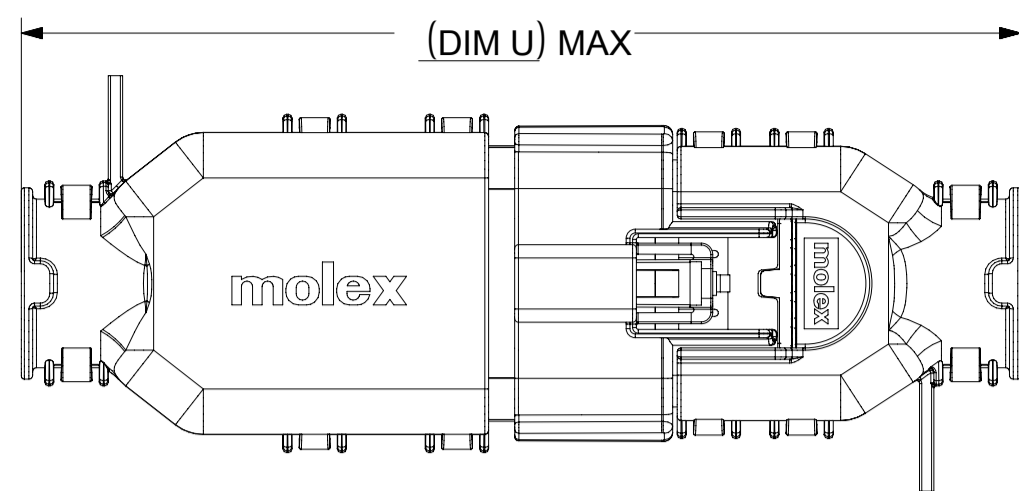


SYMBOLS THIS DRAWING CONTAINS INFORMATION THAT IS PROPRIETARY TO MOLEX ELECTRONIC TECHNOLOGIES, LLC AND SHOULD NOT BE USED WITHOUT WRITTEN PERMISSION DIMENSION UNITS: mm SCALE: 2:1 GENERAL TOLERANCES (UNLESS SPECIFIED): ANGULAR TOL: ± 1.0° 4 PLACES: ± 3 PLACES: ± 2 PLACES: ± 0.1 1 PLACE: ± 0.2 0 PLACES: ± DRAFT WHERE APPLICABLE MUST REMAIN WITHIN DIMENSIONS	CURRENT REV DESC:		 MX150 BLADE DUAL ROW SEALED ASSEMBLY MAT SEAL PRODUCT CUSTOMER DRAWING	
	EC NO: 171650 DRWN: PMANJUNATHAC 2018/01/03 CHK'D: MVANSLAMBROU 2018/02/16 APPR: MVANSLAMBROU 2018/02/16			DOCUMENT NUMBER: SD-33482-0001 DOC TYPE: PSD DOC PART: 001 REVISION: E2
	INITIAL REVISION: DRWN: APROFFITT 2014/04/28 APPR: VKOSHY 2014/05/14			MATERIAL NUMBER: 33482 CUSTOMER: GENERAL MARKET SHEET NUMBER: 10 OF 11
	THIRD ANGLE PROJECTION	DRAWING: A1-SIZE		SERIES: 33482

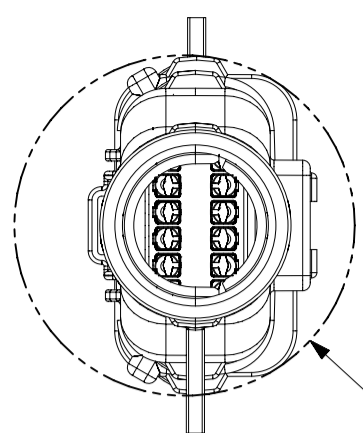
SHEET DESCRIPTION
MOLEX BACKSHELL CONFIGURATIONS

CHARTED DIMENSIONS

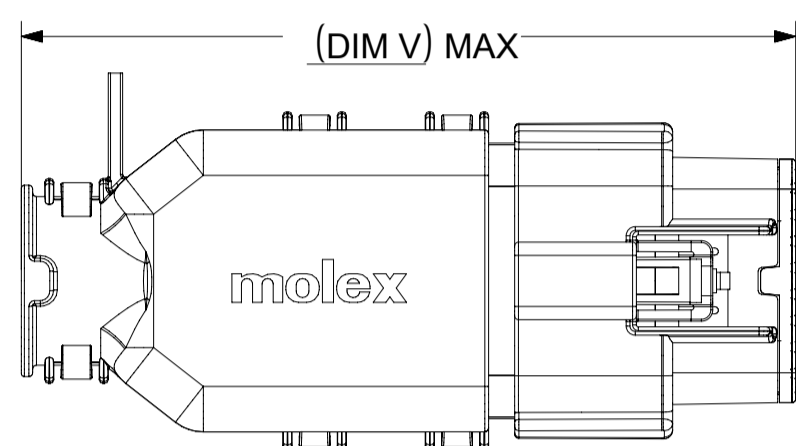
CKT	BLADE CONFIGURATION	RECEPTACLE CONFIGURATION	DIMENSIONS									
			U	V	W	X	Y	AA	AB	AC	AD	AE
2X4	STANDARD	STANDARD	115.24	94.36	93.93	75.62	32.10	32.93	32.54	32.85	31.76	56.81
2X8	STANDARD	STANDARD	132.49	102.81	102.73	84.07	36.10	45.44	45.44	42.65	45.44	68.18
2X10	STANDARD	STANDARD	132.49	102.81	102.73	84.07	36.10	45.44	45.44	42.65	45.44	68.18



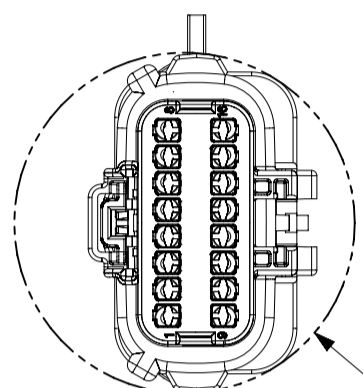
OVERALL MATED SYSTEM WITH BLADE AND RECEPTACLE BACKSHELL



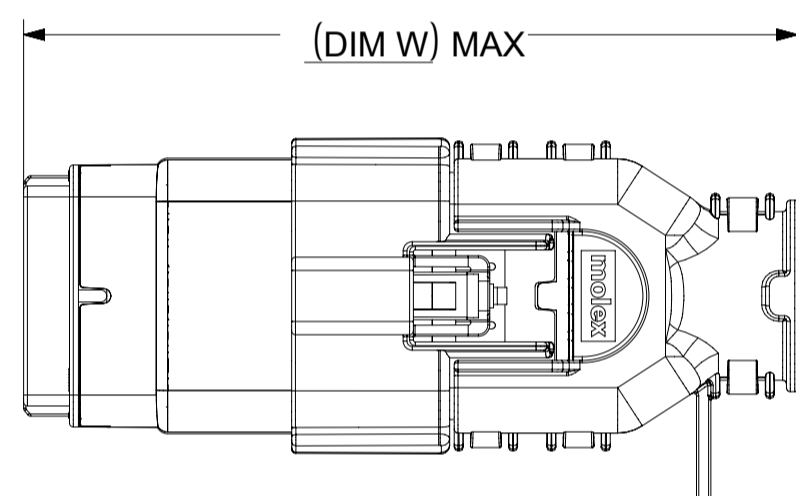
(∅DIM AA)
MIN PASS-THRU
WITH NO CLEARANCE



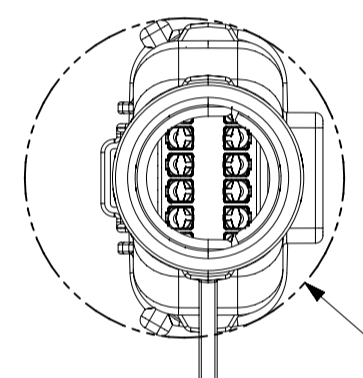
OVERALL MATED SYSTEM WITH BLADE BACKSHELL



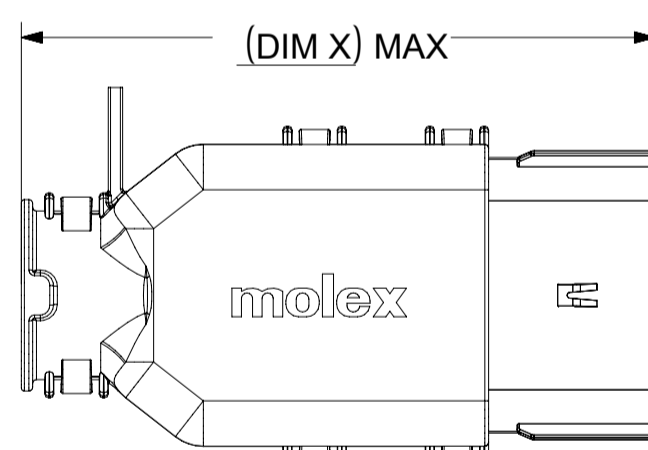
(∅DIM AB)
MIN PASS-THRU
WITH NO CLEARANCE



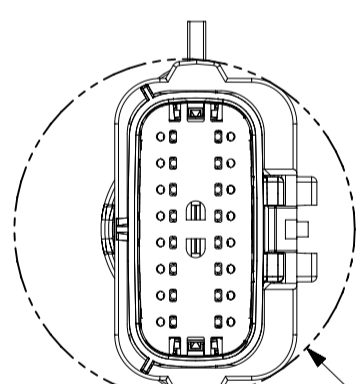
OVERALL MATED SYSTEM WITH RECEPTACLE BACKSHELL



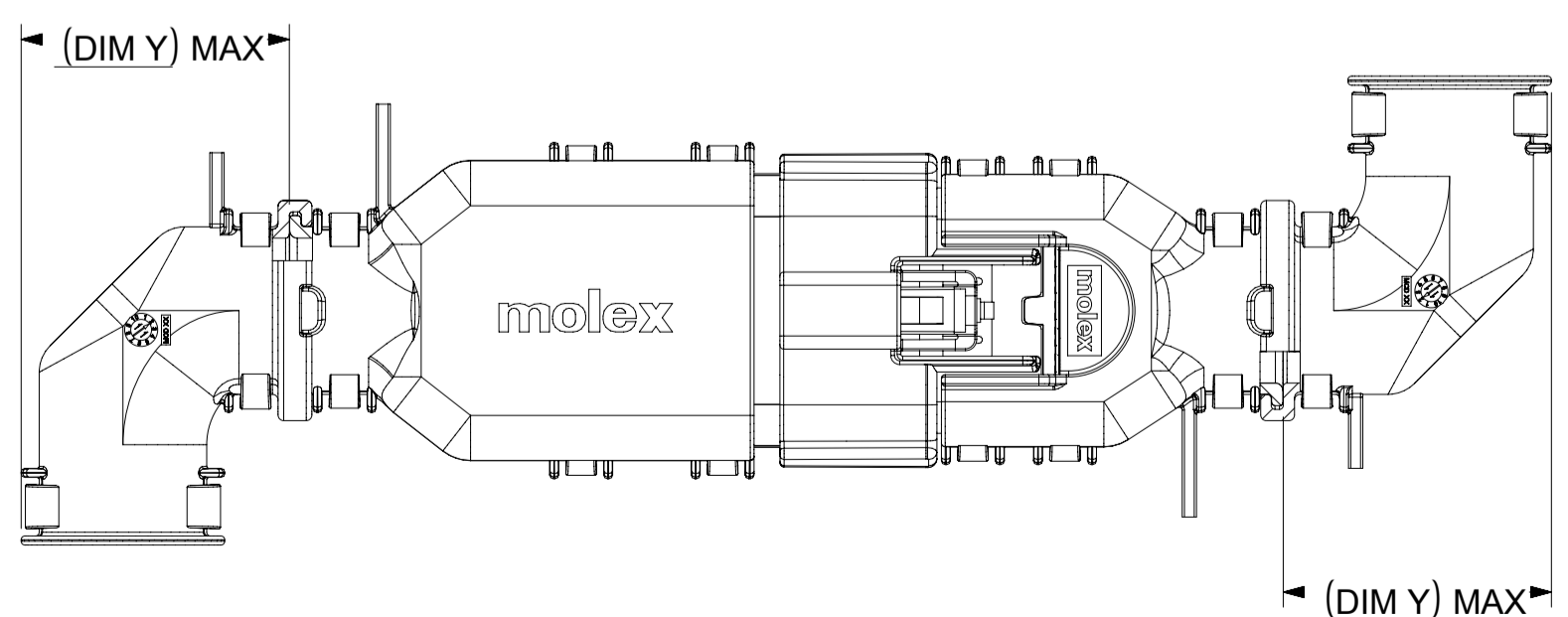
(∅DIM AC)
MIN PASS-THRU
WITH NO CLEARANCE



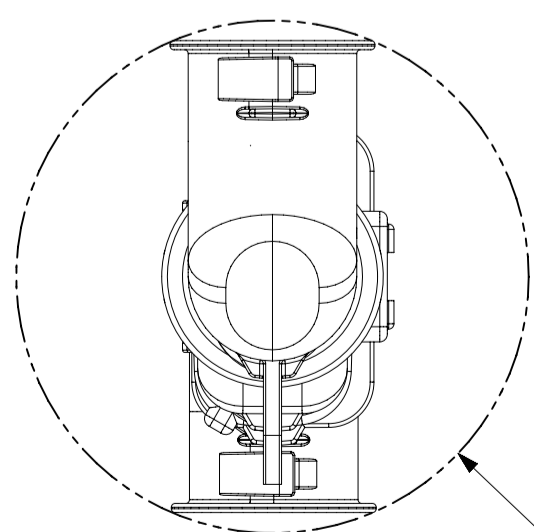
BLADE SEALED ASSEMBLY WITH BLADE BACKSHELL



(∅DIM AD)
MIN PASS-THRU
WITH NO CLEARANCE



ADD THE VALUE OF 'Y' TO THE TOTAL DIMENSION
WHENEVER ADAPTOR IS USED



(∅DIM AE)
MIN PASS-THRU
WITH NO CLEARANCE

SYMBOLS	THIS DRAWING CONTAINS INFORMATION THAT IS PROPRIETARY TO MOLEX ELECTRONIC TECHNOLOGIES, LLC AND SHOULD NOT BE USED WITHOUT WRITTEN PERMISSION		CURRENT REV DESC:							
	DIMENSION UNITS	SCALE								
▽ = 0	mm	1:1	EC NO: 171650 DRWN: PMANJUNATHAC 2018/01/03 CHK'D: MVANSLAMBROU 2018/02/16 APPR: MVANSLAMBROU 2018/02/16 INITIAL REVISION: DRWN: APROFFITT 2014/04/28 APPR: VKOSHY 2014/05/14		DOCUMENT NUMBER		DOC TYPE	DOC PART	REVISION	
▽ = 0	GENERAL TOLERANCES (UNLESS SPECIFIED)				SD-33482-0001		PSD	001	E2	
▽ = 0	ANGULAR TOL ± 1.0°				PRODUCT CUSTOMER DRAWING		SHEET NUMBER			
▽ = 0	4 PLACES ±						11 OF 11			
▽ = 0	3 PLACES ±									
▽ = 0	2 PLACES ± 0.1									
▽ = 0	1 PLACE ± 0.2									
▽ = 0	0 PLACES ±									
▽ = 0	DRAFT WHERE APPLICABLE MUST REMAIN WITHIN DIMENSIONS		THIRD ANGLE PROJECTION	DRAWING	SERIES	MATERIAL NUMBER		CUSTOMER	SHEET NUMBER	
▽ = 0				A1-SIZE	33482	GENERAL MARKET				