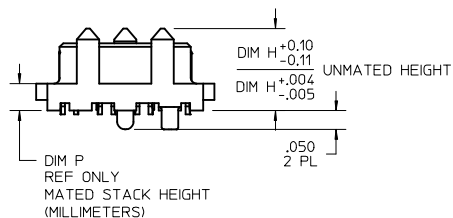
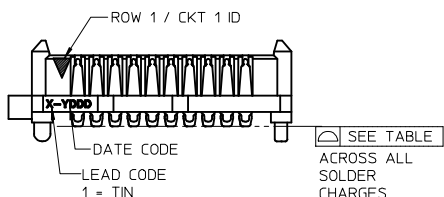
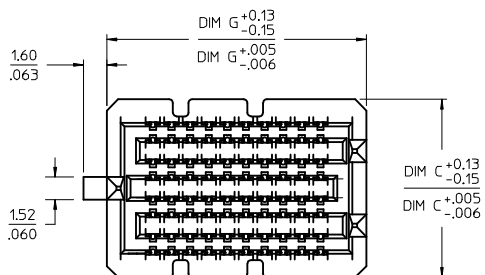
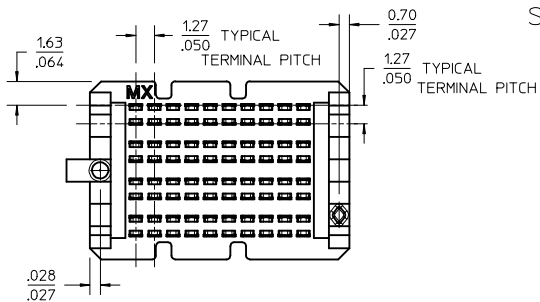


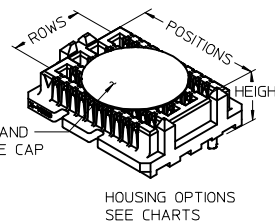
10 9 8 7 6 5 4 3 2 1



8 ROW  
10 POSITION  
SHOWN



SEE SHEET 3  
FOR 6 ROW OPTION



NOTES:

- MATERIAL: HOUSING: LCP, GLASS FILLED, UL94V-0, BLACK  
CONTACTS: COPPER ALLOY  
SOLDER CHARGE: 95.5% TIN, 3.8% SILVER, 0.7 % COPPER
- FINISH: ALL DIM P HEIGHT OPTIONS - SELECT GOLD IN CONTACT AREA; 30 MI MIN DIM P HEIGHT OPTIONS 2.0 & 2.5; SELECT GOLD FLASH IN TAIL, 7 MI MIN DIM P HEIGHT OPTIONS 3.0 THRU 7.0; SELECT TIN IN TAIL, 50 MI MIN ALL DIM P HEIGHT OPTIONS - NICKEL UNDERPLATE OVERALL
- PRODUCT SPECIFICATION: PS-45970-001
- PACKAGING SPECIFICATION: TRAY PACK PK-45971-001
- MATES WITH SEARAY RECEPTACLE ASSY 45971
- APPLICATION SPECIFICATION: AS-45970-001
- COSMETIC SPECIFICATION: PS-45499-002 CLASS B
- PART STATUS: CONTACT MOLEX

| POSITION |           |
|----------|-----------|
| 10       | 0.15/.006 |
| 20       | 0.15/.006 |
| 30       | 0.15/.006 |
| 40       | 0.15/.006 |
| 50       | 0.15/.006 |
| 15       | 0.15/.006 |
| 25       | 0.15/.006 |
| 35       | 0.23/.009 |
| 45       | 0.23/.009 |

| ROWS: 10     |              |             |             |
|--------------|--------------|-------------|-------------|
| DIM R: (REF) | 3.0 MM       | 3.5 MM      |             |
| DIM H:       | 6.60/.260    | 7.11/.280   |             |
| POSITION     | DIM G        | MATERIAL NO | MATERIAL NO |
| 20           | 430.37/1.196 | 45970-3211  | 45970-2311  |
| 30           | 43.07/1.696  | 45970-3211  | 45970-4311  |
| 40           | 55.78/2.196  |             | 45970-4311  |

MATED STACK HEIGHTS  
GIVEN IN MILLIMETERS (MM) FOR REFERENCE ONLY

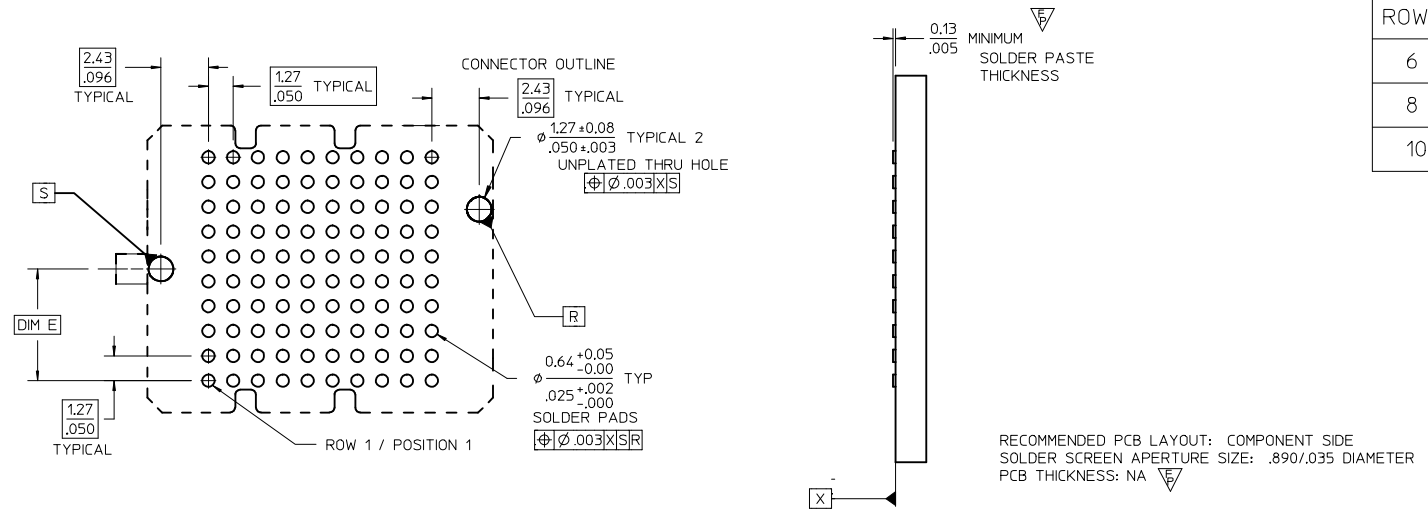
|   |   |  |  |  |  |   |                             |   |  |                     |  |
|---|---|--|--|--|--|---|-----------------------------|---|--|---------------------|--|
| <b>INITIAL RELEASE</b><br>EC NO: UCP2015-1206<br>DRAWN: RWHIPPLE 2014/10/27<br>CHKD: DMORGAN 2014/10/27<br>APPR: SMILLER 2015/01/05 | QUALITY SYMBOLS<br>$\nabla = 0$<br>$\nabla = 0$<br>$\nabla = 0$ | GENERAL TOLERANCES (UNLESS SPECIFIED)  |  | DIMENSION STYLE<br><b>MM/IN</b>        |  | SCALE<br><b>3:1</b>   | DESIGN UNITS<br><b>INCH</b> | THIRD ANGLE PROJECTION  |  |                     |  |
|   |   | 4 PLACES ± --- ± ---<br>3 PLACES ± --- ± .010<br>2 PLACES ± 0.25 ± .015<br>1 PLACE ± 0.38 ± ---<br>0 PLACE ± ± |  | DRAWN BY DATE<br>RWHIPPLE 2014/10/27   |  | TITLE<br><b>SEARAY, PLUG ASSEMBLY<br/>.050 CENTERS<br/>TRAY PACKAGING</b> |                             | MATERIAL NO.<br><b>SEE TABLE</b>  |  | SHEET NO.<br>1 OF 2 |  |
|   |   | ANGULAR ± --- °<br>DRAFT WHERE APPLICABLE<br>MUST REMAIN WITHIN DIMENSIONS                                     |  | APPROVED BY DATE<br>SMILLER 2015/01/05 |  | DOCUMENT NO.<br><b>RSD-45970-002</b>                                      |                             | THIS DRAWING CONTAINS INFORMATION THAT IS PROPRIETARY TO MOLEX INCORPORATED AND SHOULD NOT BE USED WITHOUT WRITTEN PERMISSION |  |                     |  |
|   |   |  |  | SIZE<br><b>B</b>                       |  |   |                             |   |  |                     |  |

9 8 7 6 5 4 3 2 1

10 9 8 7 6 5 4 3 2 1

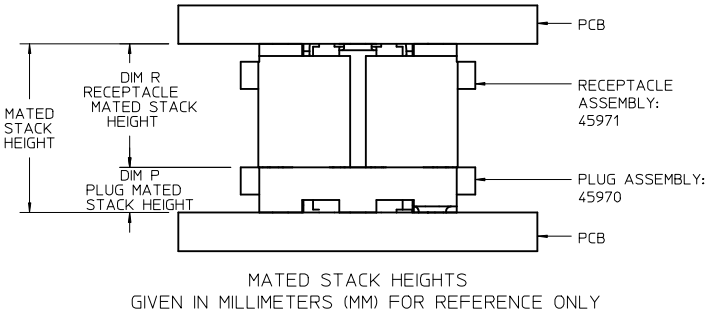
|            |           |           |
|------------|-----------|-----------|
| NO OF ROWS | DIM C     | DIM E     |
| 6          | .960/.378 | .317/.125 |
| 8          | 1.21/.478 | .444/.175 |
| 10         | 1.47/.578 | 5.72/.225 |

10 ROW  
10 POSITION  
SHOWN



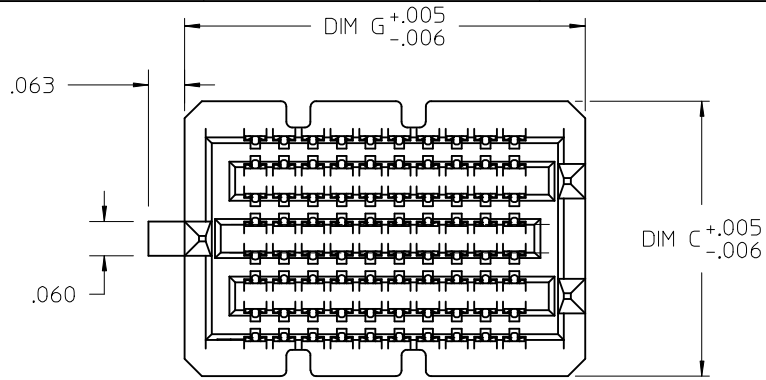
|                            |     | DIM R<br>RECEPTACLE STACK HEIGHT |      |      |      |      |     |
|----------------------------|-----|----------------------------------|------|------|------|------|-----|
|                            |     | MM                               | 5.0  | 6.0  | 6.5  | 7.5  | 8.0 |
| DIM P<br>PLUG STACK HEIGHT | 2.0 | 7.0                              | 8.0  | 8.5  | 9.5  | 10.0 |     |
|                            | 3.0 | 8.0                              | 9.0  | 9.5  | 10.5 | 11.0 |     |
|                            | 3.5 | 8.5                              | 9.5  | 10.0 | 11.0 | 11.5 |     |
|                            | 2.5 | 7.5                              | 8.5  | 9.0  | 10.0 | 10.5 |     |
|                            | 4.5 | 9.5                              | 10.5 | 11.0 | 12.0 | 12.5 |     |
|                            | 5.0 | 10.0                             | 11.0 | 11.5 | 12.5 | 13.0 |     |
|                            | 7.0 | 12.0                             | 13.0 | 13.5 | 14.5 | 15.0 |     |
|                            | 9.0 | 14.0                             | 15.0 | 15.5 | 16.5 | 17.0 |     |

MATED STACK HEIGHTS  
GIVEN IN MILLIMETERS (MM) FOR REFERENCE ONLY

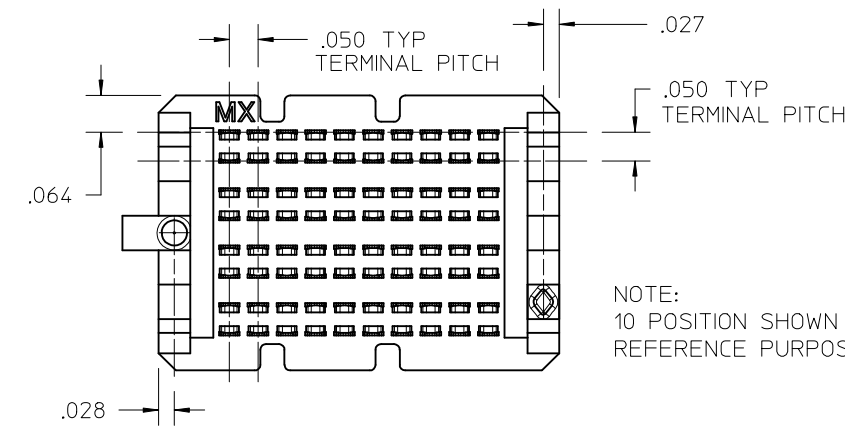
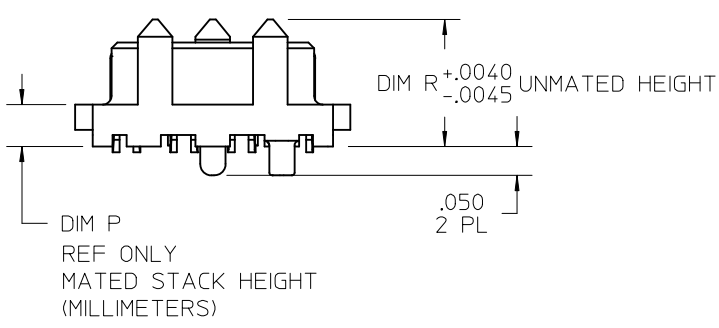
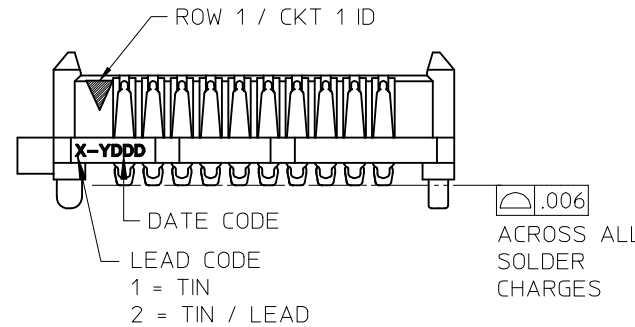


|  |                                      |                                       |  |   |      |               |              |   |  |  |  |
|--|--------------------------------------|---------------------------------------|--|---|------|---------------|--------------|---|--|--|--|
| SEE SHEET 1<br>EC NO: UCP2015-1206<br>DRAWN: RWHIPPLE 2014/10/27<br>CHKD: DMORGAN 2014/10/27<br>APPR: SMILLER 2015/01/05 | QUALITY SYMBOLS<br>F/0<br>F/2<br>F/0 | GENERAL TOLERANCES (UNLESS SPECIFIED) |  | DIMENSION STYLE   |      | SCALE         | DESIGN UNITS | THIRD ANGLE PROJECTION                                  |  |  |  |
|  |                                      |                                       |  | MM/IN   |      | 4:1           | INCH         |   |  |  |  |
|  |                                      |                                       |  | mm  | INCH | DRAWN BY      | DATE         | TITLE   |  |  |  |
|  |                                      |                                       |  |   |      | RWHIPPLE      | 2014/10/27   | SEARAY, PLUG ASSEMBLY<br>.050 CENTERS<br>TRAY PACKAGING |  |  |  |
|  |                                      |                                       |  | CHECKED BY  |      | DATE          |              |   |  |  |  |
|  |                                      |                                       |  | DMORGAN   |      | 2014/10/27    |              |   |  |  |  |
|  |                                      |                                       |  | APPROVED BY   |      | DATE          |              |   |  |  |  |
|  |                                      |                                       |  | SMILLER   |      | 2015/01/05    |              |   |  |  |  |
|  |                                      |                                       |  | MATERIAL NO.  |      | DOCUMENT NO.  |              | SHEET NO.   |  |  |  |
|  |                                      |                                       |  | SEE TABLE SHT 1   |      | RSD-45970-002 |              | 2 OF 2  |  |  |  |
|  |                                      |                                       |  | THIS DRAWING CONTAINS INFORMATION THAT IS PROPRIETARY TO MOLEX INCORPORATED AND SHOULD NOT BE USED WITHOUT WRITTEN PERMISSION |      |               |              |   |  |  |  |

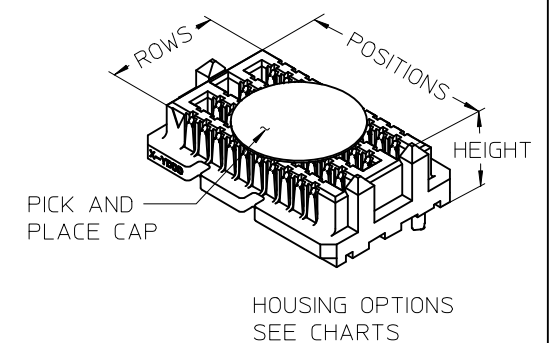
9 8 7 6 5 4 3 2 1



- NOTES:
- MATERIAL: HOUSING: LCP, UL94V-0, BLACK  
CONTACTS: COPPER ALLOY  
SOLDER CHARGE: TIN, 95.5/ Ag 3.8/ Cu 0.7
  - FINISH: SELECT GOLD IN CONTACT AREA: 30 MICROINCHES MINIMUM  
SELECT GOLD FLASH IN TAIL, 7 MICROINCHES MINIMUM OVER NICKEL
  - PRODUCT SPECIFICATION: PS-45970-001
  - PACKAGING SPECIFICATION: TAPE AND REEL PACK. REFERENCE RPK-45971-009
  - MATES WITH SEARAY RECEPTACLE ASSY 45971
  - APPLICATION SPECIFICATION: AS-45970-001
  - COSMETIC SPECIFICATION: PS-45499-002 CLASS B
  - PART STATUS: CONTACT MOLEX

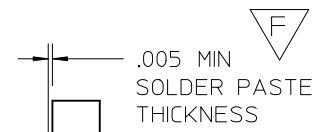
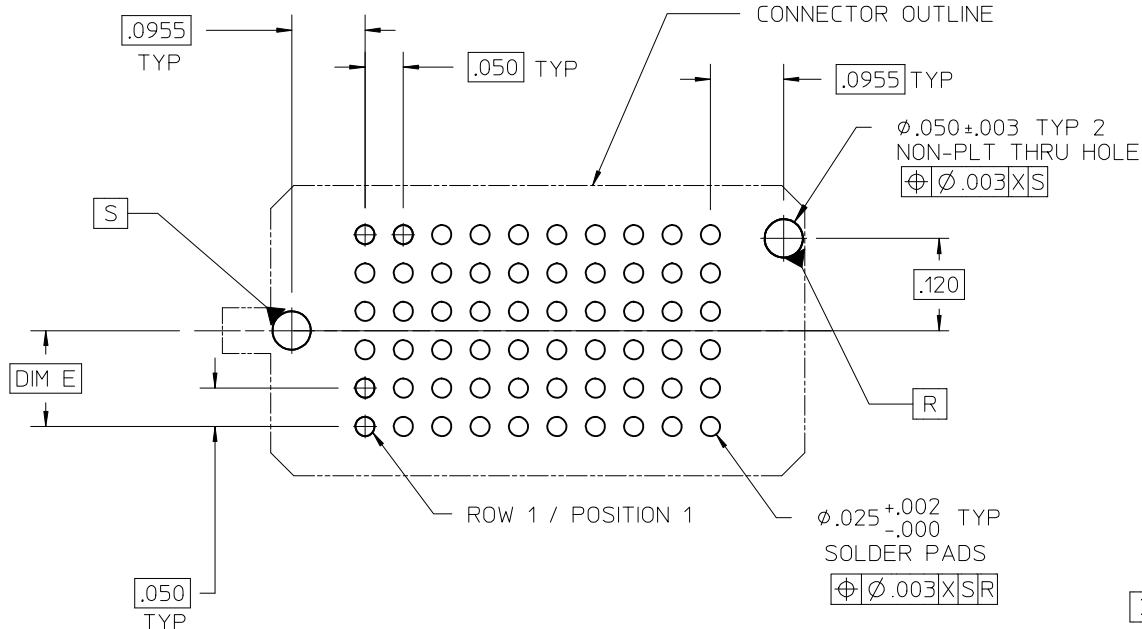


|            |        |
|------------|--------|
| NO OF ROWS | 8      |
| POSITIONS  | 40     |
| DIM C      | .478   |
| DIM E      | .175   |
| DIM G      | 2.196  |
| DIM P      | 2.0 MM |
| DIM R      | .221   |



NOTE:  
10 POSITION SHOWN FOR  
REFERENCE PURPOSES ONLY.

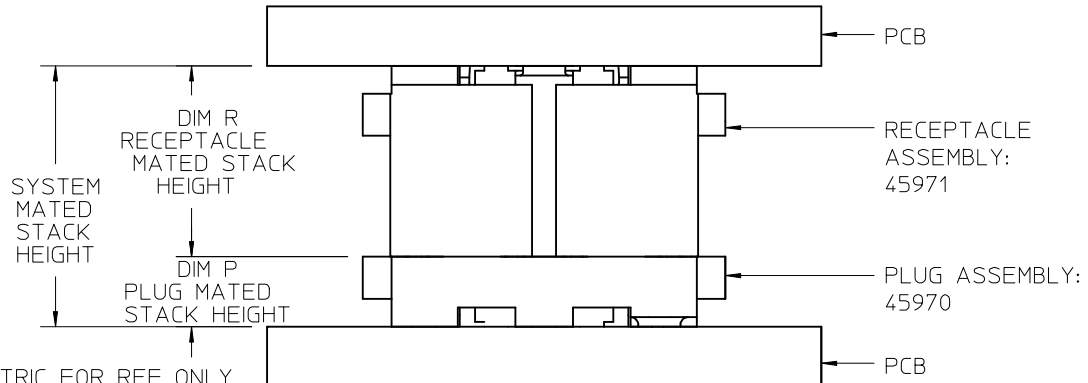
|  |                     |                                       |    |                              |                        |  |  |                        |                     |  |
|--|---------------------|---------------------------------------|----|------------------------------|------------------------|--|--|------------------------|---------------------|--|
| REV. NOTE 4 TO REF. RPK-45970-009<br>EC NO: UCP2015-3314<br>DRWN: SVANG01 2015/08/12<br>CHKD: BBARKER 2015/08/12<br>APPR: SMILLER 2015/08/14 | QUALITY SYMBOLS<br> | GENERAL TOLERANCES (UNLESS SPECIFIED) |    | DIMENSION STYLE<br>INCH ONLY |                        | SCALE<br>3:1   | DESIGN UNITS<br>INCH   | THIRD ANGLE PROJECTION |                     |  |
|  |                     |                                       | mm | INCH                         | DRAWN BY<br>RWHIPPLE   | DATE<br>2014/04/18   | TITLE<br>SEARAY<br>PLUG ASSEMBLY<br>.050 CENTERS<br><b>molex</b> |                        |                     |  |
|  |                     |                                       |    |                              | CHECKED BY<br>BBARKER  | DATE<br>2014/04/18   |  |                        |                     |  |
|  |                     |                                       |    |                              | APPROVED BY<br>SMILLER | DATE<br>2014/05/22   | DOCUMENT NO.<br>RSD-45970-4130                                   |                        | SHEET NO.<br>1 OF 2 |  |
|  |                     | ANGULAR ±---°                         |    | MATERIAL NO.<br>45970-4130   |                        |  |  |                        |                     |  |
| DRAFT WHERE APPLICABLE<br>MUST REMAIN<br>WITHIN DIMENSIONS   |                     |                                       |    | SIZE<br>A                    |                        | THIS DRAWING CONTAINS INFORMATION THAT IS PROPRIETARY TO MOLEX<br>INCORPORATED AND SHOULD NOT BE USED WITHOUT WRITTEN PERMISSION |  |                        |                     |  |



RECOMMENDED PCB LAYOUT: COMPONENT SIDE  
 SOLDER SCREEN APERTURE SIZE: .035  $\nabla F$   
 PCB THICKNESS: NA

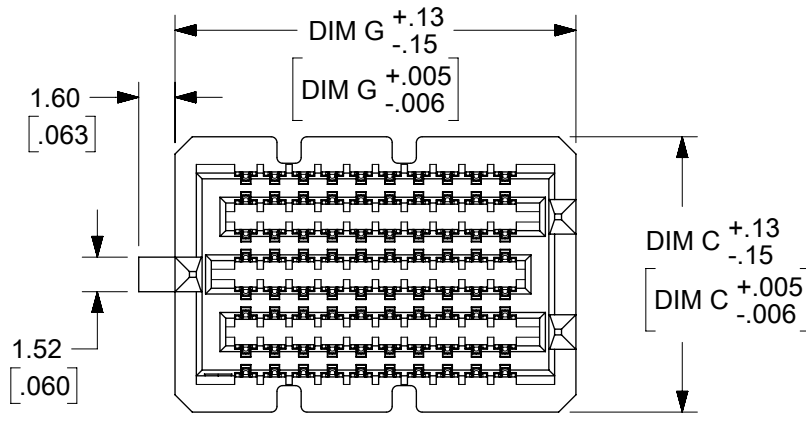
|                            |     | DIM R<br>RECEPTACLE STACK HEIGHT |     |     |     |      |     |
|----------------------------|-----|----------------------------------|-----|-----|-----|------|-----|
|                            |     | MM                               | 5.0 | 6.0 | 6.5 | 7.5  | 8.0 |
| DIM P<br>PLUG STACK HEIGHT | 2.0 | 7.0                              | 8.0 | 8.5 | 9.5 | 10.0 |     |

MATED STACK HEIGHTS  
(MILLIMETERS) REF

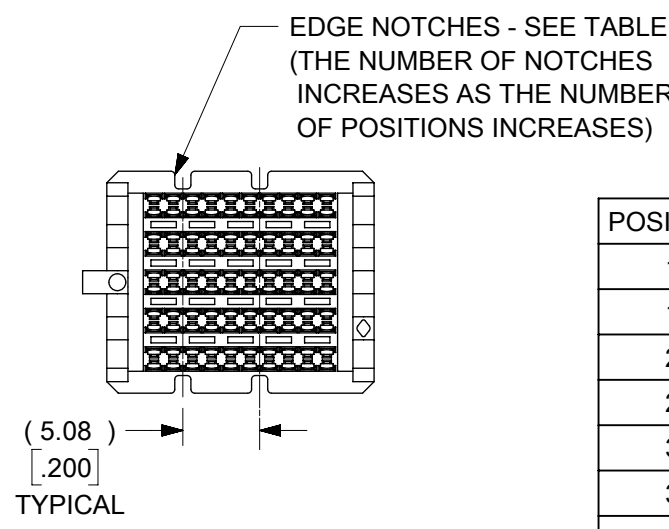
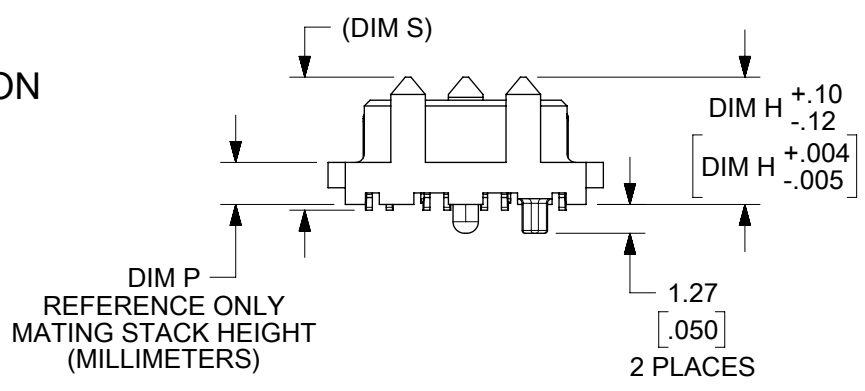
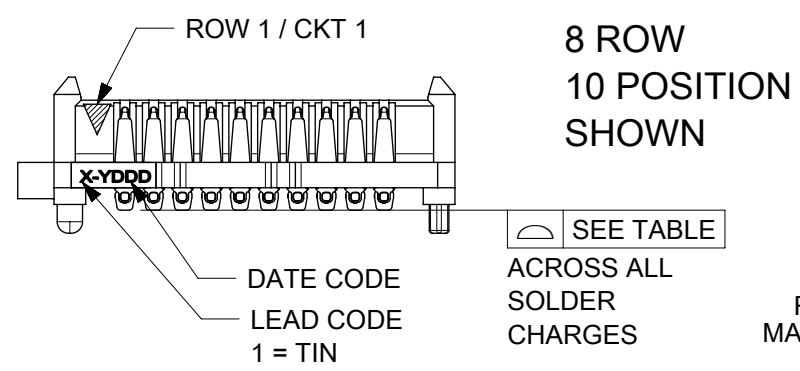


STACK HEIGHTS GIVEN IN METRIC FOR REF ONLY

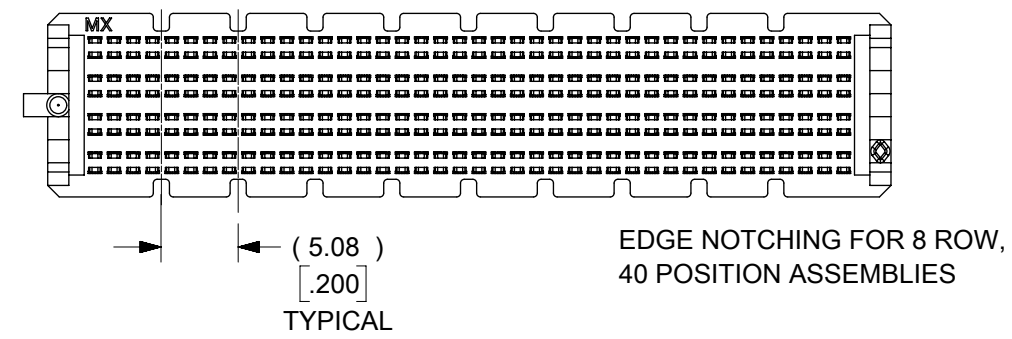
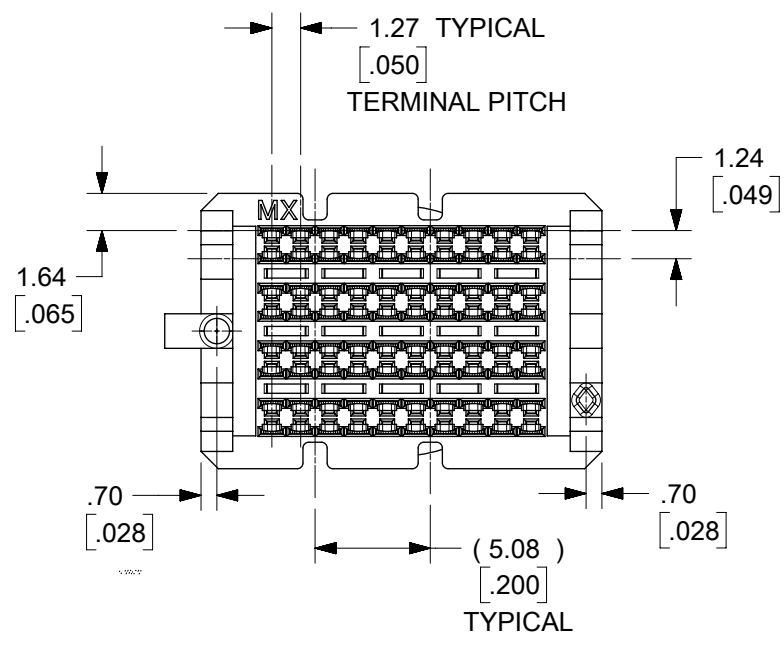
|   |                    |                 |  |                    |                              |                    |  |                      |                        |  |
|---|--------------------|-----------------|--|--------------------|------------------------------|--------------------|--|----------------------|------------------------|--|
| SEE SHEET 1<br>EC NO: UCP2015-3314<br>DRWN: SVANG01 2015/08/12<br>CH'KD: BBARKER 2015/08/12<br>APPR: SMILLER 2015/08/14 | DESCRIPTION<br>REV | QUALITY SYMBOLS | GENERAL TOLERANCES (UNLESS SPECIFIED)                      |                    | DIMENSION STYLE<br>INCH ONLY |                    | SCALE<br>4:1   | DESIGN UNITS<br>INCH | THIRD ANGLE PROJECTION |  |
|   |                    | $\nabla F = 0$  | mm   | INCH               | DRAWN BY<br>RWHIPPLE         | DATE<br>2014/04/18 | SEARAY<br>PLUG ASSEMBLY<br>.050 CENTERS<br><b>molex</b><br>DOCUMENT NO. RSD-45970-4130<br>SHEET NO. 2 OF 2 |                      |                        |  |
|   |                    | $\nabla E = 0$  | 4 PLACES $\pm$ ---   | $\pm$ ---          | CHECKED BY<br>BBARKER        | DATE<br>2014/04/18 |  |                      |                        |  |
|   |                    | $\nabla G = 0$  | 3 PLACES $\pm$ ---   | $\pm .010$         | APPROVED BY<br>SMILLER       | DATE<br>2014/05/22 |  |                      |                        |  |
|   |                    | $\nabla H = 0$  | 2 PLACES $\pm$ ---   | $\pm .015$         | MATERIAL NO.<br>SEE SHEET 1  |                    |  |                      |                        |  |
|   | 1 PLACE $\pm$ ---  | $\pm$ ---       | DRAFT WHERE APPLICABLE<br>MUST REMAIN<br>WITHIN DIMENSIONS |                    |                              |                    |  |                      |                        |  |
|   |                    | 0 PLACE $\pm$   | $\pm$  | ANGULAR $\pm$ ---° |                              |                    |  |                      |                        |  |



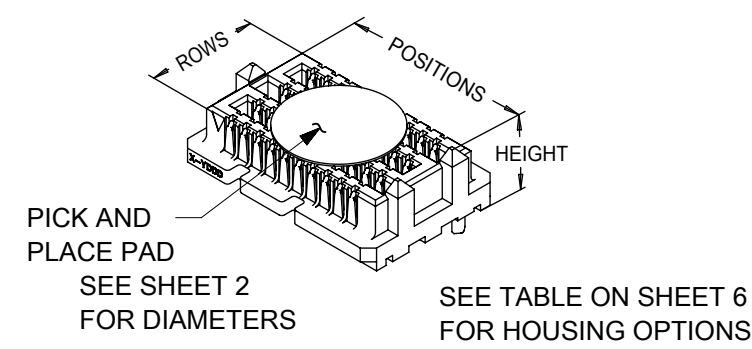
- NOTES:
- MATERIAL: HOUSING: GLASS FILLED LCP (LIQUID CRYSTAL POLYMER), UL94V-0, BLACK  
CONTACTS: COPPER ALLOY  
SOLDER CHARGE: 95.5% TIN, 3.8% SILVER, 0.7% COPPER
  - FINISH: ALL DIM P HEIGHT OPTIONS - SELECT GOLD IN CONTACT AREA: 30 MICROINCH MINIMUM  
DIM P HEIGHT OPTIONS 2.0 & 2.5: SELECT GOLD FLASH ON TAIL, 7 MICROINCH MINIMUM  
DIM P HEIGHT OPTIONS 3.0 THRU 7.0: SELECT TIN ON TAIL, 50 MICROINCH MINIMUM  
ALL OPTIONS - NICKEL UNDERPLATE OVERALL ON TAIL
  - PRODUCT SPECIFICATION: PS-45970-001
  - PACKAGING SPECIFICATION: PK-45970-002 (TAPE AND REEL)
  - MATES WITH SEARAY RECEPTACLE ASSEMBLY SERIES 45971
  - APPLICATION SPECIFICATION; AS-45970-001
  - COSMETIC SPECIFICATION: PS-45499-002 CLASS B
  - PART STATUS: CONTACT MOLEX



| POSITIONS | TOTAL NUMBER OF EDGE NOTCHES |              | NOTCH     |
|-----------|------------------------------|--------------|-----------|
|           | 8 ROW                        | 6 AND 10 ROW |           |
| 10        | 4                            | 4            | 0.15/.006 |
| 15        | 6                            | 6            |           |
| 20        | 10                           | 10           |           |
| 25        | 12                           | 12           |           |
| 30        | 14                           | 14           |           |
| 35        | 16                           | 16           |           |
| 40        | 18                           | 20           | 0.23/.009 |
| 45        | 22                           | 22           |           |
| 50        | 24                           | 24           |           |

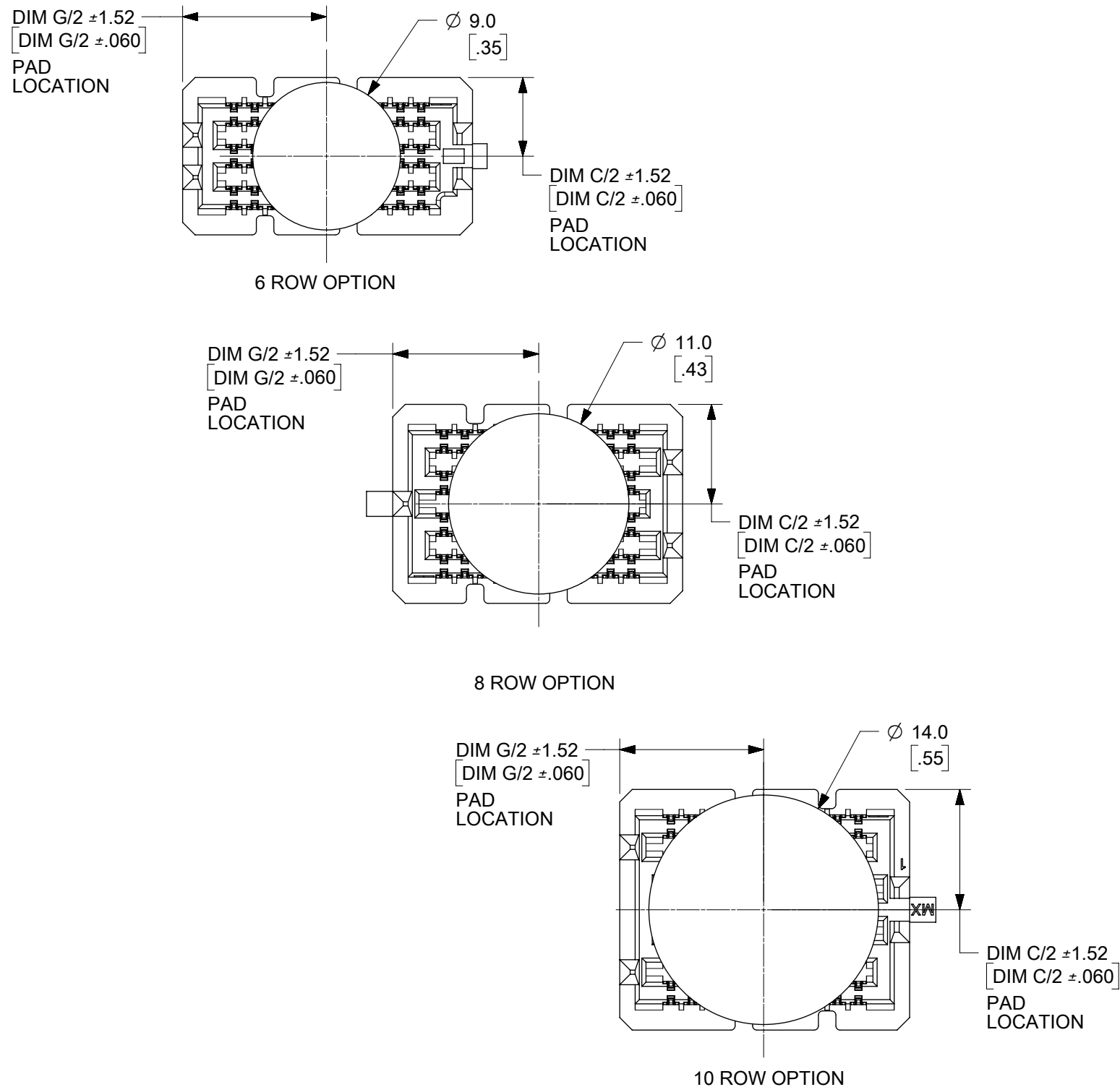


EDGE NOTCHING FOR 10 ROW ASSEMBLIES (10 POSITION SHOWN)

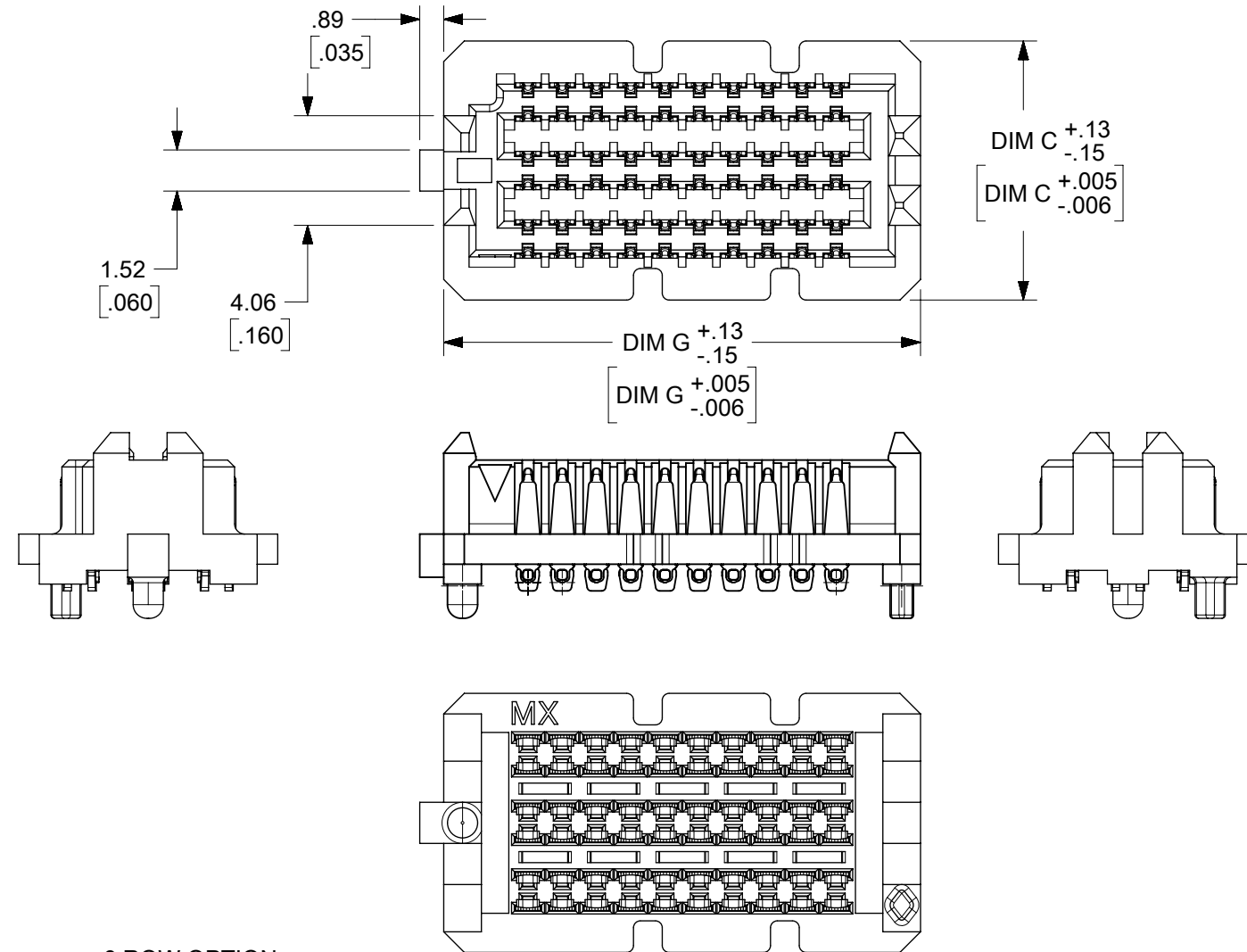


SEE OTHER EDGE NOTCHING VIEWS  
SEE SHEET 3  
FOR 6 ROW OPTION

|         |   |                        |   |
|---------|---|------------------------|---|
| SYMBOLS | THIS DRAWING CONTAINS INFORMATION THAT IS PROPRIETARY TO MOLEX ELECTRONIC TECHNOLOGIES, LLC AND SHOULD NOT BE USED WITHOUT WRITTEN PERMISSION |                        |   |
|         | DIMENSION UNITS   | SCALE                  | CURRENT REV DESC: SEE REV TABLE SHT 7   |
| ▽ = 0   | mm  | 4:1                    | <b>molex</b><br>SEARAY<br>PLUG ASSEMBLY 1.27/.050 CENTERS<br>PRODUCT CUSTOMER DRAWING                     |
| ▽ = 0   | GENERAL TOLERANCES (UNLESS SPECIFIED)   |                        |   |
| ▽ = 0   | ANGULAR TOL   | ± °                    |   |
| ▽ = 0   | 4 PLACES  | ±                      |   |
| ▽ = 0   | 3 PLACES  | ±                      |   |
| ▽ = 0   | 2 PLACES  | ± 0.25                 | EC NO: 617843<br>DRWN: PMAHADEVAPPA 2019/05/24<br>CHK'D: DMCGOWAN 2019/05/24<br>APPR: DMCGOWAN 2019/05/24 |
| ▽ = 0   | 1 PLACE   | ± 0.38                 | INITIAL REVISION:<br>DRWN: TGREGORI 2006/01/25<br>APPR: JCOMERCI 2006/01/30                               |
| ▽ = 0   | 0 PLACES  | ±                      | DOCUMENT NUMBER: SD-45970-001<br>DOC TYPE: PSD<br>DOC PART: 001<br>REVISION: T6                           |
| ▽ = 0   | DRAFT WHERE APPLICABLE MUST REMAIN WITHIN DIMENSIONS  | THIRD ANGLE PROJECTION | MATERIAL NUMBER: SEE CHART<br>CUSTOMER: GENERAL MARKET<br>SHEET NUMBER: 1 OF 7                            |
| ▽ = 0   |   | B-SIZE                 | 45970   |

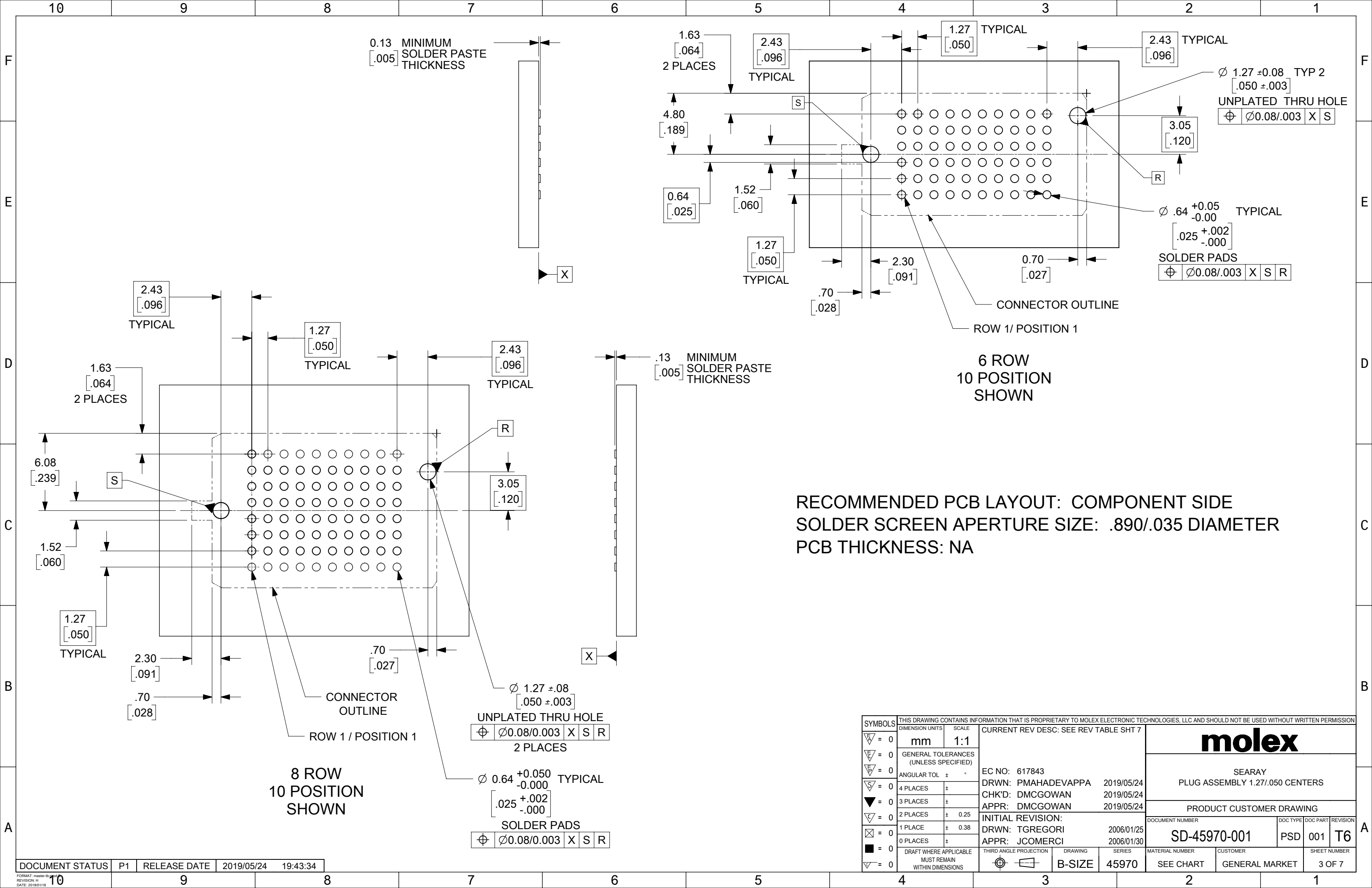


PICK AND PLACE  
PAD DIAMETERS  
10 POSITION VERSIONS SHOWN

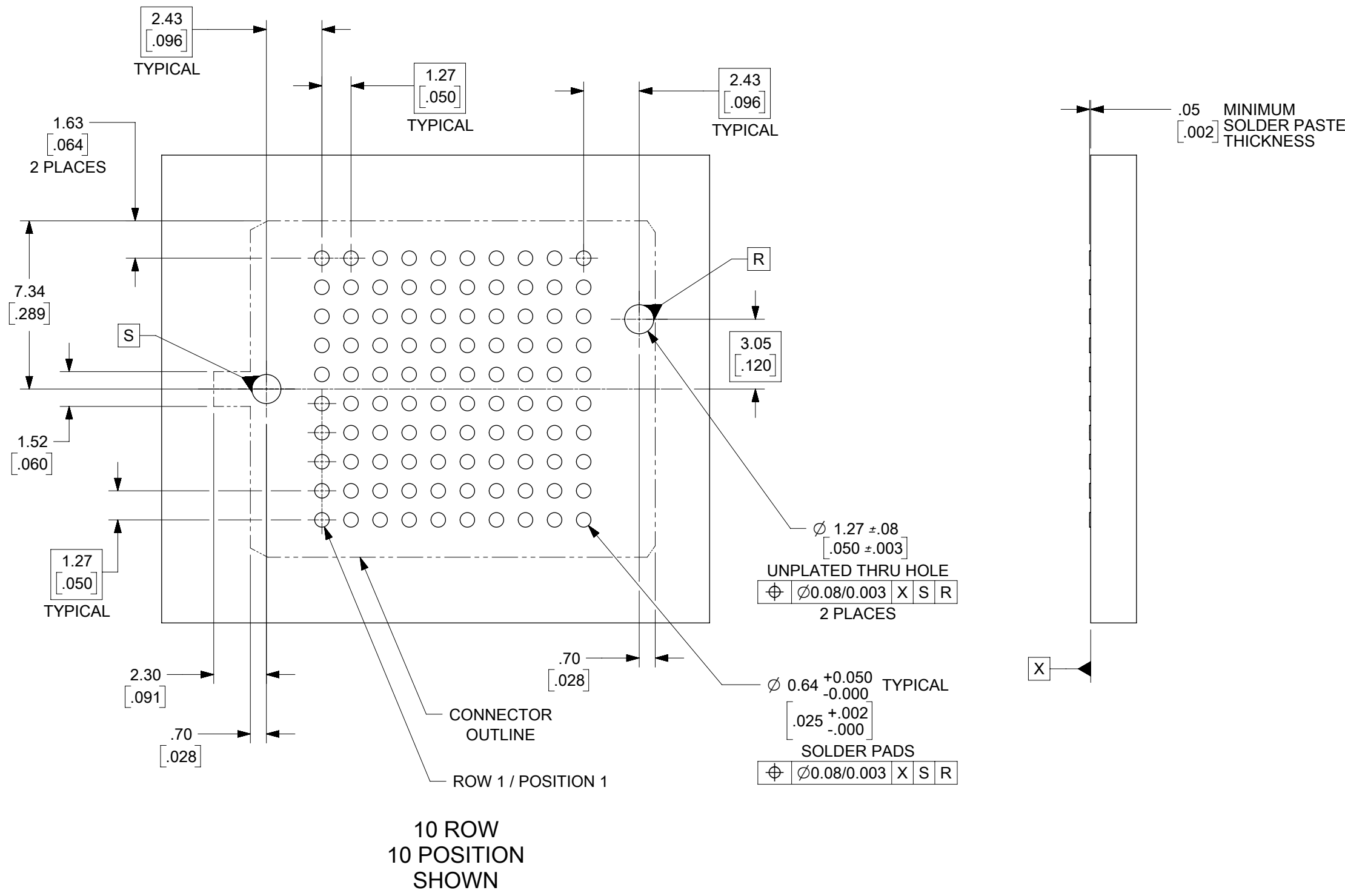


6 ROW OPTION  
10 POSITION VERSION  
SHOWN FOR REFERENCE  
DIMENSIONS SHOWN ON  
OTHER SHEETS APPLY TO  
THE 6 ROW OPTION ALSO  
(EXCEPT AS OTHERWISE  
NOTED ON THIS SHEET)

|   |  |  |  |         |  |   |  |                 |  |                |  |
|---|--|--|--|---------|--|---|--|-----------------|--|----------------|--|
| THIS DRAWING CONTAINS INFORMATION THAT IS PROPRIETARY TO MOLEX ELECTRONIC TECHNOLOGIES, LLC AND SHOULD NOT BE USED WITHOUT WRITTEN PERMISSION |  |  |  |         |  |   |  |                 |  |                |  |
| SYMBOLS   |  | DIMENSION UNITS                                      |  | SCALE   |  | CURRENT REV DESC: SEE REV TABLE SHT 7   |  |                 |  |                |  |
| ▽ = 0   |  | mm   |  | 2:1     |  | <b>molex</b><br>SEARAY<br>PLUG ASSEMBLY 1.27/.050 CENTERS<br>PRODUCT CUSTOMER DRAWING<br>DOCUMENT NUMBER: SD-45970-001   DOC TYPE: PSD   DOC PART: 001   REVISION: T6<br>MATERIAL NUMBER: SEE CHART   CUSTOMER: GENERAL MARKET   SHEET NUMBER: 2 OF 7 |  |                 |  |                |  |
| ▽ = 0   |  | GENERAL TOLERANCES (UNLESS SPECIFIED)                |  |         |  |   |  |                 |  |                |  |
| ▽ = 0   |  | ANGULAR TOL ± °                                      |  |         |  |   |  |                 |  |                |  |
| ▽ = 0   |  | 4 PLACES ±   |  |         |  |   |  |                 |  |                |  |
| ▽ = 0   |  | 3 PLACES ±   |  |         |  |   |  |                 |  |                |  |
| ▽ = 0   |  | 2 PLACES ± 0.25                                      |  |         |  | EC NO: 617843   |  |                 |  |                |  |
| ▽ = 0   |  | 1 PLACE ± 0.38                                       |  |         |  | DRWN: PMAHADEVAPPA 2019/05/24   |  |                 |  |                |  |
| ▽ = 0   |  | 0 PLACES ±   |  |         |  | CHK'D: DMCGOWAN 2019/05/24  |  |                 |  |                |  |
| ■ = 0   |  | DRAFT WHERE APPLICABLE MUST REMAIN WITHIN DIMENSIONS |  |         |  | APPR: DMCGOWAN 2019/05/24   |  |                 |  |                |  |
|   |  | THIRD ANGLE PROJECTION                               |  | DRAWING |  | SERIES  |  | MATERIAL NUMBER |  | CUSTOMER       |  |
|   |  |  |  | B-SIZE  |  | 45970   |  | SEE CHART       |  | GENERAL MARKET |  |



|   |  |  |       |   |  |          |  |        |  |   |  |                |          |              |
|---|--|--|-------|---|--|----------|--|--------|--|---|--|----------------|----------|--------------|
| THIS DRAWING CONTAINS INFORMATION THAT IS PROPRIETARY TO MOLEX ELECTRONIC TECHNOLOGIES, LLC AND SHOULD NOT BE USED WITHOUT WRITTEN PERMISSION |  |  |       |   |  |          |  |        |  |   |  |                |          |              |
| SYMBOLS   |  | DIMENSION UNITS                                      | SCALE | CURRENT REV DESC: SEE REV TABLE SHT 7                                       |  |          |  |        |  |   |  |                |          |              |
| ▽ = 0   |  | mm   | 1:1   |   |  |          |  |        |  |   |  |                |          |              |
| ▽ = 0   |  | GENERAL TOLERANCES (UNLESS SPECIFIED)                |       |   |  |          |  |        |  | EC NO: 617843<br>DRWN: PMAHADEVAPPA 2019/05/24<br>CHK'D: DMCGOWAN 2019/05/24<br>APPR: DMCGOWAN 2019/05/24 |  |                |          |              |
| ▽ = 0   |  | ANGULAR TOL ± °                                      |       |   |  |          |  |        |  |   |  |                |          |              |
| ▽ = 0   |  | 4 PLACES ±   |       | INITIAL REVISION:<br>DRWN: TGREGORI 2006/01/25<br>APPR: JCOMERCI 2006/01/30 |  |          |  |        |  | DOCUMENT NUMBER   |  | DOC TYPE       | DOC PART | REVISION     |
| ▽ = 0   |  | 3 PLACES ±   |       |   |  |          |  |        |  | SD-45970-001  |  | PSD            | 001      | T6           |
| ▽ = 0   |  | 2 PLACES ± 0.25                                      |       |   |  |          |  |        |  | SEE CHART   |  | GENERAL MARKET |          | SHEET NUMBER |
| ▽ = 0   |  | 1 PLACE ± 0.38                                       |       | MATERIAL NUMBER   |  | CUSTOMER |  | 3 OF 7 |  |   |  |                |          |              |
| ▽ = 0   |  | 0 PLACES ±   |       | THIRD ANGLE PROJECTION  |  | DRAWING  |  | SERIES |  |   |  |                |          |              |
| ▽ = 0   |  | DRAFT WHERE APPLICABLE MUST REMAIN WITHIN DIMENSIONS |       | B-SIZE  |  | 45970    |  |        |  |   |  |                |          |              |

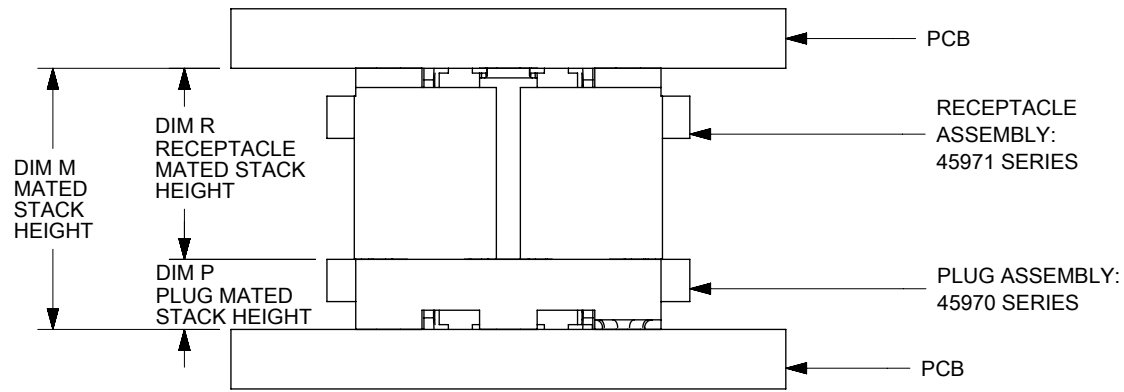


10 ROW  
10 POSITION  
SHOWN

RECOMMENDED PCB LAYOUT: COMPONENT SIDE  
SOLDER SCREEN APERTURE SIZE: .890/.035 DIAMETER  
PCB THICKNESS: NA

|   |  |                 |  |  |  |                                       |  |              |          |
|---|--|-----------------|--|--|--|---------------------------------------|--|--------------|----------|
| THIS DRAWING CONTAINS INFORMATION THAT IS PROPRIETARY TO MOLEX ELECTRONIC TECHNOLOGIES, LLC AND SHOULD NOT BE USED WITHOUT WRITTEN PERMISSION |  |                 |  |  |  |                                       |  |              |          |
| SYMBOLS   |  | DIMENSION UNITS |  | SCALE  |  | CURRENT REV DESC: SEE REV TABLE SHT 7 |  |              |          |
| ▽ = 0   | mm   | 5:1             |  | EC NO: 617843<br>DRWN: PMAHADEVAPPA 2019/05/24<br>CHK'D: DMCGOWAN 2019/05/24<br>APPR: DMCGOWAN 2019/05/24<br>INITIAL REVISION:<br>DRWN: TGREGORI 2006/01/25<br>APPR: JCOMERCI 2006/01/30 |  |                                       |  |              |          |
| ▽ = 0   | GENERAL TOLERANCES (UNLESS SPECIFIED)                |                 |  |  |  |                                       |  |              |          |
| ▽ = 0   | ANGULAR TOL ± °                                      |                 |  |  |  |                                       |  |              |          |
| ▽ = 0   | 4 PLACES ±   |                 |  |  |  |                                       |  |              |          |
| ▽ = 0   | 3 PLACES ±   |                 |  |  |  |                                       |  |              |          |
| ▽ = 0   | 2 PLACES ± 0.25                                      |                 |  | PRODUCT CUSTOMER DRAWING   |  |                                       |  |              |          |
| ▽ = 0   | 1 PLACE ± 0.38                                       |                 |  | DOCUMENT NUMBER  |  | DOC TYPE                              |  | DOC PART     | REVISION |
| ▽ = 0   | 0 PLACES ±   |                 |  | SD-45970-001   |  | PSD                                   |  | 001          | T6       |
| ▽ = 0   | DRAFT WHERE APPLICABLE MUST REMAIN WITHIN DIMENSIONS |                 |  | THIRD ANGLE PROJECTION   |  | DRAWING                               |  | SHEET NUMBER |          |
|   |  |                 |  | B-SIZE   |  | 45970                                 |  | 4 OF 7       |          |





STACK HEIGHTS  
GIVEN IN MILLIMETERS (MM) FOR REFERENCE ONLY

ROWS: 6 DIMENSION C = 9.60/.378

| DIM P:   | 2.0 mm      | 3.0 mm      | 3.5 mm      | 2.5 mm      | 4.5 mm      | 5.0 mm      | 7.0 mm      |
|----------|-------------|-------------|-------------|-------------|-------------|-------------|-------------|
| DIM H:   | 5.61/.221   | 6.60/.260   | 7.11/.280   | 6.12/.241   | 8.10/.319   | 8.61/.339   | 10.61/.418  |
| DIM S:   | 5.86/.231   | 6.85/.270   | 7.36/.290   | 6.37/.251   | 8.35/.329   | 8.86/.349   | 10.86/.428  |
| POSITION | DIM G       | MATERIAL NO | MATERIAL NO | MATERIAL NO | MATERIAL NO | MATERIAL NO | MATERIAL NO |
| 10       | 17.69/0.698 | 45970-1165  | 45970-1265  | 45970-1365  | 45970-1465  | 45970-1565  | 45970-1765  |
| 20       | 30.39/1.198 | 45970-2165  | 45970-2265  | 45970-2365  | 45970-2465  | 45970-2565  | 45970-2765  |
| 30       | 43.09/1.698 | 45970-3165  | 45970-3265  | 45970-3365  | 45970-3465  | 45970-3565  | 45970-3765  |
| 40       | 55.79/2.198 | 45970-4165  | 45970-4265  | 45970-4365  | 45970-4465  | 45970-4565  | 45970-4765  |
| 50       | 68.49/2.698 | 45970-5165  | 45970-5265  | 45970-5365  | 45970-5465  | 45970-5565  | 45970-5765  |
| 15       | 24.04/0.948 | 45970-6165  | 45970-6265  | 45970-6365  | 45970-6465  | 45970-6565  | 45970-6765  |
| 25       | 36.74/1.448 | 45970-7165  | 45970-7265  | 45970-7365  | 45970-7465  | 45970-7565  | 45970-7765  |
| 35       | 49.44/1.948 | 45970-8165  | 45970-8265  | 45970-8365  | 45970-8465  | 45970-8565  | 45970-8765  |
| 45       | 62.14/2.448 | 45970-9165  | 45970-9265  | 45970-9365  | 45970-9465  | 45970-9565  | 45970-9765  |

MATING STACK HEIGHTS (DIMENSION P)  
GIVEN IN MILLIMETERS (mm) FOR REFERENCE ONLY

|                         |     | DIM R RECEPTACLE STACK HEIGHT |           |                   |           |                   |           |                   |           |                   |           |
|-------------------------|-----|-------------------------------|-----------|-------------------|-----------|-------------------|-----------|-------------------|-----------|-------------------|-----------|
|                         |     | 5.0                           |           | 6.0               |           | 6.5               |           | 7.5               |           | 8.0               |           |
| DIM P PLUG STACK HEIGHT | mm  | DIM M FULLY MATED             | DIM M MAX | DIM M FULLY MATED | DIM M MAX | DIM M FULLY MATED | DIM M MAX | DIM M FULLY MATED | DIM M MAX | DIM M FULLY MATED | DIM M MAX |
|                         | 2.0 | 7.00                          | 7.74      | 8.00              | 8.74      | 8.50              | 9.24      | 9.50              | 10.24     | 10.00             | 10.74     |
|                         | 2.5 | 7.50                          | 8.24      | 8.50              | 9.24      | 9.00              | 9.74      | 10.00             | 10.74     | 10.50             | 11.24     |
|                         | 3.0 | 8.00                          | 8.74      | 9.00              | 9.74      | 9.50              | 10.24     | 10.50             | 11.24     | 11.00             | 11.74     |
|                         | 3.5 | 8.50                          | 9.24      | 9.50              | 10.24     | 10.00             | 10.74     | 11.00             | 11.74     | 11.50             | 12.24     |
|                         | 4.5 | 9.50                          | 10.24     | 10.50             | 11.24     | 11.00             | 11.74     | 12.00             | 12.74     | 12.50             | 13.24     |
|                         | 5.0 | 10.00                         | 10.74     | 11.00             | 11.74     | 11.50             | 12.24     | 12.50             | 13.24     | 13.00             | 13.74     |
|                         | 7.0 | 12.00                         | 12.74     | 13.00             | 13.74     | 13.50             | 14.24     | 14.50             | 15.24     | 15.00             | 15.74     |
|                         | 9.0 | 14.00                         | 14.74     | 15.00             | 15.74     | 15.50             | 16.24     | 16.50             | 17.24     | 17.00             | 17.74     |

MATED STACK HEIGHTS  
GIVEN IN MILLIMETERS (mm) FOR REFERENCE ONLY

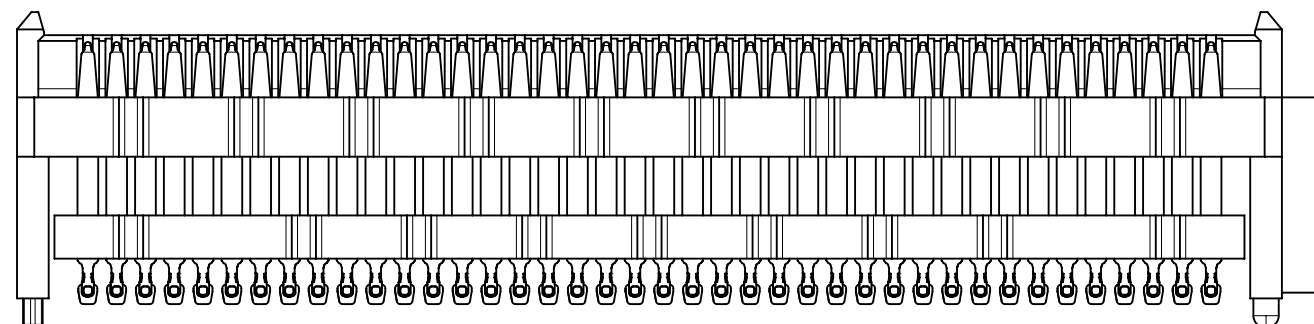
|         |   |       |  |           |   |                |          |              |                 |  |
|---------|---|-------|--|-----------|---|----------------|----------|--------------|-----------------|--|
| SYMBOLS | THIS DRAWING CONTAINS INFORMATION THAT IS PROPRIETARY TO MOLEX ELECTRONIC TECHNOLOGIES, LLC AND SHOULD NOT BE USED WITHOUT WRITTEN PERMISSION |       |  |           |   |                |          |              |                 |  |
|         | DIMENSION UNITS   |       | SCALE  |           | CURRENT REV DESC: SEE REV TABLE SHT 7   |                |          |              |                 |  |
|         | mm  |       | 1:1  |           | <b>molex</b><br>SEARAY<br>PLUG ASSEMBLY 1.27/.050 CENTERS<br>PRODUCT CUSTOMER DRAWING |                |          |              |                 |  |
|         | GENERAL TOLERANCES (UNLESS SPECIFIED)   |       |  |           |   |                |          |              |                 |  |
|         | ANGULAR TOL ± °   |       | EC NO: 617843  |           | DRWN: PMAHADEVAPPA 2019/05/24   |                |          |              |                 |  |
|         | 4 PLACES ±  |       | CHK'D: DMCGOWAN 2019/05/24                           |           | APPR: DMCGOWAN 2019/05/24   |                |          |              |                 |  |
|         | 3 PLACES ±  |       | INITIAL REVISION:                                    |           | DRWN: TGREGORI 2006/01/25   |                |          |              |                 |  |
|         | 2 PLACES ± 0.25   |       | APPR: JCOMERCI 2006/01/30                            |           | DOCUMENT NUMBER   |                | DOC TYPE | DOC PART     | REVISION        |  |
|         | 1 PLACE ± 0.38  |       | DRAFT WHERE APPLICABLE MUST REMAIN WITHIN DIMENSIONS |           | SD-45970-001  |                | PSD      | 001          | T6              |  |
|         | 0 PLACES ±  |       | THIRD ANGLE PROJECTION                               |           | DRAWING   |                | SERIES   |              | MATERIAL NUMBER |  |
| B-SIZE  |   | 45970 |  | SEE CHART |   | GENERAL MARKET |          | SHEET NUMBER |                 |  |
| 5 OF 7  |   |       |  |           |   |                |          |              |                 |  |

| ROWS: 8 DIMENSION C = 12.14/.478 |             |             |             |             |             |             |             |             |
|----------------------------------|-------------|-------------|-------------|-------------|-------------|-------------|-------------|-------------|
| DIM P:                           |             | 2.0 mm      | 3.0 mm      | 3.5 mm      | 2.5 mm      | 4.5 mm      | 5.0 mm      | 7.0 mm      |
| DIM H:                           |             | 5.61/.221   | 6.60/.260   | 7.11/.280   | 6.12/.241   | 8.10/.319   | 8.61/.339   | 10.61/.418  |
| DIM S:                           |             | 5.86/.231   | 6.85/.270   | 7.36/.290   | 6.37/.251   | 8.35/.329   | 8.86/.349   | 10.86/.428  |
| POSITION                         | DIM G       | MATERIAL NO | MATERIAL NO | MATERIAL NO | MATERIAL NO | MATERIAL NO | MATERIAL NO | MATERIAL NO |
| 10                               | 17.69/0.698 | 45970-1185  | 45970-1285  | 45970-1385  | 45970-1485  | 45970-1585  | 45970-1685  | 45970-1785  |
| 20                               | 30.39/1.198 | 45970-2185  | 45970-2285  | 45970-2385  | 45970-2485  | 45970-2585  | 45970-2685  | 45970-2785  |
| 30                               | 43.09/1.698 | 45970-3185  | 45970-3285  | 45970-3385  | 45970-3485  | 45970-3585  | 45970-3685  | 45970-3785  |
| 40                               | 55.79/2.198 | 45970-4185  | 45970-4285  | 45970-4385  | 45970-4485  | 45970-4585  | 45970-4685  | 45970-4785  |
| 50                               | 68.49/2.698 | 45970-5185  | 45970-5285  | 45970-5385  | 45970-5485  | 45970-5585  | 45970-5685  | 45970-5785  |
| 15                               | 24.04/0.948 | 45970-6185  | 45970-6285  | 45970-6385  | 45970-6485  | 45970-6585  | 45970-6685  | 45970-6785  |
| 25                               | 36.74/1.448 | 45970-7185  | 45970-7285  | 45970-7385  | 45970-7485  | 45970-7585  | 45970-7685  | 45970-7785  |
| 35                               | 49.44/1.948 | 45970-8185  | 45970-8285  | 45970-8385  | 45970-8485  | 45970-8585  | 45970-8685  | 45970-8785  |
| 45                               | 62.14/2.448 | 45970-9185  | 45970-9285  | 45970-9385  | 45970-9485  | 45970-9585  | 45970-9685  | 45970-9785  |

| ROWS: 10 DIMENSION C = 14.68/.578 |             |             |             |             |             |             |             |             |             |             |
|-----------------------------------|-------------|-------------|-------------|-------------|-------------|-------------|-------------|-------------|-------------|-------------|
| DIM P:                            |             | 2.0 mm      | 3.0 mm      | 3.5 mm      | 2.5 mm      | 4.5 mm      | 5.0 mm      | 7.0 mm      | 9.0 mm      | 9.0 mm      |
| DIM H:                            |             | 5.61/.221   | 6.60/.260   | 7.11/.280   | 6.12/.241   | 8.10/.319   | 8.61/.339   | 10.61/.418  | 12.62/.497  | 12.62/.497  |
| DIM S:                            |             | 5.86/.231   | 6.85/.270   | 7.36/.290   | 6.37/.251   | 8.35/.329   | 8.86/.349   | 10.86/.428  | 12.87/.507  | 12.87/.507  |
| POSITION                          | DIM G       | MATERIAL NO | MATERIAL NO | MATERIAL NO | MATERIAL NO | MATERIAL NO | MATERIAL NO | MATERIAL NO | MATERIAL NO | MATERIAL NO |
| 10                                | 17.69/0.698 | 45970-1115  | 45970-1215  | 45970-1315  | 45970-1415  | 45970-1515  | 45970-1615  | 45970-1715  | 45970-1915  |             |
| 20                                | 30.39/1.198 | 45970-2115  | 45970-2215  | 45970-2315  | 45970-2415  | 45970-2515  | 45970-2615  | 45970-2715  | 45970-2915  |             |
| 30                                | 43.09/1.698 | 45970-3115  | 45970-3215  | 45970-3315  | 45970-3415  | 45970-3515  | 45970-3615  | 45970-3715  | 45970-3915  |             |
| 40                                | 55.79/2.198 | 45970-4115  | 45970-4215  | 45970-4315  | 45970-4415  | 45970-4515  | 45970-4615  | 45970-4715  | 45970-4915  | 45970-4916  |
| 50                                | 68.49/2.698 | 45970-5115  | 45970-5215  | 45970-5315  | 45970-5415  | 45970-5515  | 45970-5615  | 45970-5715  | 45970-5915  | 45970-5916  |
| 15                                | 24.04/0.948 | 45970-6115  | 45970-6215  | 45970-6315  | 45970-6415  | 45970-6515  | 45970-6615  | 45970-6715  | 45970-6915  |             |
| 25                                | 36.74/1.448 | 45970-7115  | 45970-7215  | 45970-7315  | 45970-7415  | 45970-7515  | 45970-7615  | 45970-7715  | 45970-7915  |             |
| 35                                | 49.44/1.948 | 45970-8115  | 45970-8215  | 45970-8315  | 45970-8415  | 45970-8515  | 45970-8615  | 45970-8715  | 45970-8915  |             |
| 45                                | 62.14/2.448 | 45970-9115  | 45970-9215  | 45970-9315  | 45970-9415  | 45970-9515  | 45970-9615  | 45970-9715  | 45970-9915  |             |

MATING STACK HEIGHTS (DIMENSION P)  
GIVEN IN MILLIMETERS (mm) FOR REFERENCE ONLY

9.0mm PLUG WITH ALIGNER  
45970-4916 SHOWN



|  |   |                        |   |        |                 |                |              |
|--|---|------------------------|---|--------|-----------------|----------------|--------------|
| <b>SYMBOLS</b><br>▽ = 0<br>▽ = 0<br>▽ = 0<br>▽ = 0<br>▽ = 0<br>▽ = 0<br>▽ = 0<br>▽ = 0<br>▽ = 0<br>▽ = 0 | THIS DRAWING CONTAINS INFORMATION THAT IS PROPRIETARY TO MOLEX ELECTRONIC TECHNOLOGIES, LLC AND SHOULD NOT BE USED WITHOUT WRITTEN PERMISSION |                        | CURRENT REV DESC: SEE REV TABLE SHT 7   |        |                 |                |              |
|  | DIMENSION UNITS   | SCALE                  | <b>molex</b><br>SEARAY<br>PLUG ASSEMBLY 1.27/.050 CENTERS<br>PRODUCT CUSTOMER DRAWING                     |        |                 |                |              |
|  | mm  | 3:1                    |   |        |                 |                |              |
|  | GENERAL TOLERANCES (UNLESS SPECIFIED)   |                        | EC NO: 617843<br>DRWN: PMAHADEVAPPA 2019/05/24<br>CHK'D: DMCGOWAN 2019/05/24<br>APPR: DMCGOWAN 2019/05/24 |        |                 |                |              |
|  | ANGULAR TOL   | ± °                    | INITIAL REVISION:   |        |                 |                |              |
|  | 4 PLACES  | ±                      | DRWN: TGREGORI 2006/01/25   |        |                 |                |              |
|  | 3 PLACES  | ±                      | APPR: JCOMERCI 2006/01/30   |        |                 |                |              |
|  | 2 PLACES  | ± 0.25                 | DOCUMENT NUMBER   |        |                 |                |              |
|  | 1 PLACE   | ± 0.38                 | SD-45970-001  |        |                 |                |              |
|  | 0 PLACES  | ±                      | DOC TYPE   DOC PART   REVISION  |        |                 |                |              |
| DRAFT WHERE APPLICABLE MUST REMAIN WITHIN DIMENSIONS   |   | THIRD ANGLE PROJECTION | DRAWING   | SERIES | MATERIAL NUMBER | CUSTOMER       | SHEET NUMBER |
|  |   |                        | B-SIZE  | 45970  | SEE CHART       | GENERAL MARKET | 6 OF 7       |

F  
E  
D  
C  
B  
A

| REV | DATE       | DESCRIPTION  |
|-----|------------|--|
| T3  | 2017/03/28 | MIGRATED TO ECTR / NX  |
|     | 2017/06/09 | ADDED RECOMMENDED PCB LAYOUT FOR 8 ROW ASSEMBLIES ON SHEET 3, UPDATED VIEWS SHEET 1, SHIFTED TABLES TO NEXT SHEETS.  |
| T4  | 2018/10/03 | ADD PAD LOCATION DIMENSIONS ON SHEET 2, UPDATE MATING HEIGHT TABLE ON SHEET 5, ADD VERSIONS WITH ALIGNERS ON SHEET 6 |
| T5  | 2019/01/15 | UPDATE 8 ROW CHART ON SHEET 6  |
| T6  | 2019/05/20 | ADDED RECOMMENDED PCB LAYOUT FOR 10 ROW ASSEMBLIES ON SHEET 4, SHIFTED TABLES TO NEXT SHEETS.                        |

|  |   |  |       |                        |  |                 |  |               |  |  |
|--|---|--|-------|------------------------|--|-----------------|--|---------------|--|--|
| SYMBOLS  | THIS DRAWING CONTAINS INFORMATION THAT IS PROPRIETARY TO MOLEX ELECTRONIC TECHNOLOGIES, LLC AND SHOULD NOT BE USED WITHOUT WRITTEN PERMISSION |  |       |                        |  |                 |  |               |  |  |
|  | DIMENSION UNITS   |  | SCALE |                        | CURRENT REV DESC: SEE REV TABLE SHT 7  |                 |  |               |  |  |
|  | mm  |  | 1:1   |                        | EC NO: 617843<br>DRWN: PMAHADEVAPPA 2019/05/24<br>CHK'D: DMCGOWAN 2019/05/24<br>APPR: DMCGOWAN 2019/05/24<br>INITIAL REVISION:<br>DRWN: TGREGORI 2006/01/25<br>APPR: JCOMERCI 2006/01/30 |                 |  |               |  |  |
|  | GENERAL TOLERANCES (UNLESS SPECIFIED)   |  |       |                        |  |                 |  |               |  |  |
|  | ANGULAR TOL ± °   |  |       |                        |  |                 |  |               |  |  |
|  | 4 PLACES ±  |  |       |                        |  |                 |  |               |  |  |
|  | 3 PLACES ±  |  |       |                        | PRODUCT CUSTOMER DRAWING<br>DOCUMENT NUMBER: SD-45970-001   DOC TYPE: PSD   DOC PART: 001   REVISION: T6   |                 |  |               |  |  |
|  | 2 PLACES ± 0.25   |  |       |                        |  |                 |  |               |  |  |
|  | 1 PLACE ± 0.38  |  |       |                        | MATERIAL NUMBER: SEE CHART   CUSTOMER: GENERAL MARKET   SHEET NUMBER: 7 OF 7   |                 |  |               |  |  |
|  | 0 PLACES ±  |  |       |                        |  |                 |  |               |  |  |
| DRAFT WHERE APPLICABLE MUST REMAIN WITHIN DIMENSIONS |   |  |       | THIRD ANGLE PROJECTION |  | DRAWING: B-SIZE |  | SERIES: 45970 |  |  |
| ▽ = 0  |   |  |       |                        |  |                 |  |               |  |  |

**molex**

SEARAY  
PLUG ASSEMBLY 1.27/1.050 CENTERS

SD-45970-001 PSD 001 T6