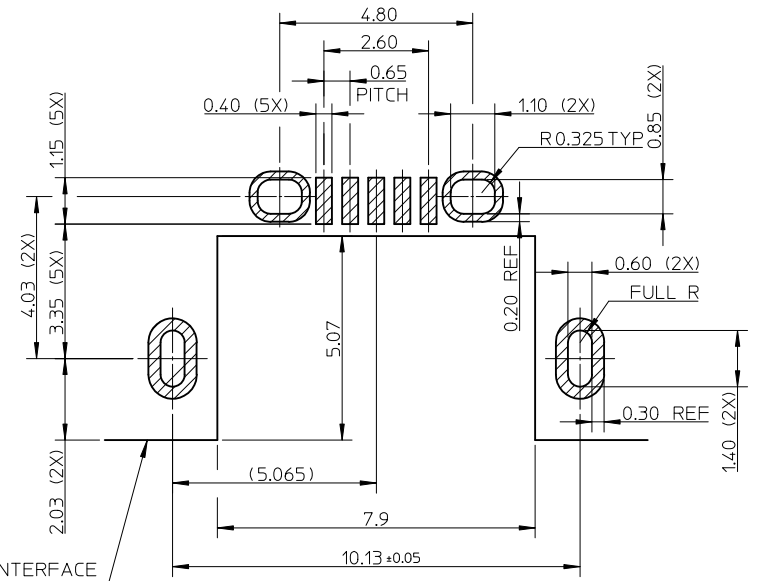
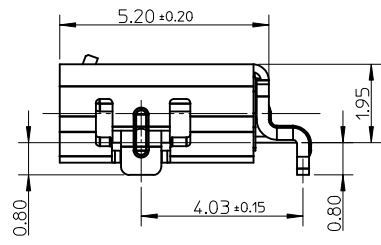
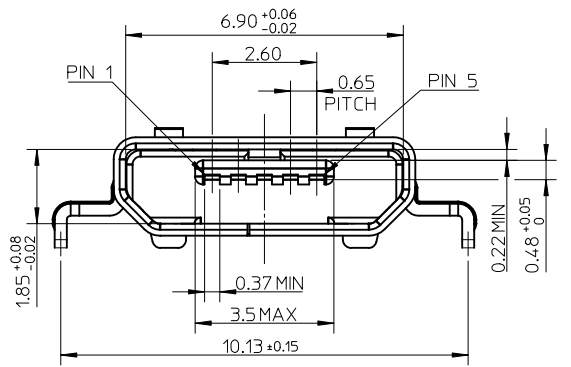
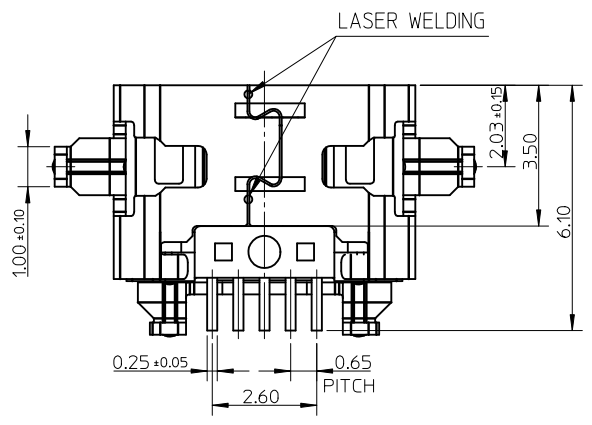


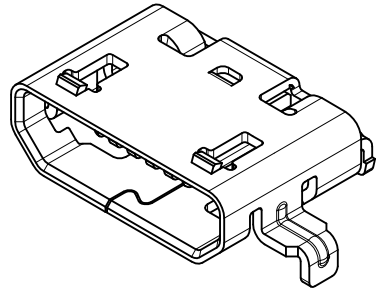
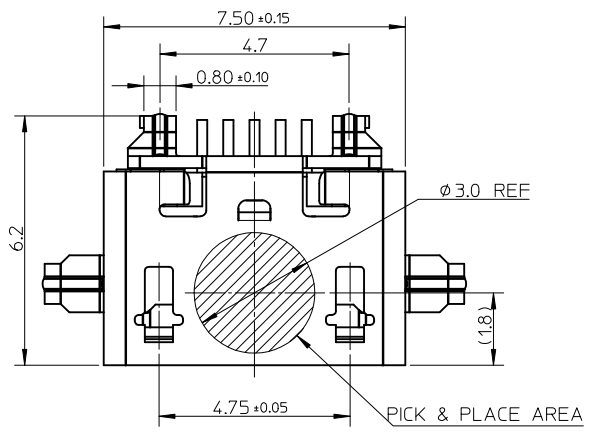
- NOTES:
- MATERIAL:
 - HOUSING: LCP, BLACK, UL94V-0;
 - TERMINAL: COPPER ALLOY, THICKNESS: 0.15mm;
 - SHELL: STAINLESS STEEL, THICKNESS: 0.30mm.
 - PLATING:
 - TERMINAL: CONTACT AREA: GOLD FLASH OVER MINIMUM 0.75 MICRON Pd/Ni;
 - SOLDER TAIL AREA: GOLD FLASH;
 - UNDER PLATING: NICKEL 2.0 MICROMN MINIMUM.
 - SHELL: 127 MICRON MATTE TIN;
 - UNDER PLATING: NICKEL 127 MICRON MINIMUM.
 - TAIL COPLANARITY 0.08mm MAXIMUM.
 - PRODUCT SPECIFICATION: PS-47642-001.
 - PACKAGING SPECIFICATION: PK-47654-001.
 - COMPLIANT TO RoHS DIRECTIVE 2002/95/EC AND ELV 2000/53/EC.



CONNECTOR FRONT INTERFACE & PCB FRONT EDGE
 RECOMMENDED PCB LAYOUT (Thickness=0.9mm)
 GENERAL TOLERANCE: ±0.05mm

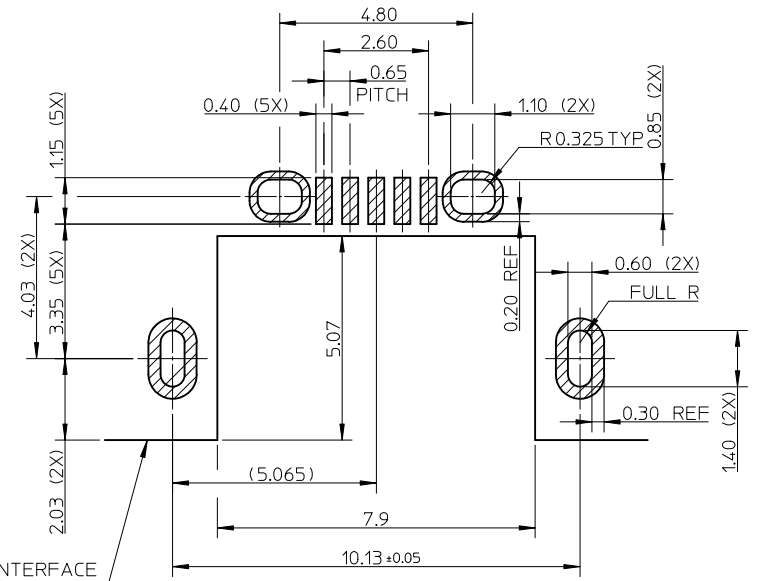
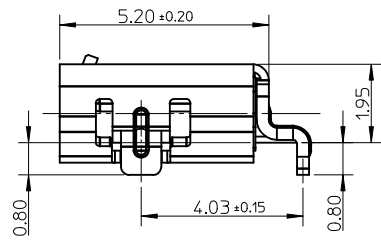
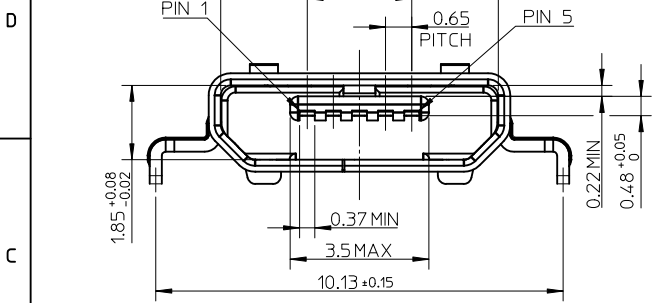


NEW RELEASE EC NO: SH2012-03999 DRWN:XQZHANG CHKD:XQZHANG APPR:AYIN	2012/06/01 2012/06/04 2012/06/11	DESCRIPTION REV	QUALITY SYMBOLS	GENERAL TOLERANCES (UNLESS SPECIFIED)	DIMENSION STYLE	SCALE	DESIGN UNITS	THIRD ANGLE PROJECTION	
			$F_A=0$ $F_G=0$ $F_P=0$	mm INCH	MM ONLY	1:1	METRIC	DRAWN BY: XQZHANG DATE: 2012/05/02 CHECKED BY: DATE: XQZHANG 2012/05/02 APPROVED BY: DATE: AYIN 2012/06/11	MICRO USB B REC. MID-MOUNT TYPE molex MATERIAL NO. 47665-111 DOCUMENT NO. SD-47665-111 SHEET NO. 1 OF 1
			4 PLACES ± --- ± --- 3 PLACES ± --- ± --- 2 PLACES ± 0.20 ± --- 1 PLACE ± 0.25 ± --- 0 PLACE ± --- ± ---	ANGULAR ± 3 °	DRAFT WHERE APPLICABLE MUST REMAIN WITHIN DIMENSIONS	SIZE A3 THIS DRAWING CONTAINS INFORMATION THAT IS PROPRIETARY TO MOLEX INCORPORATED AND SHOULD NOT BE USED WITHOUT WRITTEN PERMISSION			



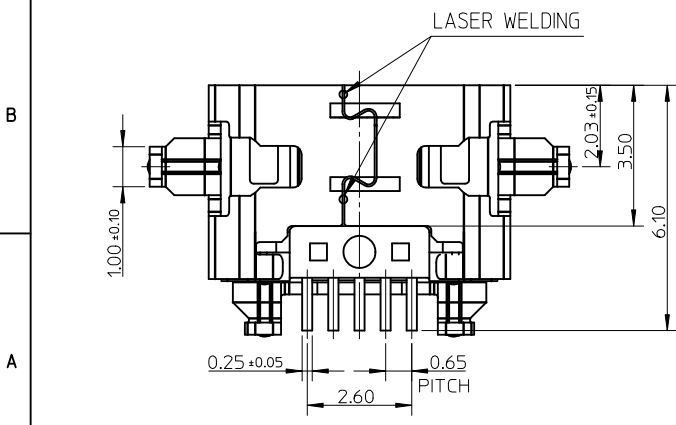
NOTES:

- MATERIAL:
 - HOUSING: LCP, BLACK, UL94V-0;
 - TERMINAL: COPPER ALLOY, THICKNESS: 0.15mm;
 - SHELL: STAINLESS STEEL, THICKNESS: 0.30mm.
- PLATING:
 - TERMINAL: CONTACT AREA: GOLD FLASH OVER MINIMUM 0.75 MICRON Pd/Ni;
 - SOLDER TAIL AREA: GOLD FLASH;
 - UNDER PLATING: NICKEL 2.0 MICROMN MINIMUM.
 - SHELL: 127 MICRON MATTE TIN;
 - UNDER PLATING: NICKEL 127 MICRON MINIMUM.
- TAIL COPLANARITY 0.08mm MAXIMUM.
- PRODUCT SPECIFICATION: PS-47642-001.
- PACKAGING SPECIFICATION: PK-47654-001.
- COMPLIANT TO RoHS DIRECTIVE 2002/95/EC AND ELV 2000/53/EC.



CONNECTOR FRONT INTERFACE & PCB FRONT EDGE

RECOMMENDED PCB LAYOUT (Thickness=0.9mm)
GENERAL TOLERANCE: ±0.05mm



<p>NEW RELEASE EC NO: SH2012-0399 DRWN:XQZHANG CHKD:XQZHANG APPR:AYIN</p>	<p>DESCRIPTION 2012/06/01 2012/06/04 2012/06/11</p>	QUALITY SYMBOLS	GENERAL TOLERANCES (UNLESS SPECIFIED)		DIMENSION STYLE		SCALE	DESIGN UNITS	THIRD ANGLE PROJECTION		
			mm	INCH	MM ONLY		1:1	METRIC			
		▽ _A =0	4 PLACES ± --- ± ---	mm	INCH	DRAWN BY	DATE	TITLE			
		▽ _B =0	3 PLACES ± --- ± ---			CHECKED BY	DATE	MICRO USB B REC. MID-MOUNT TYPE			
		▽ _C =0	2 PLACES ± 0.20 ± ---			APPROVED BY	DATE				
▽ _D =0	1 PLACE ± 0.25 ± ---			AYIN	2012/06/11	molex MATERIAL NO. 47665-111 DOCUMENT NO. SD-47665-111 SHEET NO. 1 OF 1					
	0 PLACE ± --- ± ---										
DRAFT WHERE APPLICABLE MUST REMAIN WITHIN DIMENSIONS			ANGULAR ± 3°		SIZE A3		THIS DRAWING CONTAINS INFORMATION THAT IS PROPRIETARY TO MOLEX INCORPORATED AND SHOULD NOT BE USED WITHOUT WRITTEN PERMISSION				