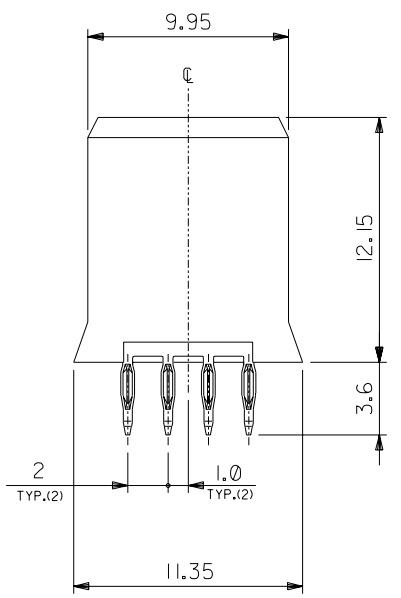
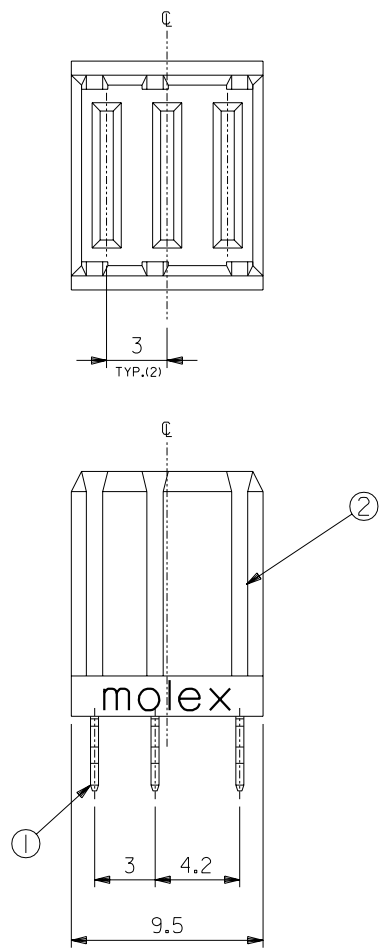
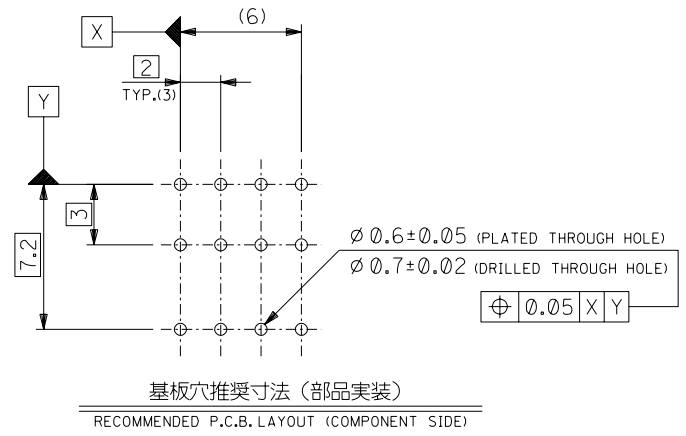


DWG. NO. SD-54745-004



番号 No.	部品 PART NAME	材質 MATERIAL	仕上げ FINISH
①	リセプタクル ハウジング RECEPTACLE HOUSING	液晶ポリマー、ガラス充填、自然色(白)、UL94V-0 LCP, GLASS FILLED, NATURAL(WHITE), UL94V-0	—
②	リセプタクル ターミナル RECEPTACLE TERMINAL	りん青銅 PHOSHOR BRONZE	⚠



注記  
NOTES

- ⚠ ターミナルめっき仕様  
TERMINAL PLATING  
金めっき (接点部) : 1.27 MICROMETER MIN.  
GOLD (CONTACT AREA): 1.27 MICROMETER MIN.  
錫めっき (プレスフィット部) : 0.5 MICROMETER MIN.  
TIN (PRESS-FIT AREA): 0.5 MICROMETER MIN.  
ニッケルめっき (下地めっき) : 1.3 MICROMETER MIN.  
NICKEL (UNDER PLATING): 1.3 MICROMETER MIN.
- 2. 本製品は 54745-0310 の鉛フリー品である。  
THIS PRODUCT IS LEAD FREE OF 54745-0310.

DO NOT SCALE DRAWING

EC NO. DRWN: CHK: APPR:	EC NO. DRWN: CHK: APPR:	EC NO. DRWN: CHK: APPR:	EC NO. DRWN: CHK: APPR:	EC NO. J2004-4195 DRWN: T.UENO CHK: M.SASAO APPR: M.SASAO	RELEASED 04/05/2	MATERIAL 材料 —	FINISH 仕上げ —	WIRE RANGE 適用線径範囲 —	INS. RANGE 被覆外径 —	GENERAL TOLERANCES: (UNLESS SPECIFIED) 一般公差 10 UNDER 未滿 ±0.2 10 OVER 30 UNDER 未滿 ±0.25 30 OVER 以上 ±0.3	SCALE 4-1	DESIGN UNITS <input checked="" type="checkbox"/> mm <input type="checkbox"/> INCH	THIRD ANGLE PROJECTION <input type="checkbox"/> mm <input type="checkbox"/> INCH <input checked="" type="checkbox"/> mm ONLY	SHT REV	REVISE ON CAD ONLY		
DRAWN BY & DATE T.UENO '04/05/12										TITLE: "MZP" B/B CONN. RECEPTACLE POWER ASS'Y -LEAD FREE-							
CHECKED BY & DATE M.SASAO '04/05/12										MOLEX MOLEX INCORPORATED							
APPROVED BY & DATE M.SASAO '04/05/12										CAD FILENAME SD-54745-004.S01		MATERIAL NO. SEE TABLE		DRAWING NO. SD-54745-004		SHEET NO. 1 OF 1	
THIS DRAWING CONTAINS INFORMATION THAT IS PROPRIETARY TO MOLEX INCORPORATED AND SHOULD NOT BE USED WITHOUT WRITTEN PERMISSION.														SIZE B			

SD-54745-004.S01