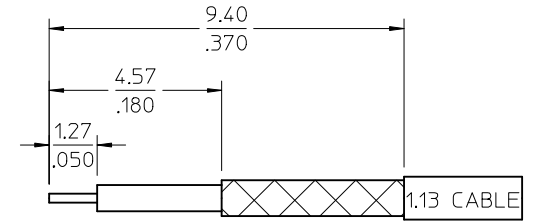
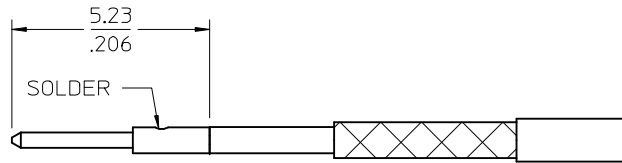
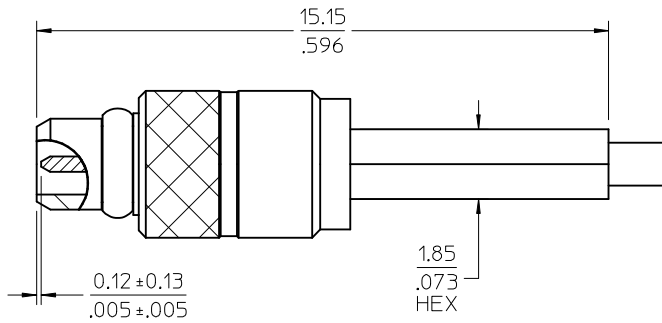
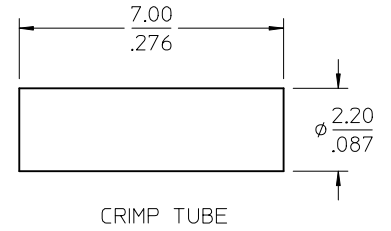
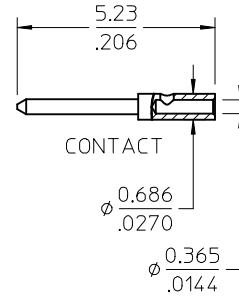
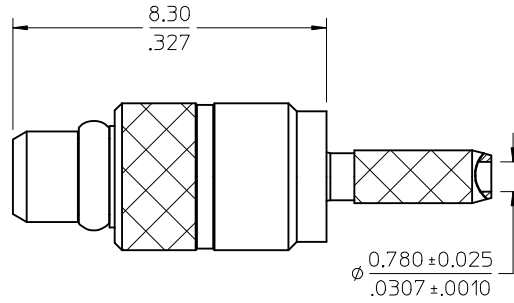
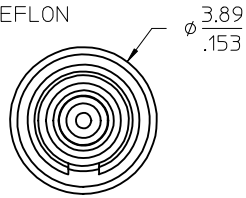
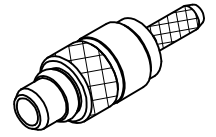


MATERIALS AND FINISHES

BODY, CONTACT, CRIMP TUBE: BRASS
PLATED GOLD

RING: BERYLLIUM COPPER
PLATED: GOLD

INSULATOR: TEFLON



73415-2253	BODY,CONTACT,RING,TUBE,(1~3)μ" / BULK PACK
73415-2252	1 PIECE 73415-2251 IN SINGLE BAG WITH LABEL
73415-2251	BODY,RING,TUBE (1~3), CONTACT(10~30)μ" / BULK PACK
73415-2250	PER MILITARY REQUIREMENTS / BULK PACK
PART NO.	PLATING AND PACKING

CHG: UPDATE VIEW FOR CONTACT FOR CONTACT Ø.365 WAS Ø.397
 EC NO: URF2013-0440
 DRWN:JWIENER 2013/01/30
 CHKD:SSS 2013/01/30
 APPR:JWIENER 2013/01/30
 B2

QUALITY SYMBOLS
 ▽=0
 ▽=0
 GENERAL TOLERANCES (UNLESS SPECIFIED)
 4 PLACES ± --- ± ---
 3 PLACES ± --- ± ---
 2 PLACES ± --- ± ---
 1 PLACE ± --- ± ---
 ANGULAR ± 2 °
 DRAFT WHERE APPLICABLE MUST REMAIN WITHIN DIMENSIONS

PS-89675-1920	PRODUCT SPECIFICATION
CECC-22-340	INTERFACE
SPECIFICATION	DESCRIPTION
DIMENSION STYLE MM/IN	SCALE DESIGN UNITS METRIC
DRAWN BY JWIENER	DATE 2010/02/18
CHECKED BY SSS	DATE 2010/02/18
APPROVED BY JWIENER	DATE 2010/02/18
MATERIAL NO. SEE TABLE	DOCUMENT NO. SD-73415-225
TITLE MMCX PLUG ,STR. 50 OHMS FOR 1.13 CABLE MMCX-PC	
MOLEX MOLEX INCORPORATED	
SHEET NO. 1 OF 1	
THIS DRAWING CONTAINS INFORMATION THAT IS PROPRIETARY TO MOLEX INCORPORATED AND SHOULD NOT BE USED WITHOUT WRITTEN PERMISSION	