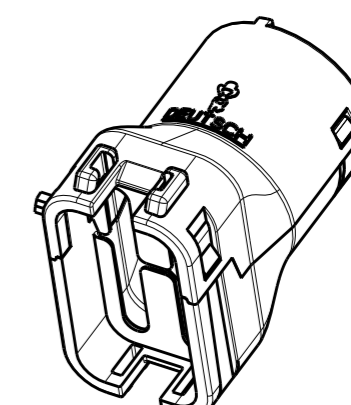
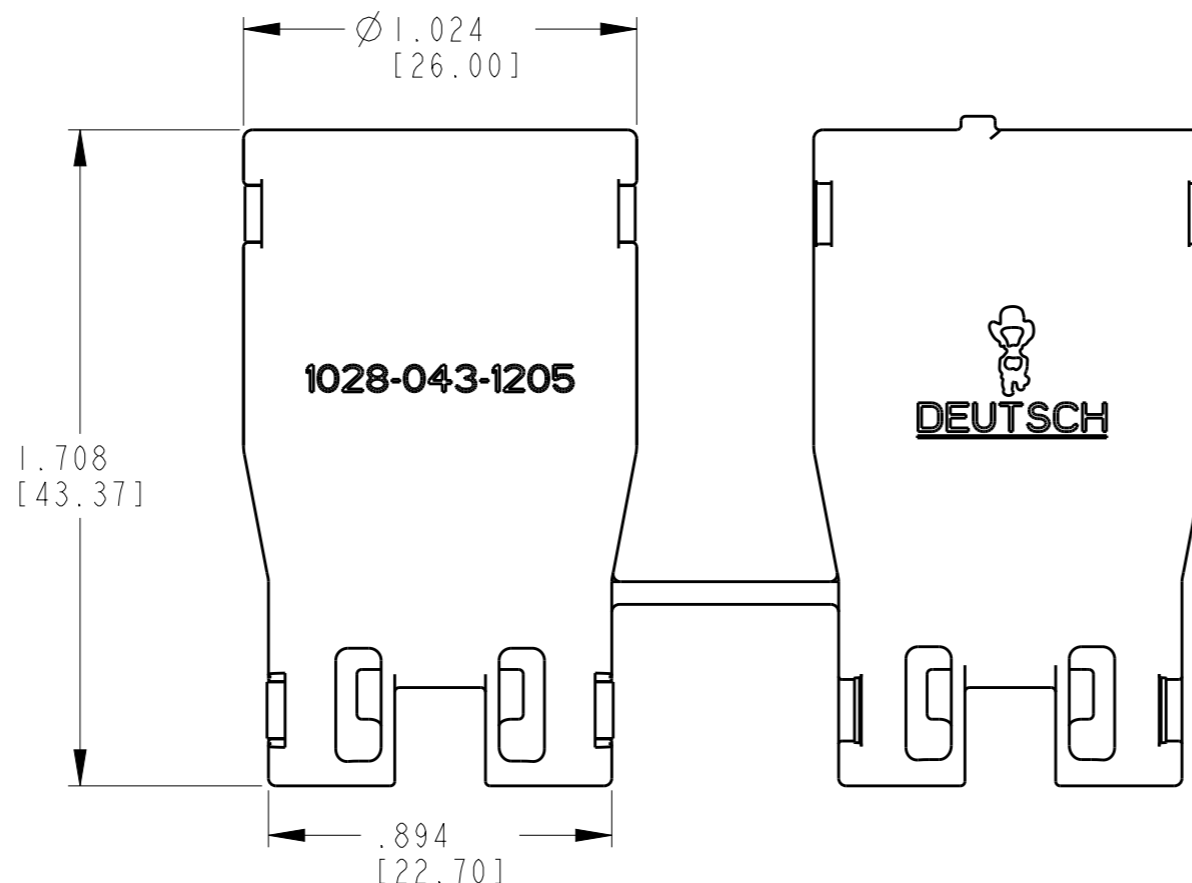


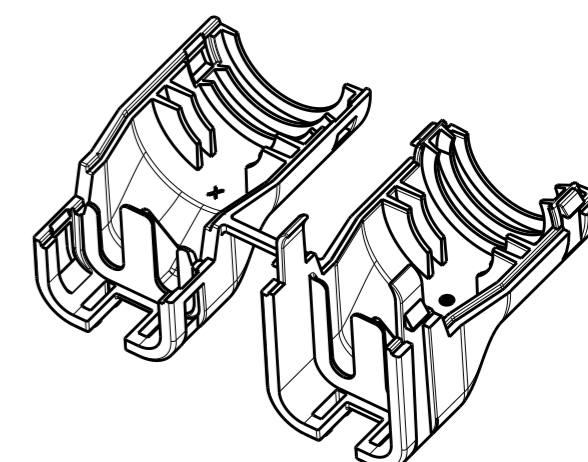
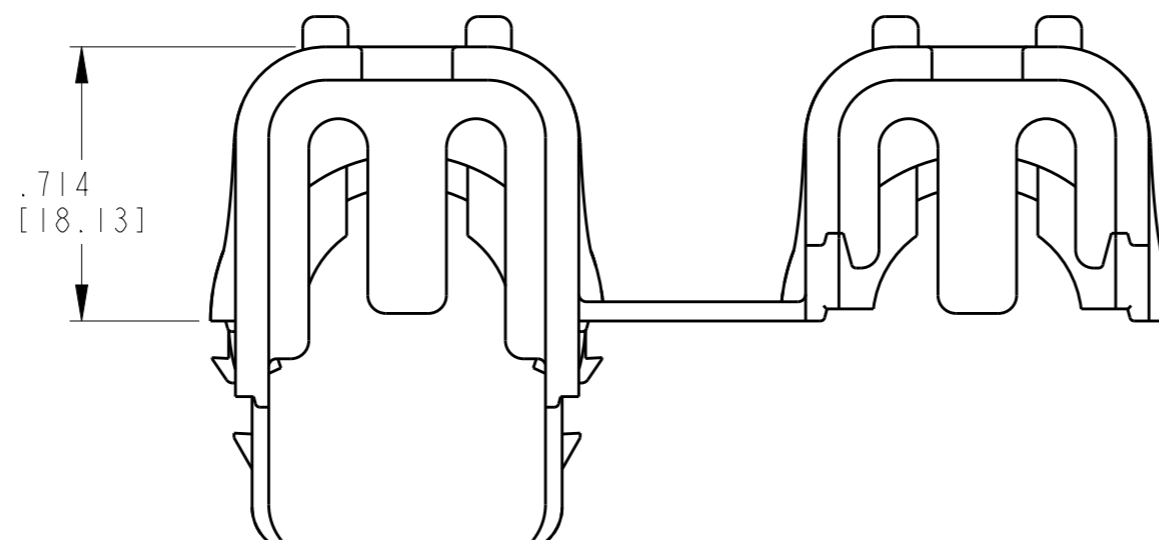
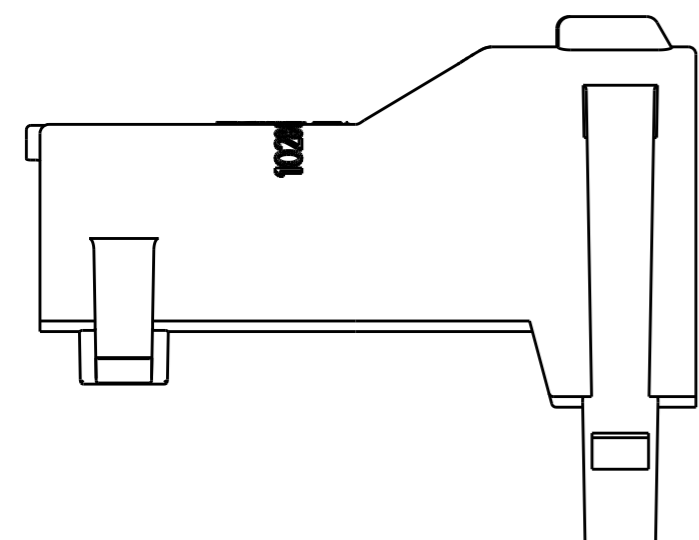
THIS DRAWING IS UNPUBLISHED
 RELEASED FOR PUBLICATION 2018
 © COPYRIGHT 2018 BY -TE CONNECTIVITY ALL RIGHTS RESERVED.

REVISIONS

P	LTR	DESCRIPTION	DATE	DWN	APVD
	A	REVISED PER PCN E-18-000064	02JAN2018	SS	DM



3-D VIEW
CLOSED




3-D VIEW
OPEN

TE INTERNAL PN	DEUTSCH PN
1028-043-1205	1028-043-1205

2. THIS PART ACCOMMODATES CORRUGATED TUBING SIZES NW 13 & 17.

1. THIS PART MATES WITH DT06-12SX-XXXX PLUG WITH ANY MODIFICATION THAT DOES NOT INCLUDE AN END CAP. (X = KEY ARR. A,B,C,D; XXXX = MODIFICATION)

NOTES:

THIS DRAWING IS A CONTROLLED DOCUMENT.		DWN R. MESSENGER 17FEB2009	 TE Connectivity		
DIMENSIONS: INCHES [mm]		CHK B. BYFORD 23FEB2010			
TOLERANCES UNLESS OTHERWISE SPECIFIED:		APVD S. BEARD 19FEB2010	NAME BACK SHELL 12 PIN PLUG DT SERIES		
0 PLC ± 1 PLC ± 2 PLC ± 3 PLC ±.025 [0.64] 4 PLC ± ANGLES ±0°30'0"		PRODUCT SPEC -	RESTRICTED TO -		
MATERIAL PA66 (BLACK)		APPLICATION SPEC -	SIZE A3	CAGE CODE 4AFU8	DRAWING NO. 1028-043-1205
FINISH		WEIGHT 9.3 g	SCALE 1:1 SHEET 1 OF 1 REV A		
		CUSTOMER DRAWING			