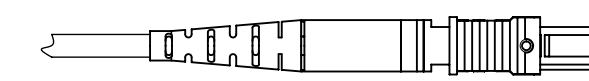
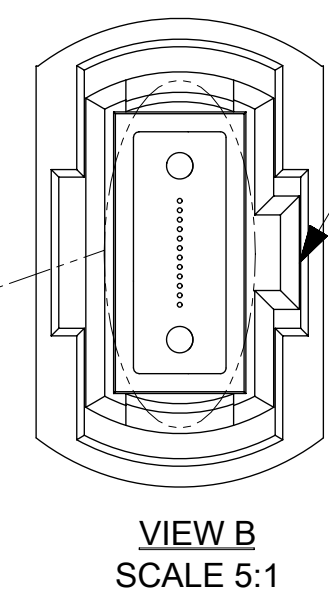
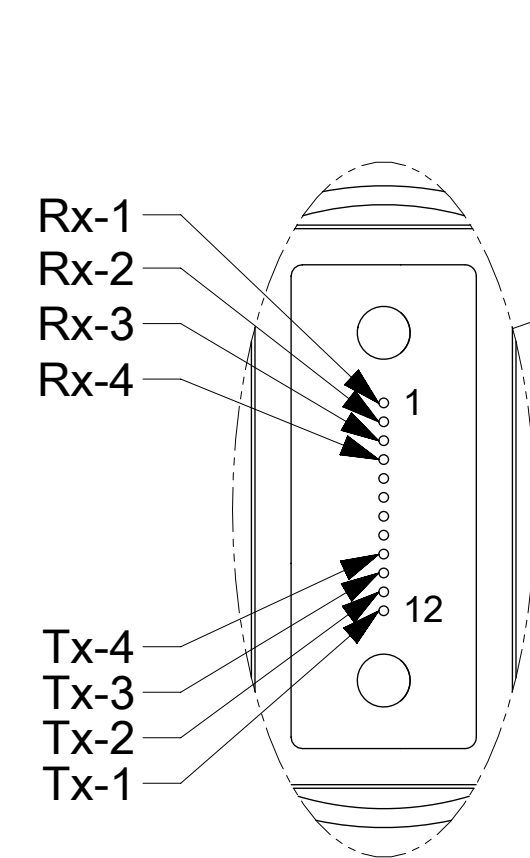


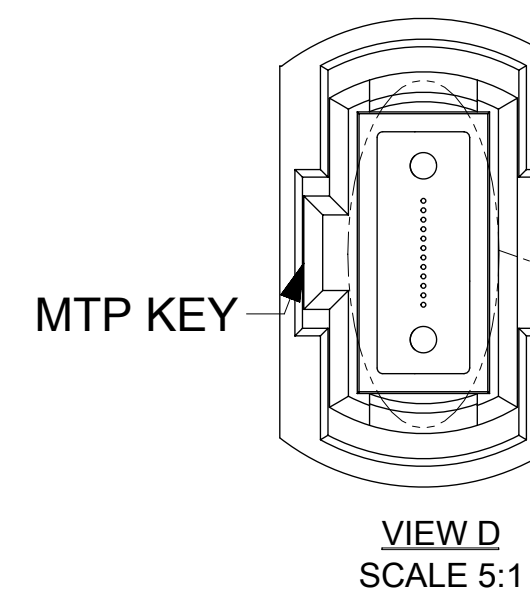
VIEW A



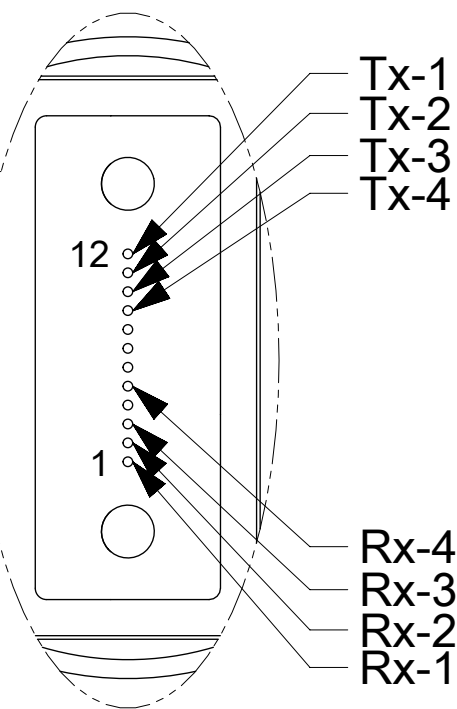
VIEW C



VIEW B
SCALE 5:1



VIEW D
SCALE 5:1



| OPTICAL CONNECTION | | | |
|--------------------|---------|-------|---------|
| FROM P1 | FIBER # | TO P2 | FIBER # |
| Rx-1 | 1 | Tx-1 | 12 |
| Rx-2 | 2 | Tx-2 | 11 |
| Rx-3 | 3 | Tx-3 | 10 |
| Rx-4 | 4 | Tx-4 | 9 |
| dummy | 5 | dummy | 8 |
| dummy | 6 | dummy | 7 |
| dummy | 7 | dummy | 6 |
| dummy | 8 | dummy | 5 |
| Tx-4 | 9 | Rx-4 | 4 |
| Tx-3 | 10 | Rx-3 | 3 |
| Tx-2 | 11 | Rx-2 | 2 |
| Tx-1 | 12 | Rx-1 | 1 |

NOTE:

CABLE ASSEMBLY SPECIFICATIONS:

OPTICAL PROPERTIES

FIBER TYPE MULTIMODE 50/125 μm BEND-INSENSITIVE
 CONNECTOR INSERTION LOSS MTP/LC (MAX.) 0.5/0.35 dB
 CABLE ATTENUATION (MAX.) 3.5/1.2 dB/km AT 850/1300 nm
 OVERFILLED LAUNCH BANDWIDTH, MIN. SEE TABLE 1

ENVIRONMENTAL PROPERTIES

CONNECTOR MATERIALS UL94 V-0
 CABLE FLAMMABILITY RATING PLENUM OFNP (NFPA262/UL 910)
 OPERATING TEMPERATURE RANGE -0°C TO +70°C

MECHANICAL PROPERTIES

FIBER COUNT 4 Tx X 4 Rx
 CABLE MIN. BEND RADIUS
 SHORT TERM 45mm - SINGLE JACKET
 72mm - DUAL JACKET
 LONG TERM 20mm - SINGLE JACKET
 48mm - DUAL JACKET
 NO LOAD 10mm - SINGLE JACKET
 OR SUBUNIT OF DUAL JACKET
 CABLE COMPRESSION FORCE >3.5 N/mm


TABLE 1

| FIBER TYPE | OVERFILLED LAUNCH BANDWIDTH, MIN. (MHz-km) | | 10 GIGABIT ETHERNET LINK DISTANCE, MIN. (m) | | EFFECTIVE MODAL BANDWIDTH (MHz-km) |
|--------------------------|--|---------|---|---------|------------------------------------|
| | 850 nm | 1300 nm | 850 nm | 1300 nm | 850 nm |
| STANDARD BANDWIDTH (OM2) | 500 | 500 | 86 | --- | --- |
| HIGH BANDWIDTH (OM3) | 1500 | 500 | 300 | --- | 2000 |
| HIGH BANDWIDTH (OM4) | 3500 | 550 | 550 | --- | 4700 |

THIS DRAWING CONTAINS INFORMATION THAT IS PROPRIETARY TO MOLEX ELECTRONIC TECHNOLOGIES, LLC AND SHOULD NOT BE USED WITHOUT WRITTEN PERMISSION

| | | | | | |
|--|---------------------|---|--------------------------|----------------|--------------|
| DIMENSION UNITS mm | SCALE 1:1 | CURRENT REV DESC: | molex | | |
| GENERAL TOLERANCES (UNLESS SPECIFIED) | | EC NO: 743399 | | | |
| ANGULAR TOL ± 0.5° | 4 PLACES ± | DRWN: IGUMIN 2023/03/22 | PRODUCT CUSTOMER DRAWING | | |
| 3 PLACES ± | 2 PLACES ± | CHK'D: TTYBOR 2023/03/24 | DOCUMENT NUMBER | | |
| 2 PLACES ± | 1 PLACE ± | APPR: TTYBOR 2023/03/24 | DOC TYPE | | |
| 1 PLACE ± | 0 PLACES ± | INITIAL REVISION: DRWN: IGUMIN 2007/02/13 APPR: IGUMIN 2007/02/13 | DOC PART | | |
| DRAFT WHERE APPLICABLE MUST REMAIN WITHIN DIMENSIONS | | THIRD ANGLE PROJECTION | DRAWING | SERIES | REVISION |
| | | | D-SIZE | 106283 | E12 |
| | | | MATERIAL NUMBER | CUSTOMER | SHEET NUMBER |
| | | | SEE TABLE | GENERAL MARKET | 1 OF 2 |

| STANDARD BANDWIDTH (OM2 FIBER) | | | HIGH BANDWIDTH (OM3 FIBER) | | | HIGH BANDWIDTH (OM4 FIBER) | | | OVERALL LENGTH L (m) |
|--------------------------------|------------------------|------------------|----------------------------|----------------------|------------------|----------------------------|----------------------|------------------|----------------------|
| ASSY P/N | CABLE JACKET COLOR | CONN. BODY COLOR | ASSY P/N | CABLE JACKET COLOR | CONN. BODY COLOR | ASSY P/N | CABLE JACKET COLOR | CONN. BODY COLOR | |
| TBD | ORANGE (SINGLE JACKET) | BLACK | 1062831000 | AQUA (SINGLE JACKET) | AQUA | 1062837501 | AQUA (SINGLE JACKET) | AQUA | 0.5 +0.1/-0 |
| 1062830001 | | | 1062831001 | | | 1062837001 | | | 1.0 +0.2/-0 |
| 1062830115 | | | 1062831115 | | | 1062837502 | | | 1.5+0.2/-0 |
| 1062830002 | | | 1062831002 | | | 1062837002 | | | 2.0 +0.2/-0 |
| 1062830125 | | | 1062831125 | | | 1062837503 | | | 2.5+0.2/-0 |
| 1062830003 | | | 1062831003 | | | 1062837003 | | | 3.0 +0.2/-0 |
| TBA | | | 1062831103 | | | TBA | | | 3.5 +0.2/-0 |
| 1062830004 | | | 1062831004 | | | 1062837004 | | | 4.0 +0.2/-0 |
| 1062830005 | | | 1062831005 | | | 1062837005 | | | 5.0 +0.2/-0 |
| 1062830006 | | | 1062831006 | | | 1062837006 | | | 6.0 +0.2/-0 |
| 1062830007 | | | 1062831007 | | | 1062837007 | | | 7.0 +0.2/-0 |
| 1062830008 | | | 1062831008 | | | 1062837008 | | | 8.0 +0.2/-0 |
| 1062830009 | | | 1062831009 | | | 1062837009 | | | 9.0 +0.2/-0 |
| 1062830010 | | | 1062831010 | | | 1062837010 | | | 10.0 +0.3/-0 |
| 1062830011 | | | 1062831011 | | | 1062837011 | | | 11.0 +0.3/-0 |
| 1062830012 | | | 1062831012 | | | 1062837012 | | | 12.0 +0.3/-0 |
| 1062830013 | | | 1062831013 | | | 1062837013 | | | 13.0 +0.3/-0 |
| 1062830014 | | | 1062831014 | | | 1062837014 | | | 14.0 +0.3/-0 |
| 1062830015 | | | 1062831015 | | | 1062837015 | | | 15.0 +0.3/-0 |
| 1062830016 | | | 1062831016 | | | 1062837016 | | | 16.0 +0.3/-0 |
| 1062830017 | | | 1062831017 | | | 1062837017 | | | 17.0 +0.3/-0 |
| 1062830018 | | | 1062831018 | | | 1062837018 | | | 18.0 +0.3/-0 |
| 1062830019 | | | 1062831019 | | | 1062837019 | | | 19.0 +0.3/-0 |
| 1062830020 | | | 1062831020 | | | 1062837020 | | | 20.0 +0.4/-0 |
| 1062830021 | | | 1062831021 | | | 1062837021 | | | 21.0 +0.4/-0 |
| 1062830022 | | | 1062831022 | | | 1062837022 | | | 22.0 +0.4/-0 |
| 1062830023 | | | 1062831023 | | | 1062837023 | | | 23.0 +0.4/-0 |
| 1062830024 | | | 1062831024 | | | 1062837024 | | | 24.0 +0.4/-0 |
| 1062830025 | | | 1062831025 | | | 1062837025 | | | 25.0 +0.5/-0 |
| 1062830026 | 1062831026 | 1062837026 | 26.0 +0.5/-0 | | | | | | |
| 1062830027 | 1062831027 | 1062837027 | 27.0 +0.5/-0 | | | | | | |
| 1062830028 | 1062831028 | 1062837028 | 28.0 +0.5/-0 | | | | | | |
| 1062830029 | 1062831029 | 1062837029 | 29.0 +0.5/-0 | | | | | | |
| 1062830030 | ORANGE (DUAL JACKET) | 1062831030 | 1062837030 | 30.0 +0.6/-0 | | | | | |
| 1062830035 | | 1062831035 | 1062837035 | 35.0 +0.7/-0 | | | | | |
| 1062830040 | | 1062831040 | 1062837040 | 40.0 +0.8/-0 | | | | | |
| 1062830045 | | 1062831045 | 1062837045 | 45.0 +0.9/-0 | | | | | |
| 1062830050 | | 1062831050 | 1062837050 | 50.0 +1.0/-0 | | | | | |
| | | 1062831055 | 1062837055 | 55.0 +1.1/-0 | | | | | |
| | | 1062831060 | 1062837060 | 60.0 +1.2/-0 | | | | | |
| | | 1062831065 | 1062837065 | 65.0 +1.3/-0 | | | | | |
| | | 1062831070 | 1062837070 | 70.0 +1.4/-0 | | | | | |
| | | 1062831075 | 1062837075 | 75.0 +1.5/-0 | | | | | |
| | | 1062831080 | 1062837080 | 80.0 +1.6/-0 | | | | | |
| | | 1062831085 | 1062837085 | 85.0 +1.7/-0 | | | | | |
| | | 1062831090 | 1062837090 | 90.0 +1.8/-0 | | | | | |
| | | 1062831095 | 1062837095 | 95.0 +1.9/-0 | | | | | |
| | | 1062831100 | 1062837100 | 100.0 +2.0/-0 | | | | | |
| | | 1062831120 | TBA | 120.0 +2.4/-0 | | | | | |
| | | 1062831150 | 1062837150 | 150.0 +3.0/-0 | | | | | |
| | 1062831300 | TBA | 300.0 +6.0/-0 | | | | | | |
| | TBA | 1062837400 | 400.0 +8.0/-0 | | | | | | |

| | | | | | | | | | | | |
|---|--|-------|--|---|--|---------|--|---|----------|-----------------------------------|--|
| THIS DRAWING CONTAINS INFORMATION THAT IS PROPRIETARY TO MOLEX ELECTRONIC TECHNOLOGIES, LLC AND SHOULD NOT BE USED WITHOUT WRITTEN PERMISSION | | | | | | | | | | | |
| DIMENSION UNITS | | SCALE | | CURRENT REV DESC: | | | |  | | | |
| mm | | 1:1 | | | | | | | | | |
| GENERAL TOLERANCES (UNLESS SPECIFIED) | | | | EC NO: 743399 DRWN: IGUMIN 2023/03/22 CHK'D: TTYBOR 2023/03/24 APPR: TTYBOR 2023/03/24 | | | | | | MOLEX QSFP OPTICAL CABLE ASSEMBLY | |
| ANGULAR TOL ± 0.5° | | | | | | | | | | | |
| 4 PLACES ± | | | | | | | | PRODUCT CUSTOMER DRAWING | | | |
| 3 PLACES ± | | | | DOCUMENT NUMBER SD-106283-00XX | | | | DOC TYPE | DOC PART | REVISION | |
| 2 PLACES ± | | | | | | | | PSD | 001 | E12 | |
| 1 PLACE ± | | | | INITIAL REVISION: DRWN: IGUMIN 2007/02/13 APPR: IGUMIN 2007/02/13 | | | | SERIES | CUSTOMER | SHEET NUMBER | |
| 0 PLACES ± | | | | | | | | D-D | 106283 | 2 OF 2 | |
| DRAFT WHERE APPLICABLE MUST REMAIN WITHIN DIMENSIONS | | | | THIRD ANGLE PROJECTION | | DRAWING | | MATERIAL NUMBER | | GENERAL MARKET | |